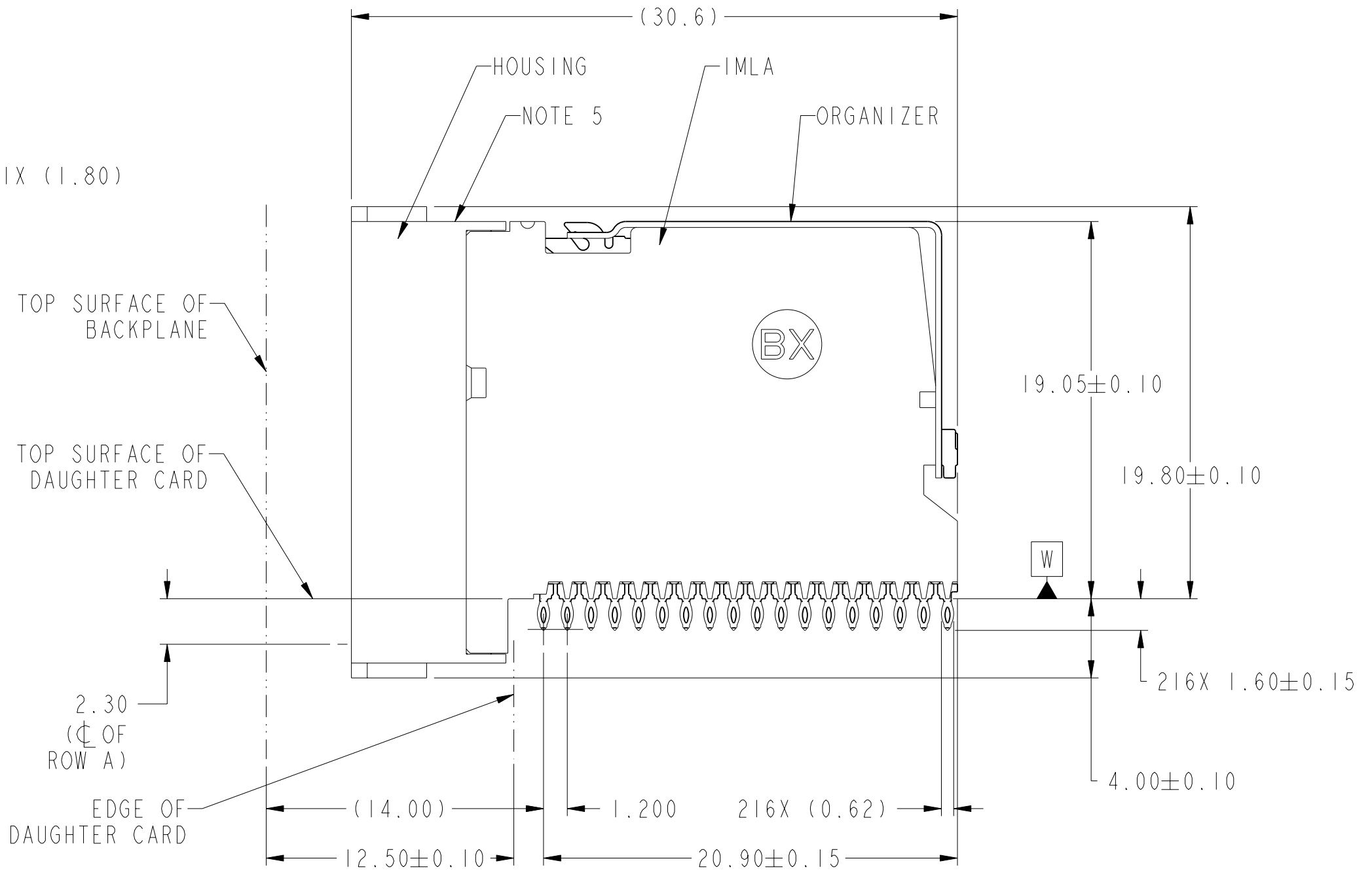
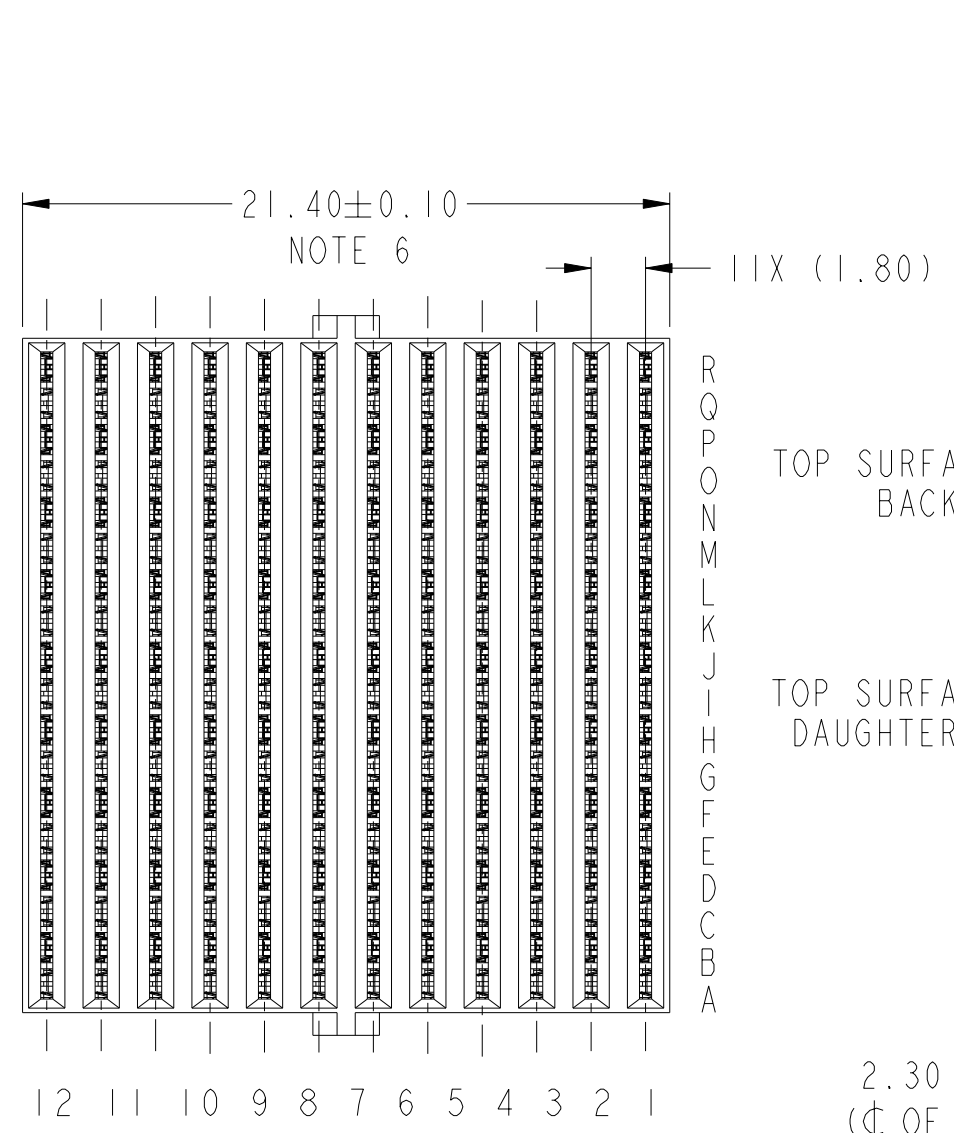


PRODUCT NUMBER
SEE SHEET 3



Copyright FCI.

rev	ecn no	dr	date
A	V08-0449	MRG	2008-10-15
-	-	-	-
-	-	-	-
-	-	-	-
-	-	-	-

www.fciconnect.com			surface - ✓	tolerance std	projection	MM
			TOLERANCES UNLESS OTHERWISE SPECIFIED			Scale 4:1
Dr	M. GRAY	2008-10-15	ANGULAR	LINEAR	0.X	±
Eng	M. GRAY	2008-10-15			0.XX	±
Chr	R. JOHNSON	2008-10-15	0°	±°	0.XXX	±
Appr	M. GRAY	2008-10-15	Product family		ZipLine	Spec ref ---
FCI			Title ZipLine R/A REC ASSY		Rev. A	
			6 PR, 12 IMLA, 1.8MM PITCH, 21.6MM, HP SPECIAL		dwg no 10088322	
			catalog no -		CUSTOMER sheet 1 of 3	

REV F - 2006-04-17

1

2

3

4

A

B

C

D

A

B

C

D

NOMINAL OUTLINE OF CONNECTOR

22.40 ± 0.15

17X 1.20

1.50 ± 0.10

(21.40)

21.60

NOTE 6

1.80

SEE NOTE 7

R
Q
P
O
N
M
L
K
J
I
H
G
F
E
D
C
B
A

12 11 10 9 8 7 6 5 4 3 2 1 12 11 10 9 8 7 6 5 4 3 2 1

RECOMMENDED PCB LAYOUT
FOR DIFFERENTIAL APPLICATIONS
COMPONENT SIDE
(TWO ADJACENT FOOTPRINTS SHOWN)
NOTES 6, 7, 8, & 12



Copyright FCI.

	Title	ZipLine R/A REC ASSY	dwg no	10088322	Rev.	A
		6 PR, 12 IMLA, 1.8MM PITCH, 21.6MM, HP SPECIAL				
	catalog no	-	CUSTOMER	sheet 2 of 3		

REV F - 2006-04-17

1

2

3

PDM: Rev:A

STATUS: Released

Printed: Dec 01, 2010

PRODUCT NUMBER	PRESS-FIT TAIL PLATING TYPE
10088322-101	TIN/LEAD ALLOY OVER NICKEL
10088322-101LF	TIN OVER NICKEL (LEAD FREE)

- ① - CONNECTOR MATERIALS:
HOUSING: HIGH TEMP THERMOPLASTIC, BLACK, UL94-V0
IMLA PLASTIC: HIGH TEMP THERMOPLASTIC, BLACK, UL94-V0
CONTACT: COPPER ALLOY
ORGANIZER: STAINLESS STEEL
- 2 - CONTACT PLATING:
SEPARABLE INTERFACE:
PERFORMANCE-BASED PLATING, QUALIFIED TO MEET THE REQUIREMENTS OF FCI PRODUCT SPECIFICATION GS-12-452 INCLUDING TELCORDIA GR-1217-CORE (NOVEMBER 1995) CENTRAL OFFICE TEST SEQUENCE
- PRESS-FIT TAILS: SEE TABLE
- 3 - PRODUCT SPECIFICATION: GS-12-452
- 4 - APPLICATION SPECIFICATION: GS-20-094
- ⑤ - PRODUCT MARKING, (PART NUMBER & LOT CODE), ON THIS SURFACE.
- ⑥ - THE MINIMUM CENTERLINE SPACING BETWEEN ADJACENT MODULES IS 21.6MM.
- ⑦ - THERE IS NO GROUND BUSSING WITHIN THE CONNECTOR EXCEPT FOR POSITIONS R2,R4,R6,R8,R10,& R12. THESE MUST BE ASSIGNED AS GROUNDS.

- ⑧ - REFER TO CUSTOMER DRAWING 10045979 FOR INFORMATION ON PCB HOLE DIAMETERS AND PLATING OPTIONS
- 9 - LEAD FREE PRODUCT MEETS THE EUROPEAN UNION DIRECTIVES & OTHER COUNTRY REGULATIONS AS DESCRIBED IN GS-22-008
- 10 - THE HOUSING WILL WITHSTAND EXPOSURE TO 260°C PEAK TEMPERATURE FOR 40 SECONDS IN A CONVECTION, INFRA-RED, OR VAPOR PHASE REFLOW OVEN.
- 11 - PACKAGING MEETS GS-14-920 LEAD FREE LABELING SPECIFICATION.
- ⑫ - THIS PRODUCT CONTAINS A CUSTOM LOAD PATTERN. THE DIFFERENTIAL PAIRS WITHIN COLUMNS HAS BEEN REVESED FROM STANDARD PRODUCT.



Copyright FCI.

	title ZipLine R/A REC ASSY 6 PR,12 IMLA,1.8MM PITCH,21.6MM, HP SPECIAL	dwg no 10088322	Rev. A
	catalog no -	CUSTOMER	sheet 3 of 3