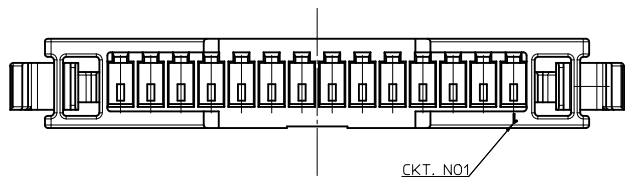
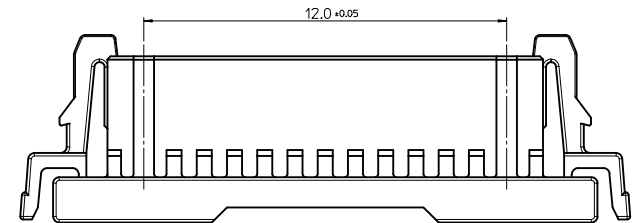
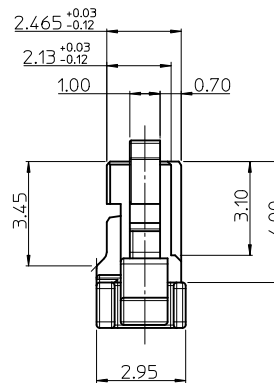
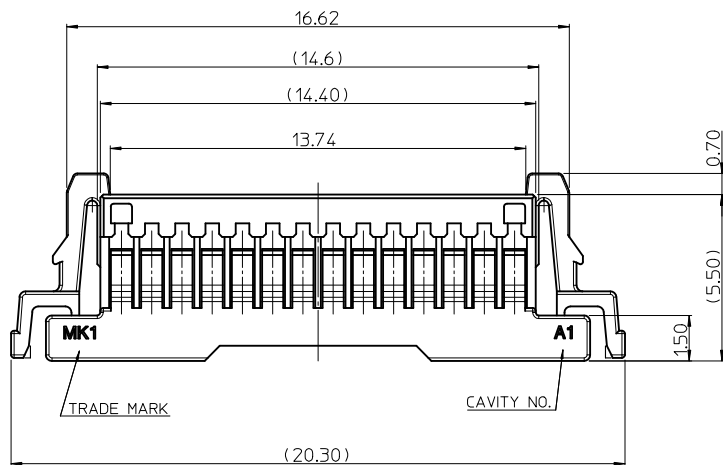
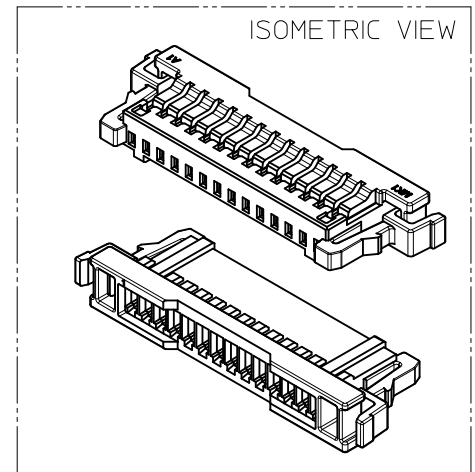


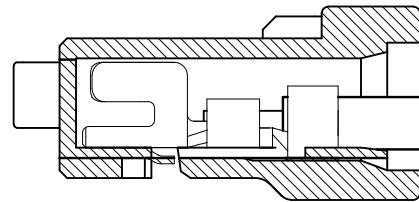
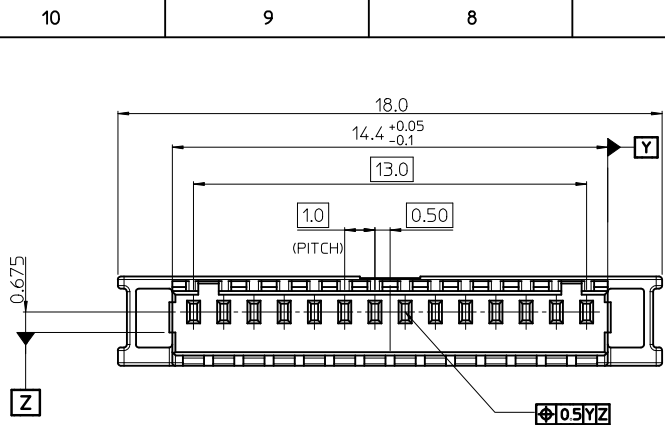
TERMINAL ASSEMBLY DRAWING  
(REFERANCE)



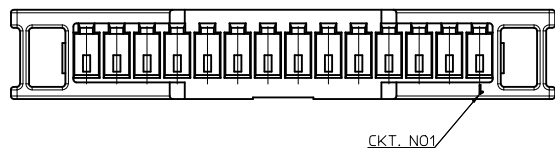
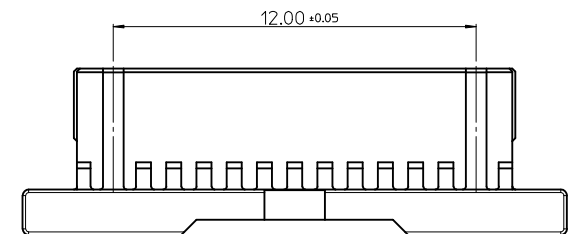
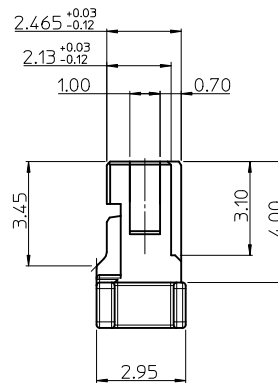
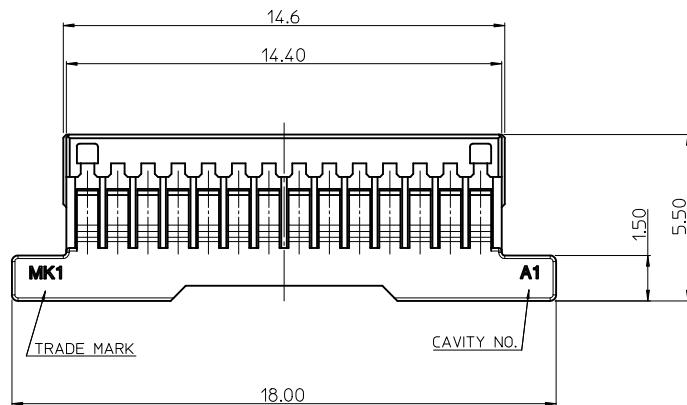
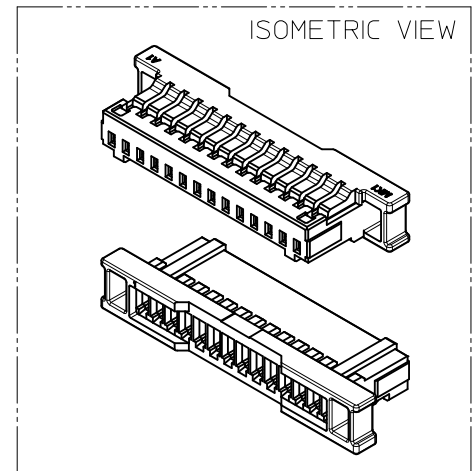
NOTES

- MATED WITH : 104139-1410
- MATERIALS  
HOUSING : LIQUID CRYSTAL POLYMER,  
COLOR OF NATURAL
- APPLICABLE TERMINAL : 104547-8003

<b>NEW RELEASED</b> EC NO: KOR2012-0112 DRWN: IHYOU CHKD: SH. CHU APPR: YSKIM02 2012/04/21 2012/04/25	DESCRIPTION QUALITY SYMBOLS ▽=0 ◻=0	GENERAL TOLERANCES (UNLESS SPECIFIED)		DIMENSION STYLE <b>MM ONLY</b>		SCALE <b>6:1</b>	ORDER NUMBER <b>104138-1400</b>
		4 PLACES ± --- ± --- 3 PLACES ± 0.15 ± --- 2 PLACES ± 0.20 ± --- 1 PLACE ± 0.25 ± ---	mm INCH ± --- ± --- ± 0.15 ± --- ± 0.20 ± --- ± 0.25 ± ---	DRAWN BY I.H. YOU	DATE 2011/04/30	TITLE <b>1.0 W-T-B CONN.-14P HOUSING LOCKING TYPE</b>	
		ANGULAR ± 1 °		CHECKED BY SH. CHU	DATE 2011/04/30	MOLEX INCORPORATED	
		DRAFT WHERE APPLICABLE MUST REMAIN WITHIN DIMENSIONS		APPROVED BY YSKIM02	DATE 2012/04/25	MATERIAL NO. <b>1041381400</b>	DOCUMENT NO. <b>SD-104138-001</b>
SHEET NO. <b>1 OF 1</b>		THIS DRAWING CONTAINS INFORMATION THAT IS PROPRIETARY TO MOLEX INCORPORATED AND SHOULD NOT BE USED WITHOUT WRITTEN PERMISSION					



TERMINAL ASSEMBLY DRAWING  
(REFERANCE)



NOTES

- MATED WITH : 104139-1410
- MATERIALS  
HOUSING : LIQUID CRYSTAL POLYMER,  
COLOR OF NATURAL
- APPLICABLE TERMINAL : 104547-8003

NEW RELEASED  
EC NO: KOR2012-0112 2012/04/21  
DRWN: IHYOU  
CHKD: SH. CHU  
APPR: YSKIM02 2012/04/25

REV	DESCRIPTION
A	

QUALITY SYMBOLS ▽=0 ∇=0	GENERAL TOLERANCES (UNLESS SPECIFIED)	
	mm	INCH
	4 PLACES	± --- ± ---
	3 PLACES	± 0.15 ± ---
	2 PLACES	± 0.20 ± ---
	1 PLACE	± 0.25 ± ---
	ANGULAR ± 1 °	
DRAFT WHERE APPLICABLE MUST REMAIN WITHIN DIMENSIONS		

DIMENSION STYLE MM ONLY		SCALE 6:1
DRAWN BY I.H. YOU	DATE 2011/07/08	TITLE 1.0 W-T-B CONN.-14P HOUSING JIG TYPE
CHECKED BY SH. CHU	DATE 2011/07/08	
APPROVED BY YSKIM02	DATE 2012/04/25	
MATERIAL NO. 1041381410		DOCUMENT NO. SD-104138-002
SIZE A3	THIS DRAWING CONTAINS INFORMATION THAT IS PROPRIETARY TO MOLEX INCORPORATED AND SHOULD NOT BE USED WITHOUT WRITTEN PERMISSION	

ORDER NUMBER 104138-1410	DESIGN UNITS METRIC	THIRD ANGLE PROJECTION
MOLEX INCORPORATED		
SHEET NO. 1 OF 1		