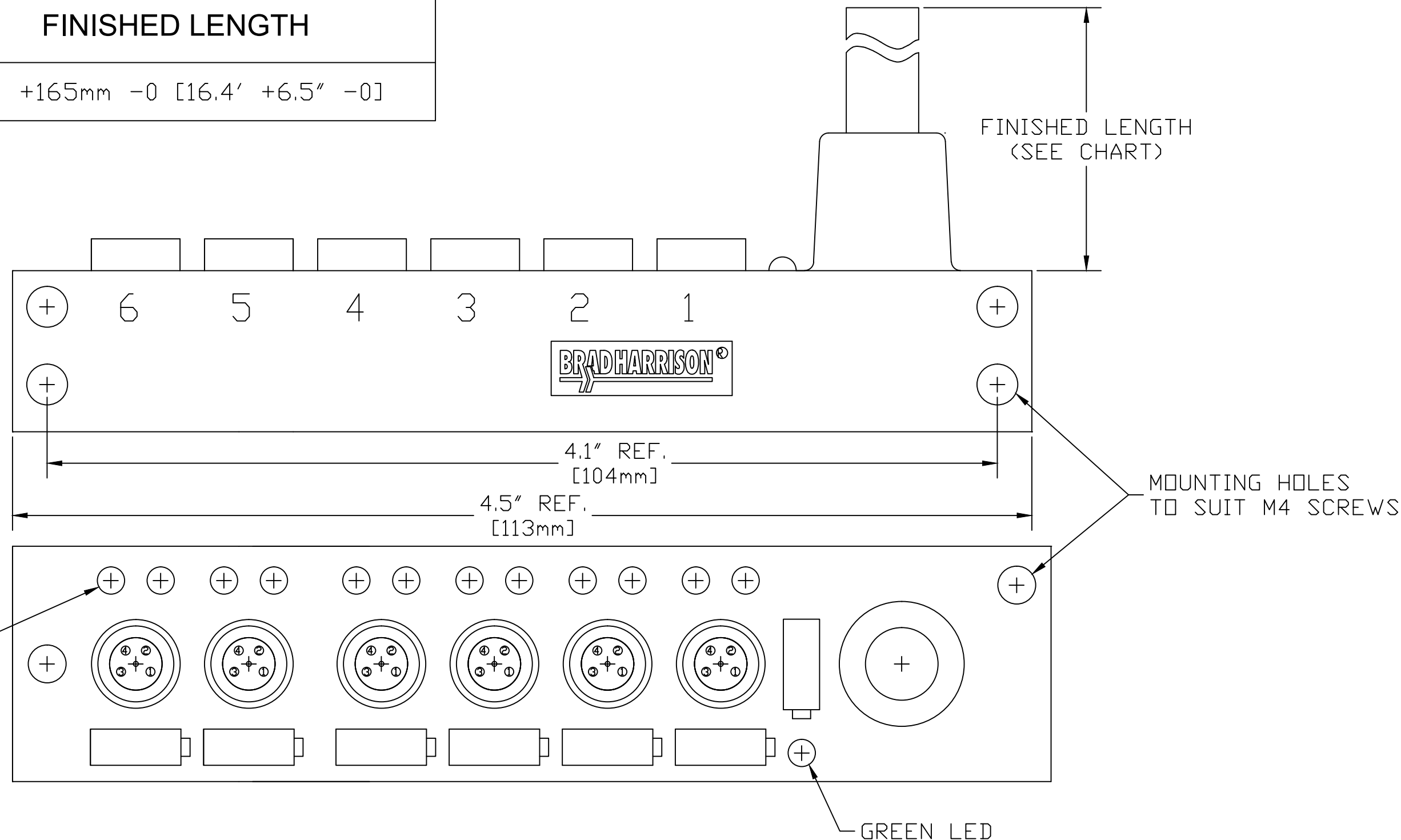


13	12	11	10	9	8	7	6	5	4	3	2	1
<b>MATERIAL NUMBER</b>		<b>OLD PART NUMBER</b>		<b>FINISHED LENGTH</b>								
1200540044		BNY603P-FBP-05		5M +165mm -0 [16.4' +6.5" -0]								



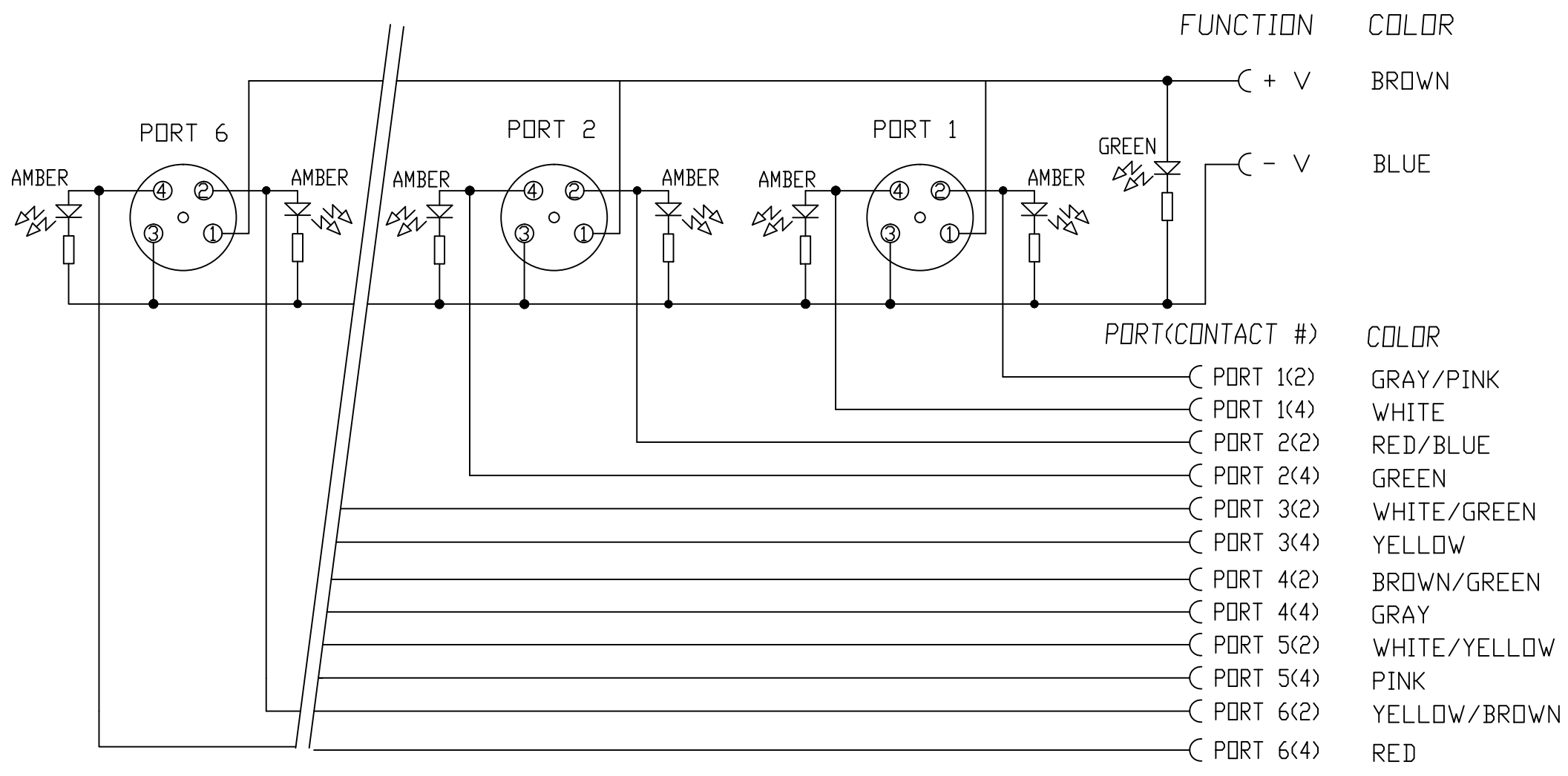
AMBER LED (12 PL.)

GREEN LED

### BNY603P-FBP-05

Wire type  
2x.75mm<sup>2</sup> + 12x.34mm<sup>2</sup>  
Black PUR

cable length  
05----5 Meter  
100----10 Meter



CONTACT:	GOLD/NICKEL OVER COPPER ALLOY
□-RING:	FKM, RED
HOUSING:	PBT YELLOW
VOLTAGE RATING:	10-30V DC MAX
AMPERAGE RATING:	MODULE-6A MAX PORT-2A MAX
PROTECTION:	IP67
OPERATING TEMPERATURE:	-5°C TO 80°C

INITIAL RELEASE EC NO: IPG2014-0871 DRWN: EBRACKEN 2013/07/10 CHKD: BARDEN APPR: BWOODMAN 2013/11/20 REV A	QUALITY SYMBOL ▽=0 ▽=0	GENERAL TOLERANCES (UNLESS SPECIFIED) <table border="1"> <tr> <td></td> <td>mm</td> <td>INCH</td> </tr> <tr> <td>4 PLACES</td> <td>±---</td> <td>±---</td> </tr> <tr> <td>3 PLACES</td> <td>±---</td> <td>±.005</td> </tr> <tr> <td>2 PLACES</td> <td>±0.13</td> <td>±.010</td> </tr> <tr> <td>1 PLACE</td> <td>±0.25</td> <td>±.020</td> </tr> </table>		mm	INCH	4 PLACES	±---	±---	3 PLACES	±---	±.005	2 PLACES	±0.13	±.010	1 PLACE	±0.25	±.020	DIMENSION STYLE IN/MM DRAWN BY DATE EBRACKEN 2013/06/18 CHECKED BY DATE BARDEN 2013/11/21 APPROVED BY DATE BWOODMAN 2013/11/20	SCALE NTS DESIGN UNITS INCH THIRD ANGLE PROJECTION	TITLE <b>M8-MPIS 4 POLE-6 PORT TOP-5M SM CABLE BLACK PUR</b> <b>MOLEX INCORPORATED</b>	MATERIAL NO. <b>SEE CHART</b> SIZE <b>C</b>	DOCUMENT NO. <b>SD-120054-004</b> SHEET NO. <b>1 OF 1</b>
		mm	INCH																			
	4 PLACES	±---	±---																			
	3 PLACES	±---	±.005																			
2 PLACES	±0.13	±.010																				
1 PLACE	±0.25	±.020																				
DRAFT WHERE APPLICABLE MUST REMAIN WITHIN DIMENSIONS		THIS DRAWING CONTAINS INFORMATION THAT IS PROPRIETARY TO MOLEX INCORPORATED AND SHOULD NOT BE USED WITHOUT WRITTEN PERMISSION																				