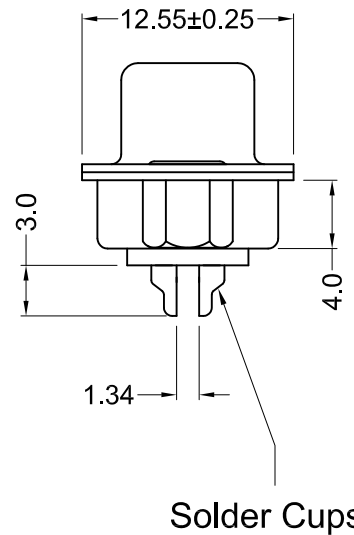
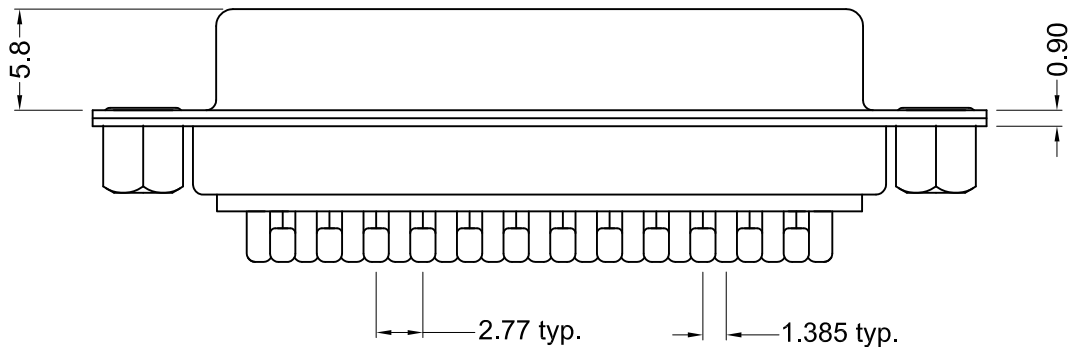


#4-40 UNC
Internal Thread (2)



Solder Cups

Material and Finish

Shell: steel, nickel plated

Insulator: PBT with glass-fiber reinforcement, UL 94V-0 rated, color-black

Contact Material:
Socket: Brass

Contact Plating:

Standard:
Gold flash on mating end, tin on termination end, with entire contact nickel underplated

-15 Option:
15u" gold on mating end, tin on termination end, with entire contact nickel underplated

-30 Option:
30u" gold on mating end, tin on termination end, with entire contact nickel underplated

Electrical Specifications

- Rated Current: 2A
- Rated Voltage: 30V RMS
- Withstanding Voltage: 500V (rms) AC for 1 minute
- Insulation Resistance: more than 1000 Megohm at 500V DC
- Contact Resistance: 13 milliohm max.
- Dielectric Strength: 1000V for 1 minute
- Operating Temperature: -55°C to +105°C

Ordering Information	
Part Number	Contact Area Plating Finish
K85X-BA-25S-K	Gold Flash (standard)
K85X-BA-25S-K15	15u" Gold (15 option)
K85X-BA-25S-K30	30u" Gold (30 option)



Tolerances
X.X ± 0.25
X.XX ± 0.15
Unless Stated Otherwise

REV.	DATE	DESCRIPTION	REV. BY	CHK. BY	DRAWN BY	DATE
A1	06/14/05	New Drawing	R. Aguirre	H. MA	R. Aguirre	06/14/05
A2	1/9/08	ECO # 07-052	WILL H.	H. MA		
A3	12/31/17	ECO #17-030	J. Elbanna	C. Furumasu		

K85X-BA-25S-K

D-sub, Vertical, Soldercups, 25 Pin Female

RoHS Compliant, Threaded Bushings w/ K option

