

DO NOT SCALE FROM THIS PRINT

DESIGNED & DIMENSIONED IN MILLIMETERS [INCHES]

IPS6-XX-XX-L

No OF POSITIONS  
 -02: 2 POSITIONS  
 -04: 4 POSITIONS  
 -06: 6 POSITIONS  
 -08: 8 POSITIONS

LATCHING  
 PACKAGING  
 -01: BULK

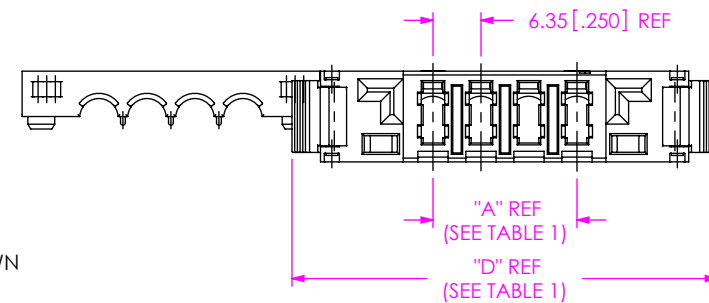
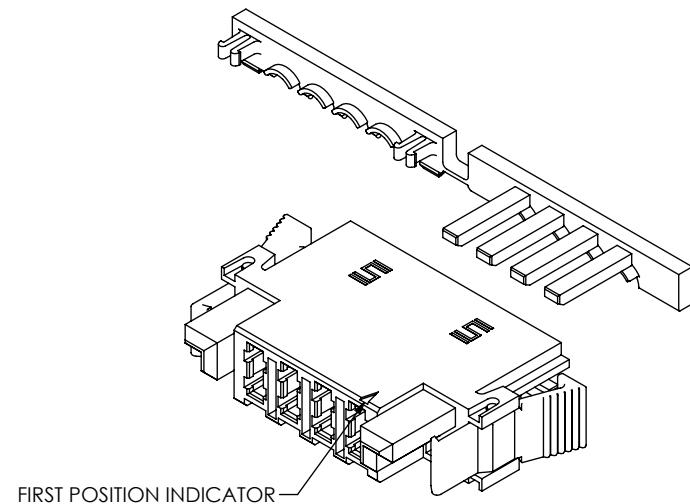
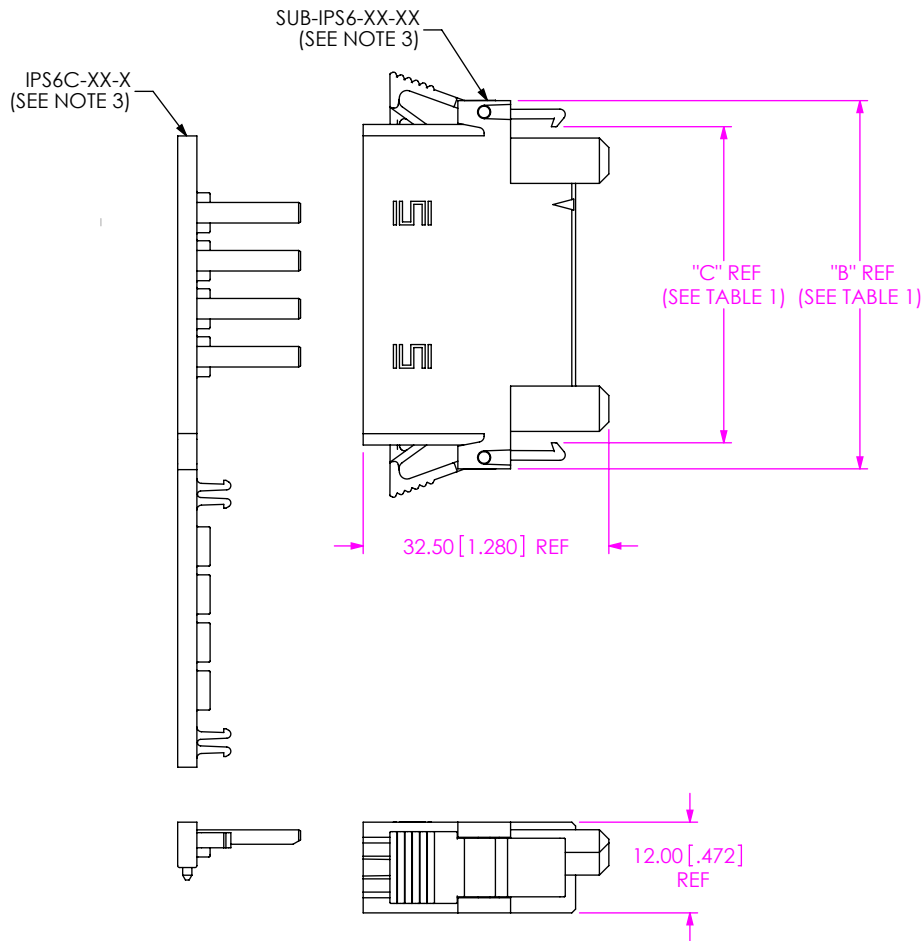


FIG 1.  
 IPS6-04-01-L SHOWN

TABLE 1

| No. OF POS | "A"           | "B"           | "C"           | "D"         |
|------------|---------------|---------------|---------------|-------------|
| -02        | 6.35 [0.250]  | 36.01 [1.418] | 29.21 [1.150] | 43.9 [1.73] |
| -04        | 19.05 [0.750] | 48.71 [1.918] | 41.91 [1.650] | 56.6 [2.23] |
| -06        | 31.75 [1.250] | 61.41 [2.418] | 54.61 [2.150] | 69.3 [2.73] |
| -08        | 44.45 [1.750] | 74.11 [2.918] | 67.31 [2.650] | 82.0 [3.23] |

NOTES:

- ⊕ REPRESENTS A CRITICAL DIMENSION.
- MINIMUM LATCH RETENTION: 4.4 N [1 LB].
- PARTS TO BE BULK PACKAGED TOGETHER BUT NOT ASSEMBLED.

UNLESS OTHERWISE SPECIFIED, DIMENSIONS ARE IN MILLIMETERS. TOLERANCES ARE:  
 DECIMALS ANGLES  
 X.X: ±0.3 [0.1] 2°  
 X.XX: ±0.13 [0.05]  
 X.XXX: ±0.051 [0.020]

PROPRIETARY NOTE  
 THIS DOCUMENT CONTAINS INFORMATION CONFIDENTIAL AND PROPRIETARY TO SAMTEC, INC. AND SHALL NOT BE REPRODUCED OR TRANSFERRED TO OTHER DOCUMENTS OR DISCLOSED TO OTHERS OR USED FOR ANY PURPOSE OTHER THAN THAT WHICH IT WAS OBTAINED WITHOUT THE EXPRESSED WRITTEN CONSENT OF SAMTEC, INC.

MATERIAL: DO NOT SCALE DRAWING  
 INSULATOR: NYLON, BLACK  
 LATCH: NYLON, BLACK

SHEET SCALE: 2:1



520 PARK EAST BLVD., NEW ALBANY, IN 47150  
 PHONE: 812-944-6733 FAX: 812-948-5047  
 e-Mail: info@SAMTEC.com code 53322

DESCRIPTION:  
 PE55 SUB-IPS6 & IPS6C ASM  
 DWG. NO.

IPS6-XX-XX-L