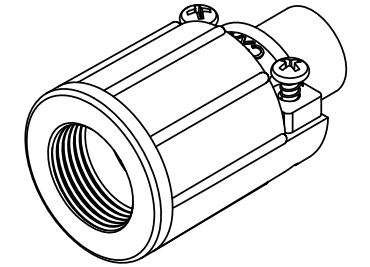
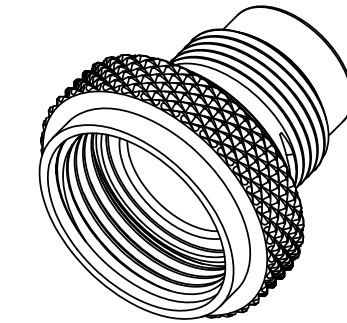
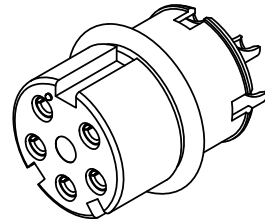
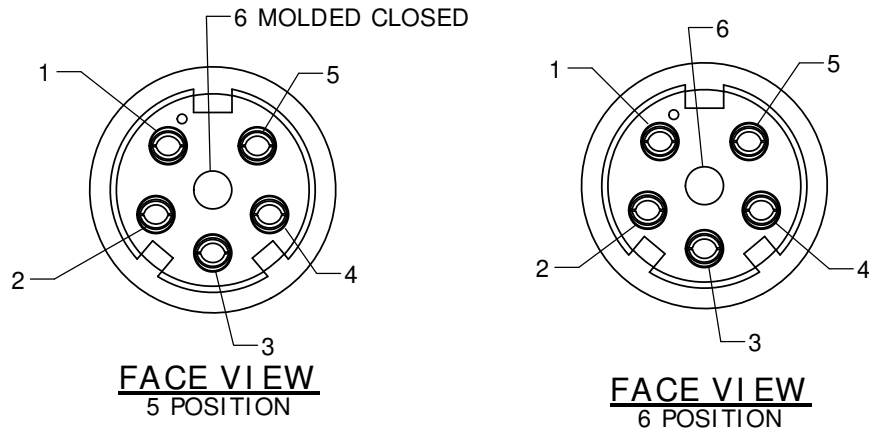


CUSTOMER PRINT

PART NUMBER: SF3382-XESG-5XX

NOTES:
PLACE (1) ONE OF EACH KIT, IN A BAG WITH INSTRUCTION SHEET AND SEALED.
LABEL WITH CONXALL, PART NUMBER, DATE CODE AND P/N BARCODE IS PLACED ON BAG.



CUSTOMER APPROVAL

THIS DOCUMENT CONTAINS CONFIDENTIAL INFORMATION PROPRIETARY TO CONXALL CORPORATION. ANY REPRODUCTION, DISCLOSURE, OR USE OF THIS DOCUMENT / INFORMATION IS EXPRESSLY PROHIBITED UNLESS AUTHORIZED IN WRITING BY CONXALL CORPORATION.

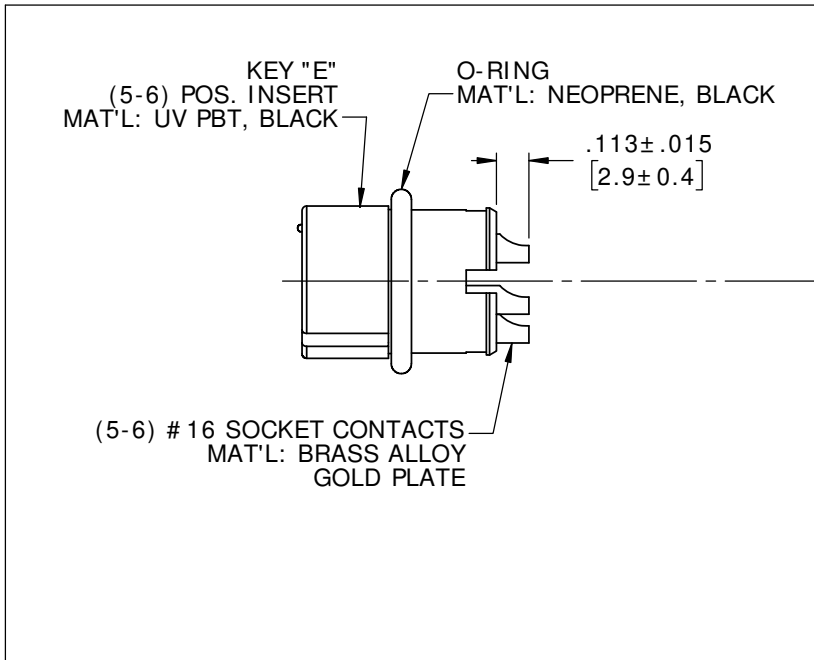
APPROVED BY: _____

DATE: _____

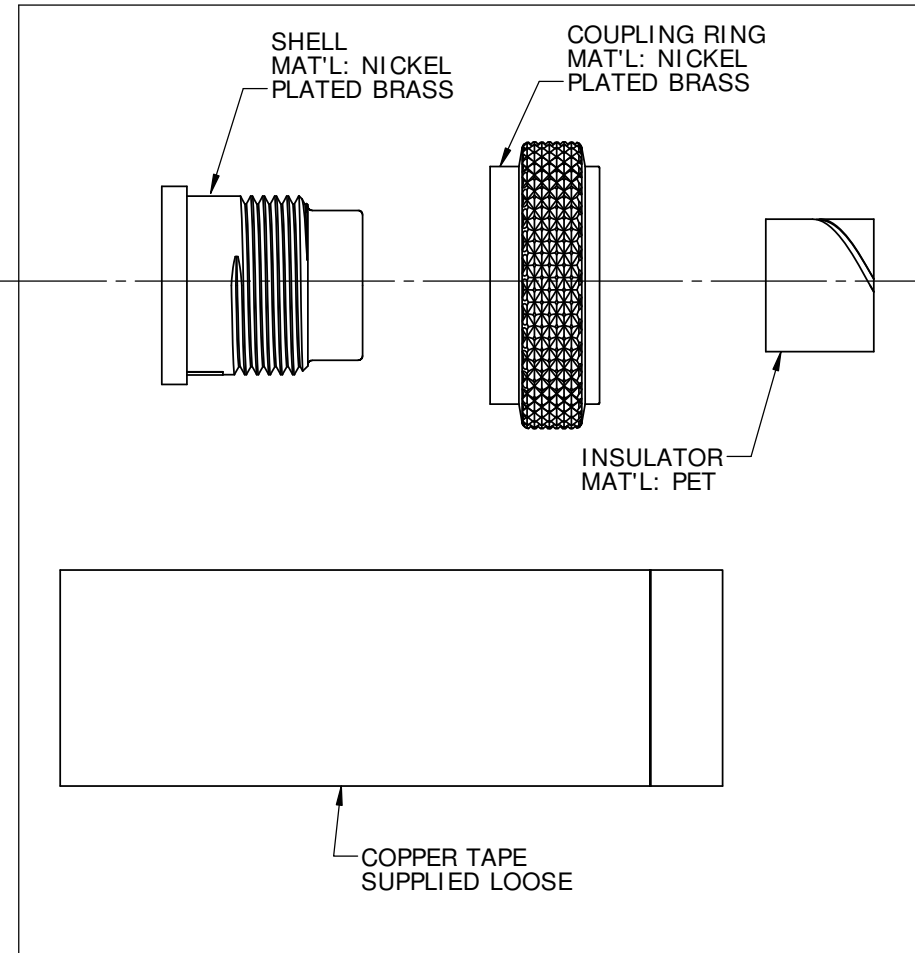
ASSY P/N	I.D. FOR CABLE
SF3382-XESG-520	Ø0.200
SF3382-XESG-530	Ø0.300
SF3382-XESG-540	Ø0.400

NO. OF CONTACTS: 5-6

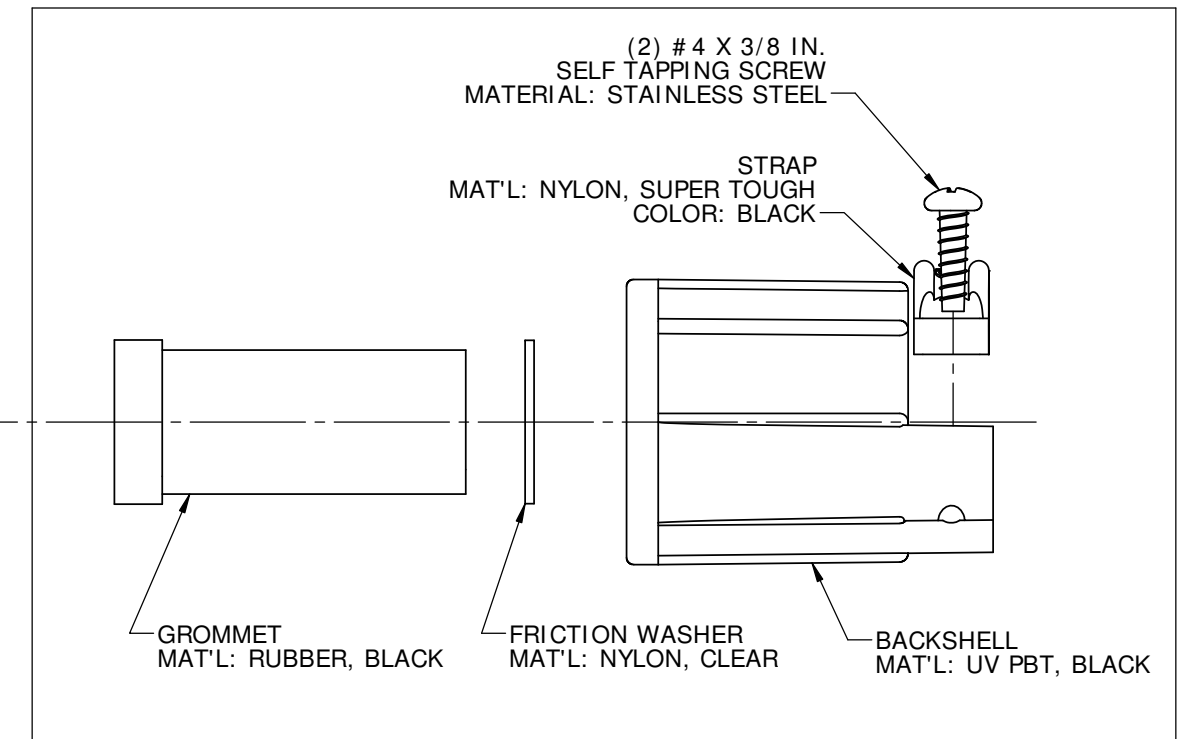
INSERT KIT



HOUSING KIT



BACKSHELL KIT (SEE CHART)



A	KU	05-22-19	DRAWING CREATED PER ECR 9439
REV.	INIT.	DATE	DESCRIPTION
	KU	05-22-19	ORIG. DRAWN BY: DATE: 05-22-19
ALL INFORMATION ILLUSTRATED IS THE PROPERTY OF CONXALL CORPORATION. UNAUTHORIZED DUPLICATION OR DISTRIBUTION OF THIS DOCUMENT IS PROHIBITED.			<p>601 E. WILDWOOD VILLA PARK, IL 60181</p>
ALL UNITS ARE IN FEET, INCHES, FRACTION OF INCHES AND DECIMALS.			
APPROVED BY:		TITLE: CONNECTOR ASSEMBLY KIT	
SCALE: NTS		12 SOCKET CONTACTS SHIELDED MULTI-CON-X STANDARD PRODUCT	
SIZE: B		CUSTOMER: STANDARD PRODUCT	
SHEET: 1 OF 1		PART NUMBER: SF3382-XESG-5XX	
FILE: SF3382-XESG-5XX		REV: A	
DIRECTORY: SLW			

RoHS COMPLIANT