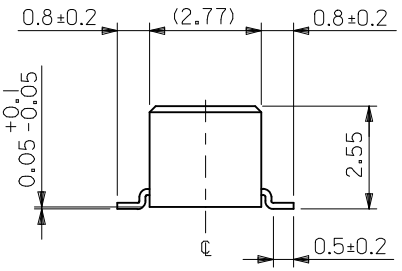
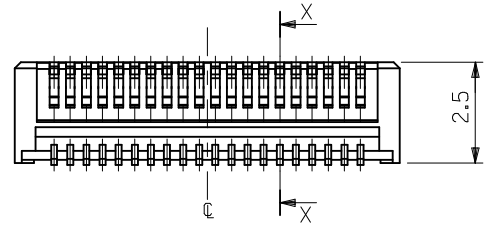


参考基板レイアウト (マウント面)  
 RECOMMENDED P.C. BOARD  
 PATTERN DIMENSION. (REF.)  
 (MOUNTING AREA)



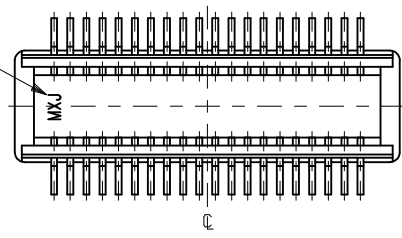
注記 NOTES:

- 使用材料 MATERIAL  
 ウエハー: 液晶ポリマー ガラス充填 UL94V-0 茶色  
 WAFER: LIQUID CRYSTAL POLYMER  
 GLASS FILLED UL94V-0  
 COLOR BROWN  
 ピン: リン青銅 (t=0.15)  
 PIN: PHOSPHOR BRONZE (t=0.15)
- メッキ仕様 PLATING  
 金メッキ 0.25 マイクロメートル以上 (コンタクト部)  
 GOLD 0.25MICROMETER MINIMUM (CONTACT AREA)  
 金メッキ 0.4 マイクロメートル以下 (テール部)  
 GOLD 0.4MICROMETER MAXIMUM (TAIL AREA)  
 下地メッキ: ニッケルメッキ 1.5 マイクロメートル以上  
 UNDER PLATING: NICKEL 1.5MICROMETER MINIMUM

- (全極数/2) = 偶数の場合に適用。  
 APPLY FOR (CIRCUIT/2) = EVEN.
- 嵌合相手: 54684 シリーズ  
 MATE WITH: 54684 SERIES.
- テール平坦度は、0.08 以下  
 TAIL COPLANARITY TO BE 0.08 MAXIMUM.

無鉛  
 LEAD FREE

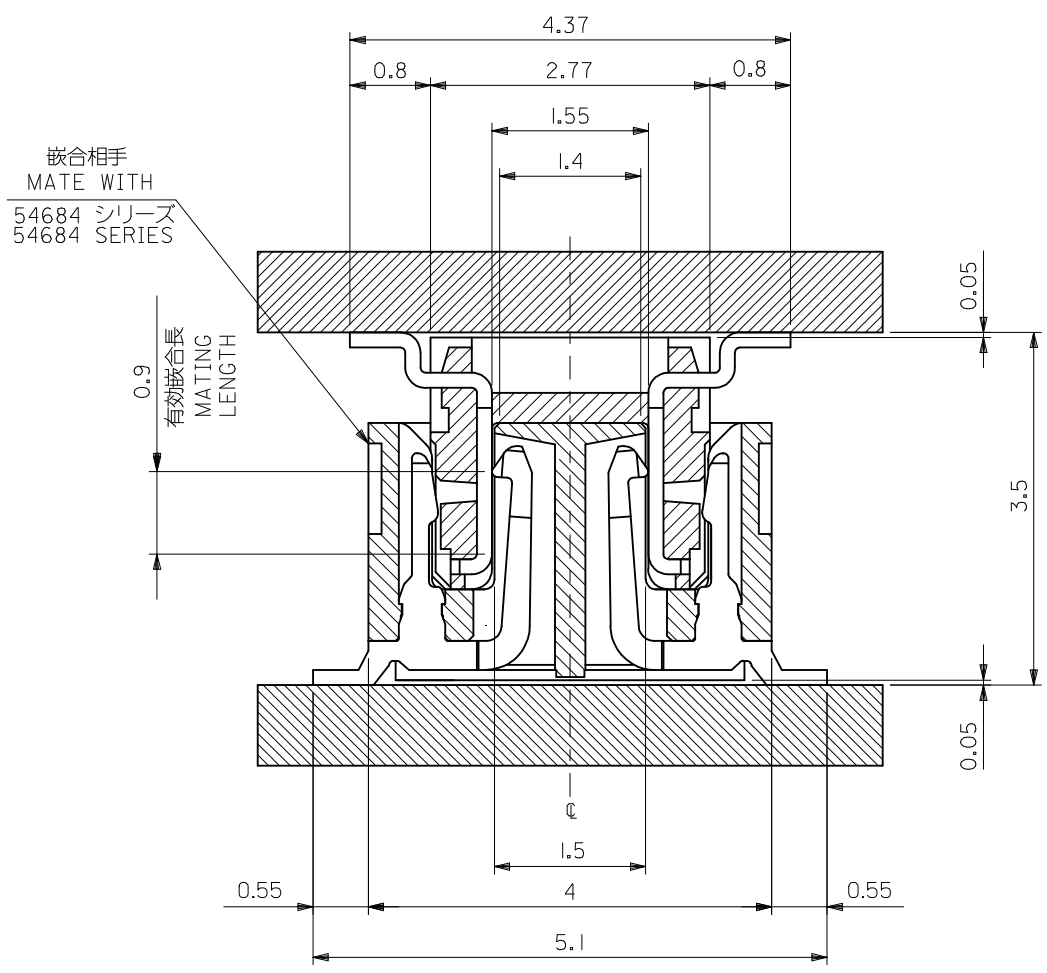
トレードマーク  
 TRADE MARK



16.62	15.6	17.55	55526-0807	80
C	B	A	MATERIAL NO. CIRCUIT	

MODEL NO. 55526-\*\*\*7

MATERIAL 材料  注記参照 SEE NOTES	REVISED EC NO: J2016-0892 DRWN: Y. SHIDA 2016/02/22 CHKD: K. TANAKA 2016/02/22 APP: R. KAWAKAWA 2016/02/29	GENERAL TOLERANCES (UNLESS SPECIFIED)		DIMENSION STYLE MM ONLY		SCALE ---	DESIGN UNITS METRIC	THIRD ANGLE PROJECTION	
		0.25 UNDER	UNDER	±0.03	DRAWN BY S. AIHARA	DATE 1999/10/02	TITLE 0.4MM B-TO-B CONN PLUG NO BOSS (HGT=3.5MM)		
0.25 OVER	0.5 UNDER	±0.05	CHECKED BY T. ITO	DATE 2002/03/11	SEE CHART SD-55526-003		SHEET NO. 1 OF 2		
0.5 OVER	1.0 UNDER	±0.1	APPROVED BY T. YAMAGU	DATE 2002/03/11			THIS DRAWING CONTAINS INFORMATION THAT IS PROPRIETARY TO MOLEX ELECTRONIC TECHNOLOGIES, LLC AND SHOULD NOT BE USED WITHOUT WRITTEN PERMISSION		
1.0 OVER	10 UNDER	±0.2	MATERIAL NO.		DOCUMENT NO.				
10 OVER	30 UNDER	±0.25	SIZE A3						
30 OVER		±0.3	DRAFT WHERE APPLICABLE MUST REMAIN WITHIN DIMENSIONS						
FINISH 仕上げ  注記参照 SEE NOTES									

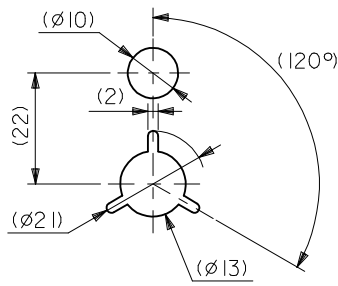
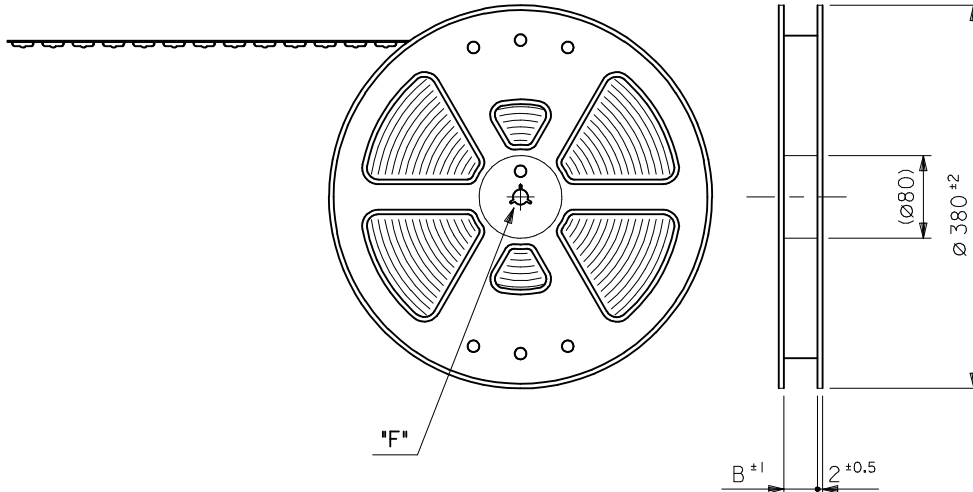


嵌合断面図 (参考)  
MATED DRAWING (REF.)

無鉛  
LEAD FREE

MATERIAL 材料	REVISED EC NO: J2016-0892 DRWN: Y. SHIDA 2016/02/22 CHKD: K. TANAKA 2016/02/22 APPR: K. MORIKAWA 2016/02/29	GENERAL TOLERANCES (UNLESS SPECIFIED)		DIMENSION STYLE MM ONLY		SCALE ---	DESIGN UNITS METRIC	MODEL NO. 55526-***7	
		0.25 UNDER	UNDER	±---	DRAWN BY S. AIHARA	DATE 1999/10/02	TITLE 0.4MM B-TO-B CONN PLUG NO BOSS (HGT=3.5MM)		
		0.25 OVER	0.5 UNDER	±---	CHECKED BY T. ITO	DATE 2002/03/11	THIRD ANGLE PROJECTION		
		0.5 OVER	1.0 UNDER	±---	APPROVED BY T. YAMAGU	DATE 2002/03/11	DOCUMENT NO. SD-55526-003		
SHEET 1 OF 2 参照 REFER TO SHEET 1 OF 2		1.0 OVER	10 UNDER	±---	SEE CHART		SHEET NO. 2 OF 2		
		30 OVER		±---	THIS DRAWING CONTAINS INFORMATION THAT IS PROPRIETARY TO MOLEX ELECTRONIC TECHNOLOGIES, LLC AND SHOULD NOT BE USED WITHOUT WRITTEN PERMISSION				
		ANGULAR	±3 °						
		DRAFT WHERE APPLICABLE MUST REMAIN WITHIN DIMENSIONS			SIZE A3				

引き出し方向  
PULL OUT  
DIRECTION

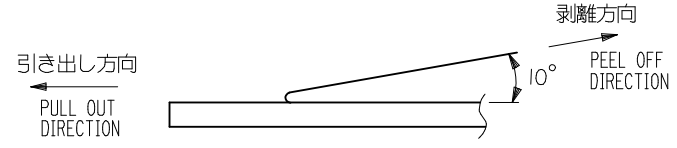


DETAIL "F"

NOTES

- 製品詳細寸法については図面 SD-55526-003 を参照下さい。  
RE DETAILED DIMENSION, SEE SD-55526-003
- 梱包数量：1500個/リール  
NUMBER OF CONNECTORS : 1500PCS/REEL
- リードテープ長さ LEAD TAPE LENGTH
- トップテープの剥離強度：0.1N ~ 0.7N(10.2gf ~ 71.4gf)  
(剥離方向は下図参照)  
尚、本規格値は出荷時に適用。(但し、輸送時に剥離が発生しないこと。)  
PEELING OFF FORCE OF TOP TAPE : 0.1N ~ 0.7N(10.2gf ~ 71.4gf)  
(PEELING DIRECTION AS SHOWN IN FOLLOWING FIG.)  
THIS REQUIREMENT SHOULD BE APPLIED AT SHIPMENT.  
PEEL OFF SHOULD NOT BE ALLOWED , DURING TRANSPORTATION.

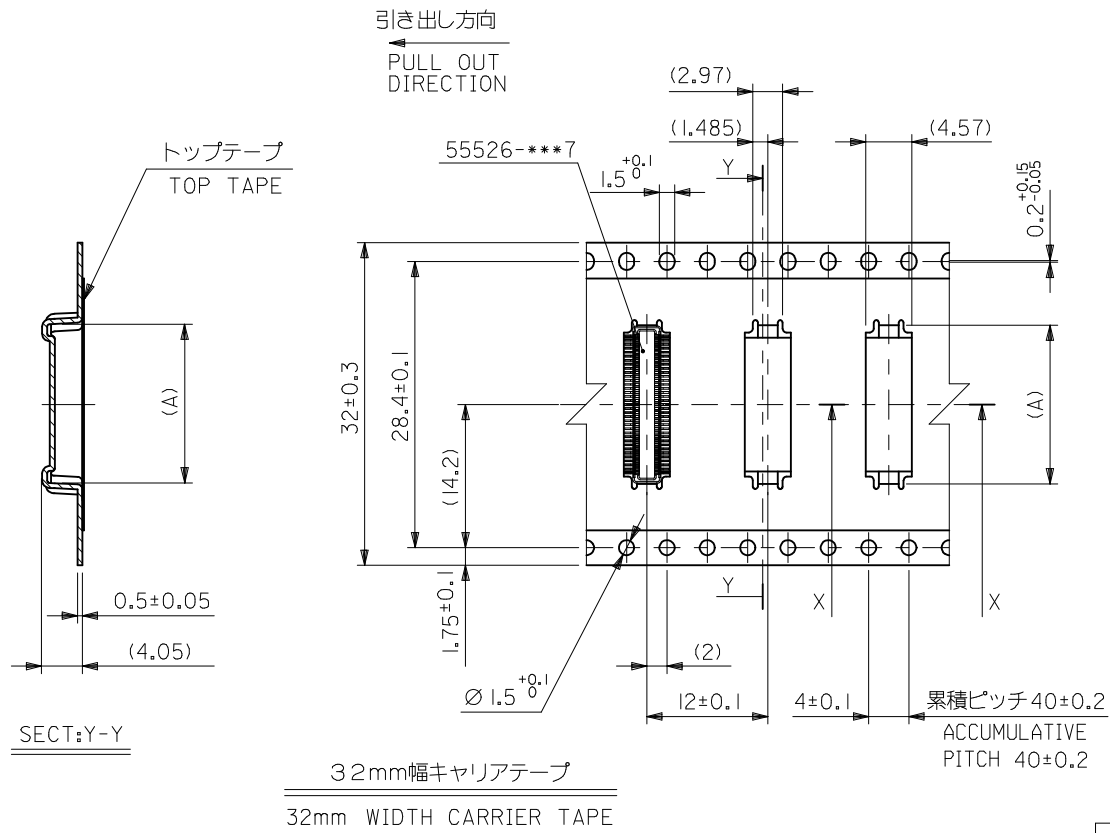
引き出し方向  
PULL OUT  
DIRECTION



- 材料(MATERIAL)  
キャリアテープ(CARRIER TAPE)：ポリプロピレン(POLYPROPYLENE)  
トップテープ(TOPTAPE)：PET , PE , PEF  
リール(REEL)：ポリスチレン (P S) <リサイクル材を含む>  
POLYSTYREN(PS) <RECYCLE MATERIAL CONTAINED>

無鉛  
LEAD FREE

MATERIAL 材料	注記参照 SEE NOTES	REVISED EC NO: J2012-0554 DRWN: YON002 2011/09/08 CHKD: TASAKAWA 2011/09/08 APPR: MSASAO 2012/07/06	GENERAL TOLERANCES (UNLESS SPECIFIED)		DIMENSION STYLE MM ONLY		SCALE ---	DESIGN UNITS METRIC	MODEL NO. 55526-***8	
			10 UNDER	±0.2	DRAWN BY S. AIHARA	DATE 1999/10/02	TITLE 0.4MM B-T-O-B CONN PLUG NO BOSS (HGT=3.5MM) EMBSTP PKG			
			10 OVER 30 UNDER	±0.25	CHECKED BY T. ITO	DATE 2002/03/11				
			30 OVER	±0.3	APPROVED BY T. YAMAGU	DATE 2002/03/11				
ANGULAR ±3 °			DRAFT WHERE APPLICABLE MUST REMAIN WITHIN DIMENSIONS		MATERIAL NO. SEE CHART		DOCUMENT NO. SD-55526-004	SHEET NO. 1 OF 3		



無鉛  
LEAD FREE

32	33.5	17.75	55526-0808	80
キャリアテープ幅 CARRIER TAPE WIDTH	B	(A)	MATERIAL NO.	極数 CKT.

MATERIAL  
材料

SHEET 1 OF 3 参照  
REFER TO SHEET 1 OF 3

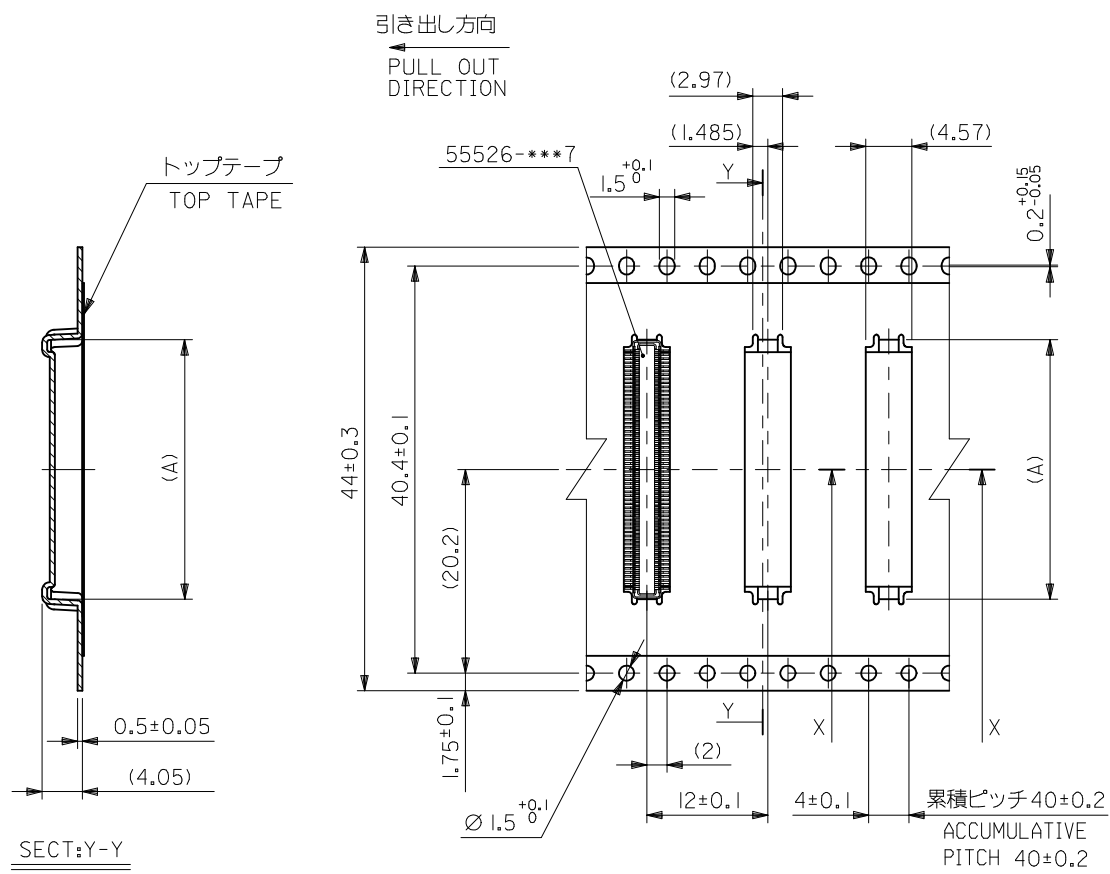
REVISED	EC NO: J2012-0554	2011/09/08	DESCRIPTION
	DRWN: YON002	2011/09/08	
	CHKD: TASAKAWA	2011/09/08	
	APPR: MSASAO	2012/07/06	
REV	10 UNDER	±0.2	GENERAL TOLERANCES (UNLESS SPECIFIED)
	10 OVER 30 UNDER	±0.25	
	30 OVER	±0.3	
	ANGULAR	±3 °	
	DRAFT WHERE APPLICABLE MUST REMAIN WITHIN DIMENSIONS		

DIMENSION STYLE MM ONLY		SCALE ---	DESIGN UNITS METRIC
DRAWN BY T. TSUBOI	DATE 2002/03/11	TITLE	
CHECKED BY T. ITO	DATE 2002/03/11	0.4MM B-TO-B CONN PLUG NO BOSS (HGT=3.5MM) EMBSTP PKG	
APPROVED BY T. YAMAGU	DATE 2002/03/11	molex	
MATERIAL NO.	SEE CHART	DOCUMENT NO. SD-55526-004	SHEET NO. 2 OF 3

MODEL NO. 55526-\*\*\*8

THIRD ANGLE PROJECTION

THIS DRAWING CONTAINS INFORMATION THAT IS PROPRIETARY TO MOLEX  
INCORPORATED AND SHOULD NOT BE USED WITHOUT WRITTEN PERMISSION



無鉛  
LEAD FREE

44	45.5	25.75	55526-1208	120
キャリアテープ幅 CARRIER TAPE WIDTH	B	(A)	MATERIAL NO.	極数 CKT.

MATERIAL  
材料

SHEET 1 OF 3 参照  
REFER TO SHEET 1 OF 3

REVISED	EC NO: J2012-0554	2011/09/08	2011/09/08	2012/07/06
DRWN: YONOO2	CHKD: TASAKAWA	APPR: MSASAO		
DESCRIPTION				
REV				

GENERAL TOLERANCES (UNLESS SPECIFIED)	
10 UNDER	±0.2
10 OVER 30 UNDER	±0.25
30 OVER	±0.3
ANGULAR	±3 °
DRAFT WHERE APPLICABLE MUST REMAIN WITHIN DIMENSIONS	

DIMENSION STYLE MM ONLY	SCALE ---	DESIGN UNITS METRIC	MODEL NO. 55526-***8
DRAWN BY S. AIHARA	DATE 1999/10/02	TITLE 0.4MM B-TO-B CONN PLUG NO BOSS (HGT=3.5MM) EMBSTP PKG	THIRD ANGLE PROJECTION
CHECKED BY T. ITO	DATE 2002/03/11	<b>molex</b>	
APPROVED BY T. YAMAGU	DATE 2002/03/11		
MATERIAL NO.	DOCUMENT NO. SD-55526-004	SHEET NO. 3 OF 3	
SIZE A3	THIS DRAWING CONTAINS INFORMATION THAT IS PROPRIETARY TO MOLEX INCORPORATED AND SHOULD NOT BE USED WITHOUT WRITTEN PERMISSION		