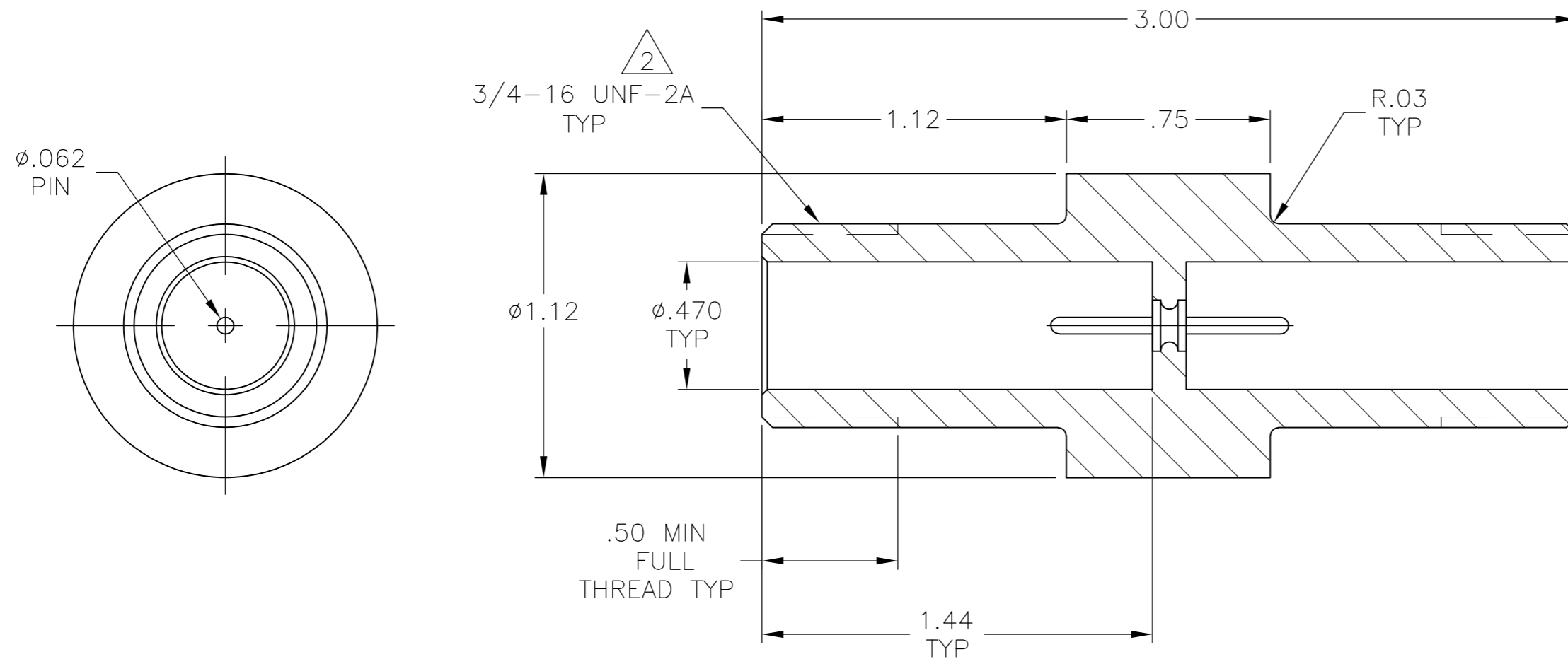


THIS DRAWING IS UNPUBLISHED. RELEASED FOR PUBLICATION
 © COPYRIGHT - By - ALL RIGHTS RESERVED.

LOC		DIST		REVISIONS			
P	LTR	DESCRIPTION	DATE	DWN	APVD		
	G	ECO-13-003801	3-13-13	MS	DE		

- RECEPTACLE TO MATE WITH AMP LGH-2 LEAD ASSEMBLY AVAILABLE SEPARATELY.
- PER FEDERAL STANDARD H-28 3 WIRE METHOD. DIMENSION OVER WIRES TO BE .7474-.7654.



OBSOLETE	850555-2	RECEPTACLE (TERMINAL MOUNT ASSY. GOLD PLATED)
	850555-1	RECEPTACLE (TERMINAL MOUNT ASSY. TIN PLATED)
	PART NUMBER	DESCRIPTION

THIS DRAWING IS A CONTROLLED DOCUMENT.		DWN	M. SCHEIDLER	3-13-13		TE Connectivity		
DIMENSIONS: INCHES		CHK	D. EABY	3-13-13		NAME		
TOLERANCES UNLESS OTHERWISE SPECIFIED:		APVD	D. EABY	3-13-13		RECEPTACLE, FEED-THRU		
0 PLC ± - 1 PLC ± - 2 PLC ± .03 3 PLC ± .005 4 PLC ± - ANGLES ± -		PRODUCT SPEC		FOR SPLICE APPLICATIONS LGH-2				
MATERIAL: GLASS EPOXY MOLDED		FINISH: BLACK		WEIGHT: -	SIZE: A2	CAGE CODE: 00779	DRAWING NO: 850555	RESTRICTED TO: -
CUSTOMER DRAWING				SCALE: 4:1	SHEET: 1 of 1	REV: G		