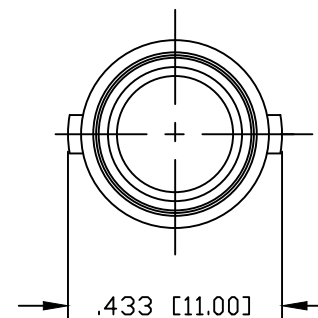
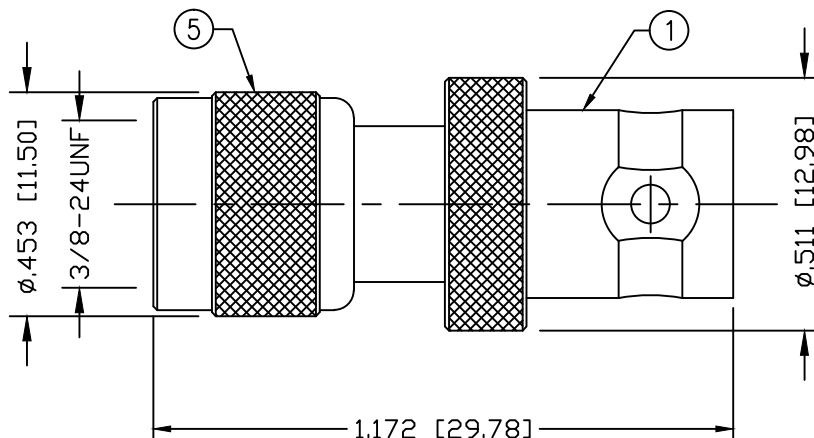


PART NO.

**RFU-622**

REV	DESCRIPTION	DWN	DATE	APPROVED
K	UPDATED CONNECTOR DESIGN AND DRAWING	CZS	01/06/17	JDMc



**SPECIFICATIONS:**

IMPEDANCE: 50 Ohms  
 FREQUENCY RANGE: 0-2.5 GHz  
 WORKING VOLTAGE: 335 V rms Max. @ Sea Level  
 INSULATION RESISTANCE: 5k M Ohms min.  
 TEMPERATURE RANGE: -65°C TO 165°C

#	DESCRIPTION	QTY	MATERIAL	FINISH
5	SHELL	1	BRASS	NICKEL, 100μ"
4	PRESS FIT WASHER	1	BRASS	NICKEL, 100μ"
3	CONTACT	1	BRASS	GOLD, 3μ"
2	INSULATOR	1	PTFE	---
1	BODY	1	BRASS	NICKEL, 100μ"

CUSTOMER OUTLINE DRAWING	
ALL DIMENSIONS ARE REFERENCE ONLY	
UNLESS OTHERWISE SPECIFIED: DIMENSIONS ARE IN INCHES AND [MILLIMETERS]	
DRAWN	01/06/17
C. ZUNIGA	
CHECKED	
ORJ DRAWN	8/25/85
C. ZUNIGA	

**RoHS COMPLIANT**

PROPRIETARY AND CONFIDENTIAL  
 THIS DRAWING CONTAINS INFORMATION PROPRIETARY TO RF INDUSTRIES. ANY UNAUTHORIZED USE OF THIS DRAWING IS EXPRESSLY PROHIBITED WITHOUT WRITTEN PERMISSION FROM RF INDUSTRIES. ANY VIOLATION IS PUNISHABLE UNDER U.S. COPYRIGHT LAWS.

**RFconnectors**  
 DIVISION OF RF INDUSTRIES, LTD.  
 7610 MIRAMAR RD.  
 SAN DIEGO, CA 92126  
 (858) 549-6340  
 (858) 549-6345 FAX

MINI UHF MALE TO BNC FEMALE ADAPTER			
SIZE	CABLE GROUP	DWG NO.	REV
A	N/A	<b>RFU-622</b>	---
SCALE:	ENGINEERING ID:	SHEET 1 OF 1	
NTS	000000		