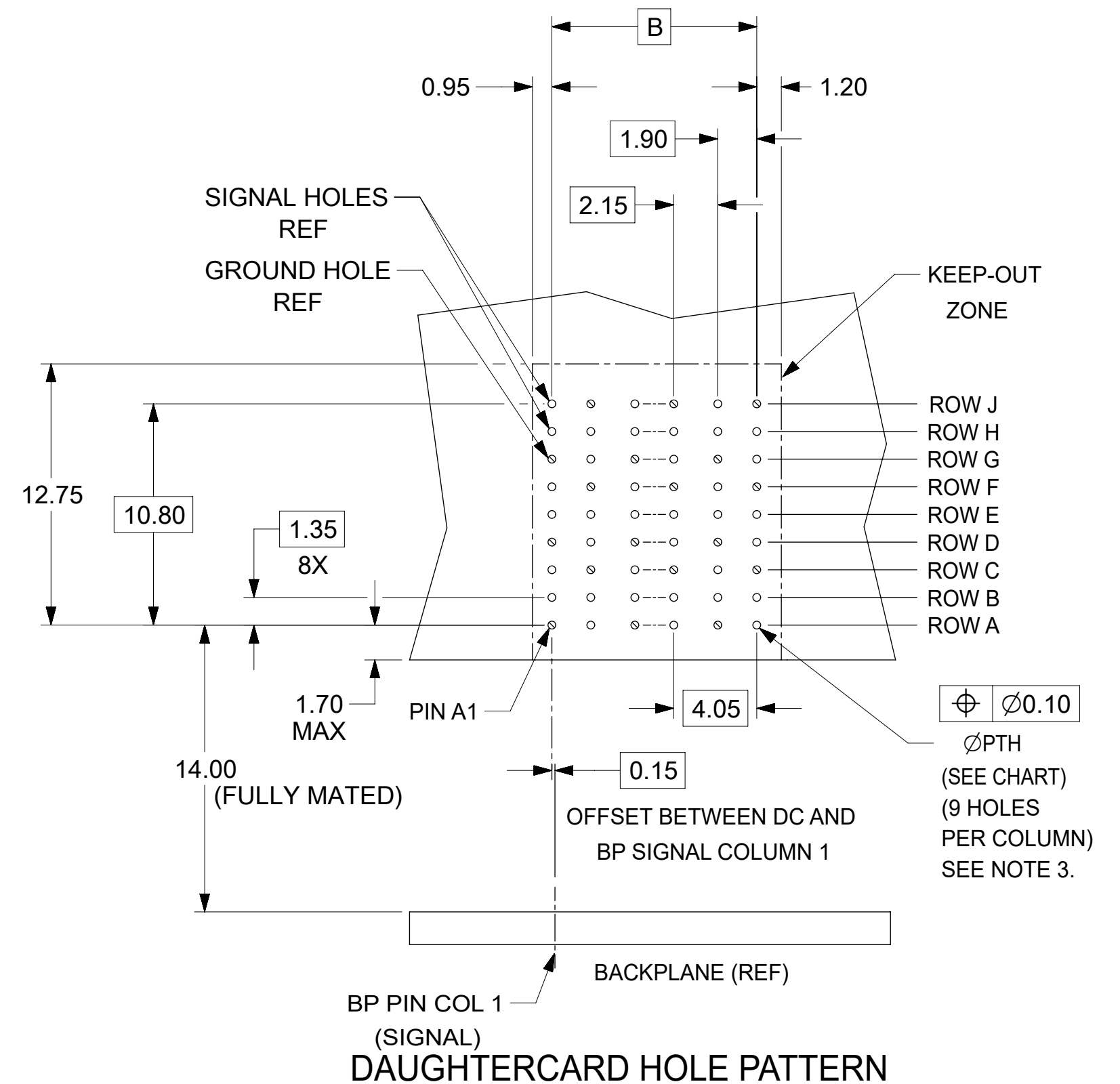
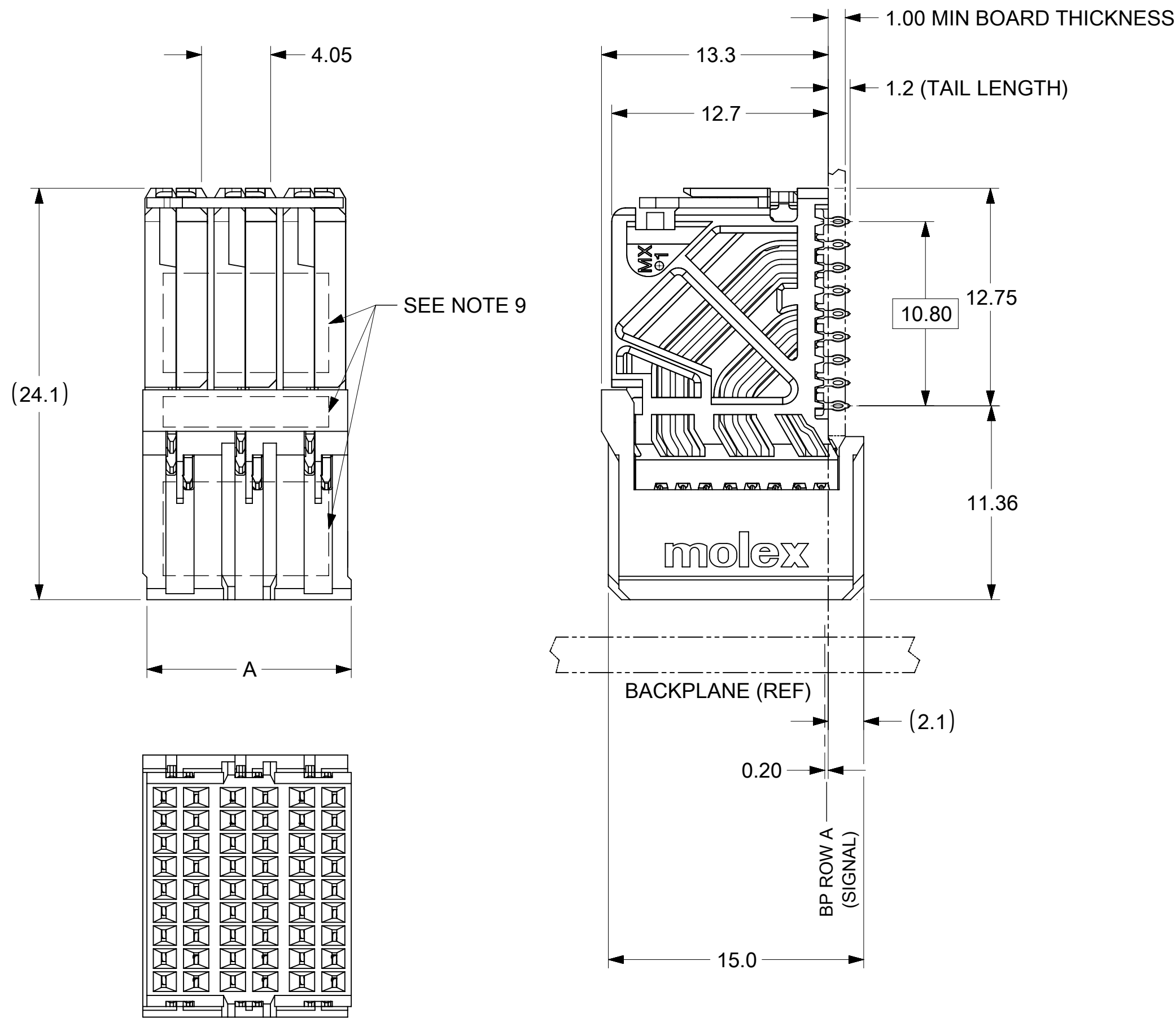
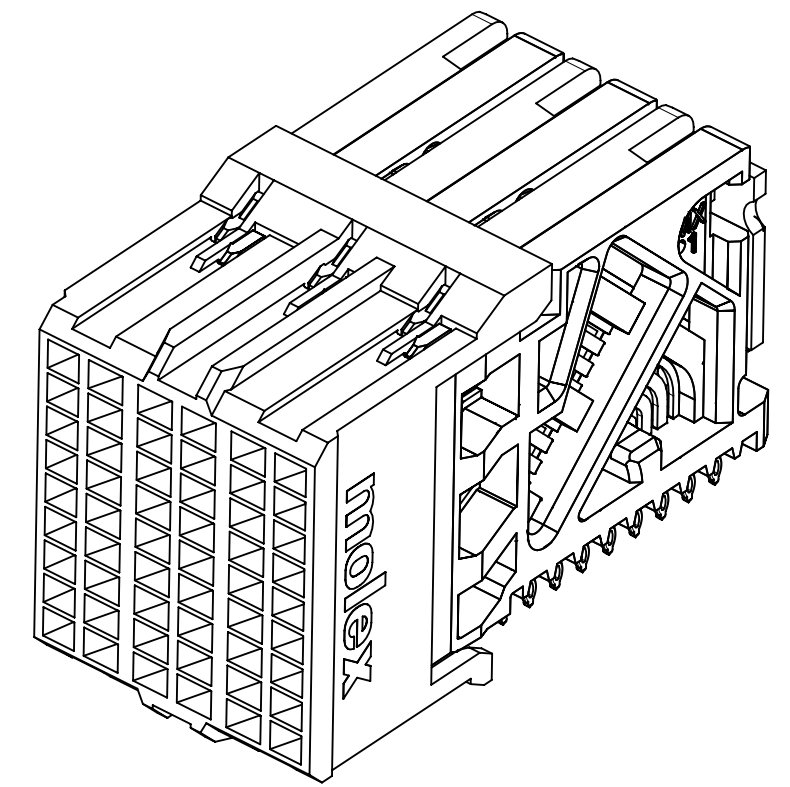


MATERIAL NUMBER	# OF COLUMNS	# OF DIFF PAIR	DIM "A" MAX	DIM "B"	PTH ϕ
76860-1006	6	18	12.15	10.00	0.46 \pm 0.05
76860-1036	6	18	12.15	10.00	0.39 \pm 0.05
76860-1008	8	24	16.20	14.05	0.46 \pm 0.05
76860-1038	8	24	16.20	14.05	0.39 \pm 0.05

76860-*0**

MODULE & TAIL PLATING TYPE
1 = UNGUIDED, LEAD-FREE

OF COLUMNS
06 = 6 COL 0.46 PTH
36 = 6 COL 0.39 PTH
08 = 8 COL 0.46 PTH
38 = 8 COL 0.39 PTH



- NOTES:
1. MATERIALS: HOUSING - LIQUID CRYSTAL POLYMER (LCP), GLASS-FILLED, UL94V-0
TERMINALS - HIGH PERFORMANCE COPPER ALLOY
 2. FINISH: 30 μ IN MIN GOLD IN CONTACT AREA. SELECTIVE TIN ON PCB TAILS. NICKEL OVERALL.
 3. REFER TO MOLEX PRODUCT SPEC PS-76060-999 FOR PERFORMANCE SPECIFICATIONS AND ADDITIONAL PCB INFORMATION.
 4. EACH SIGNAL WAFER CONTAINS 2 COLUMNS OF TERMINALS.
 5. PRODUCT IS PACKAGED PER PK-70873-591.
 6. THIS PART CONFORMS TO CLASS B REQUIREMENTS OF COSMETIC SPEC PS-45499-002.
 7. REFER TO MOLEX SALES DRAWING SD-76855-001 FOR THE MATING HEADERS.
 8. REFER TO MOLEX ROUTING GUIDE AS-76850-990 FOR ADDITIONAL PCB LAYOUT AND ROUTING RECOMMENDATIONS.
 9. MARKING: LOCATED APPROXIMATELY AS SHOWN. PART NUMBER AND DATE CODE.

DIMENSION UNITS		SCALE	CURRENT REV DESC: REMASTERED TO NX	
mm	NTS			
GENERAL TOLERANCES (UNLESS SPECIFIED)				
ANGULAR TOL	\pm 0.5°	EC NO: 705090		
4 PLACES	\pm	DRWN: YOGEEB	2021/12/02	molex
3 PLACES	\pm	CHK'D: DYARAS	2022/01/31	
2 PLACES	\pm 0.15	APPR: LZENG	2022/05/13	IMPACT DAUGHTERCARD
1 PLACE	\pm 0.25	INITIAL REVISION:		3 PAIR ORTHOGONAL UNGUIDED SALES DRAWING
0 PLACES	\pm	DRWN: JLAURX	2010/01/11	PRODUCT CUSTOMER DRAWING
DRAFT WHERE APPLICABLE MUST REMAIN WITHIN DIMENSIONS		APPR: JBINGHAM	2010/01/14	DOCUMENT NUMBER
THIRD ANGLE PROJECTION		DRAWING SERIES		SD-76860-001
C-SIZE		76860		DOC TYPE
SEE TABLE		GENERAL MARKET		DOC PART
1 OF 1				REVISION
				A3