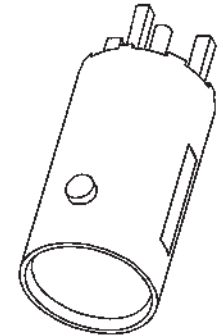
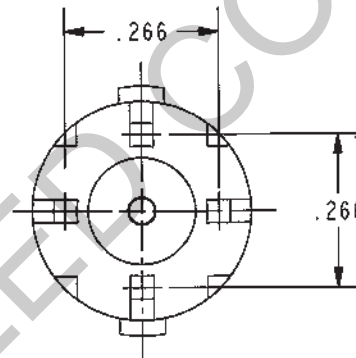
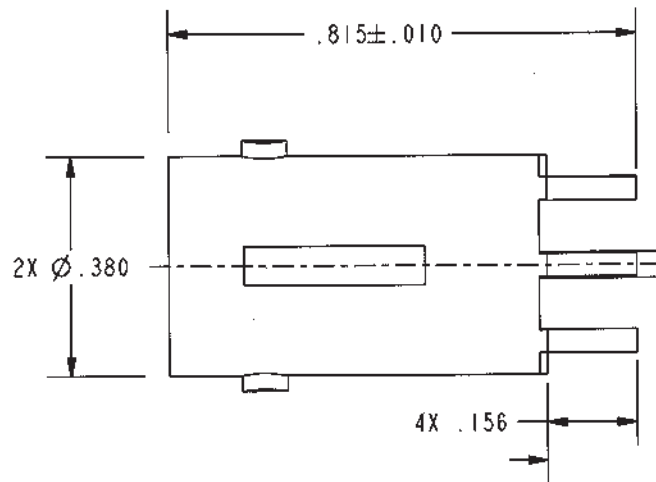


| PART NO | "A" DIMENSION | CENTER CONTACT PLATING: TFS-1B |
|-----------|---------------|-----------------------------------|
| UCBJ224 | .193±.015 | 5G; .000050 GOLD |
| UCBJ224-1 | .156±.015 | 3G; .000030 GOLD |

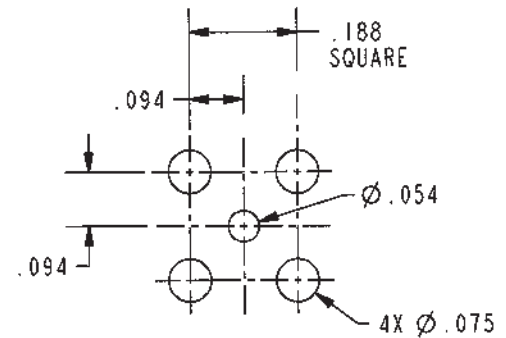
DATA CONTAINED IN THIS DOCUMENT IS PROPRIETARY TO TROMPETER ELECTRONICS, INC. AND SHALL NOT BE DISCLOSED, COPIED OR USED FOR PROCUREMENT OR MANUFACTURE WITHOUT EXPRESS WRITTEN PERMISSION.

| REVISIONS | | | |
|-----------|-------------------------|---------|--------------------|
| REV | DESCRIPTIONS | DATE | APPROVED |
| L | REVISED PER ECO # 16861 | 4/16/09 | <i>[Signature]</i> |



SCALE 2/1

SCALE 3/1



RECOMMENDED MTG HOLE PATTERN SCALE 3/1

RED INDICATES ORIGINAL


4. PRE-TIN LEGS .0015 MAXIMUM THICK WITH SN63 OR EQUIVALENT SOLDER PER QQ-S-571 TO WITHIN .060 MAXIMUM OF SHOULDER

△ CENTER CONTACT ONLY

2. FINISH: TFS-1Y (NICKEL)

1. 75 Ω CIRCUIT BOARD MOUNT, ZINC DIECAST, BNC RECEPTACLE

NOTES: UNLESS OTHERWISE SPECIFIED.

| | | | | | |
|--|---------|--|-----------------------|---|-----------------------|
| INTERPRET DRAWING PER MIL-STD-100. DIMENSIONS ARE IN INCHES AND INCLUDE FINISH UNLESS OTHERWISE SPECIFIED. | | TOL: UNLESS SPECIFIED. .XX ± .02 .XXX ± .010 ANGLE ± 1° | |  a cinch connectivity solutions brand | |
| DRW J. CARPENTER | 2-26-09 | MATERIAL: | TITLE: UCBJ224 | | |
| CHK M.J. | 4-1-09 | FINISH: | SIZE A | CAGE CODE 14949 | DRAWING NO. 1-0532 |
| MANUF | | | SCALE 3/1 | DATE 3-21-95 | REV. L |
| APPROVED <i>[Signature]</i> | 4/1/09 | DO NOT SCALE DWG | SHEET 1C | | |
| NEXT ASSY | 1-0532 | | | | |