

172133-1 ✓ ACTIVE

FASTIN-FASTON | FASTIN-FASTON 250

TE Internal #: 172133-1

Crimp Terminal Housings, Receptacle, Receptacle, 4 Position, Straight, Natural, Nylon, Contact Mating Retention, Mating Alignment, FASTIN-FASTON 250

[View on TE.com >](#)



Terminals & Splices > Terminal Housings, Insulation Sleeves & Blocks > Crimp Terminal Housings



Terminal Type: **Receptacle**

Connector & Housing Type: **Receptacle**

Number of Positions: **4**

Terminal Orientation: **Straight**

Primary Product Color: **Natural**

## Features

### Product Type Features

|                                   |              |
|-----------------------------------|--------------|
| Sealable                          | No           |
| Connector & Contact Terminates To | Wire & Cable |
| Connector & Housing Type          | Receptacle   |

### Configuration Features

|                     |   |
|---------------------|---|
| Number of Positions | 4 |
|---------------------|---|

### Body Features

|                       |         |
|-----------------------|---------|
| Primary Product Color | Natural |
|-----------------------|---------|

### Contact Features

|                          |            |
|--------------------------|------------|
| Terminal Type            | Receptacle |
| Terminal Orientation     | Straight   |
| Contact Mating Retention | With       |

### Mechanical Attachment

|                       |       |
|-----------------------|-------|
| Mating Retention Type | Latch |
|-----------------------|-------|



|                         |                            |
|-------------------------|----------------------------|
| Mating Alignment        | With                       |
| Connector Mounting Type | Cable Mount (Free-Hanging) |

### Housing Features

|                    |               |
|--------------------|---------------|
| Housing Material   | Nylon         |
| Centerline (Pitch) | 9 mm[.354 in] |

### Dimensions

|                |                  |
|----------------|------------------|
| Product Length | 28.5 mm[1.12 in] |
|----------------|------------------|

### Usage Conditions

|                             |                            |
|-----------------------------|----------------------------|
| Operating Temperature Range | -40 – 105 °C[-40 – 221 °F] |
|-----------------------------|----------------------------|

### Packaging Features

|                    |     |
|--------------------|-----|
| Packaging Quantity | 100 |
|--------------------|-----|

## Product Compliance

[For compliance documentation, visit the product page on TE.com>](#)

|   |  |
|---|--|
| EU RoHS Directive 2011/65/EU                  | Compliant  |
| EU ELV Directive 2000/53/EC                   | Compliant  |
| China RoHS 2 Directive MIIT Order No 32, 2016 | No Restricted Materials Above Threshold  |
| EU REACH Regulation (EC) No. 1907/2006        | Current ECHA Candidate List: JUNE 2023 (235)<br>Candidate List Declared Against: JAN 2023 (233)<br>Does not contain REACH SVHC |
| Halogen Content                               | Low Halogen - Br, Cl, F, I < 900 ppm per homogenous material. Also BFR/CFR/PVC Free  |
| Solder Process Capability                     | Not applicable for solder process capability   |

#### Product Compliance Disclaimer

This information is provided based on reasonable inquiry of our suppliers and represents our current actual knowledge based on the information they provided. This information is subject to change. The part numbers that TE has identified as EU RoHS compliant have a maximum concentration of 0.1% by weight in homogenous materials for lead, hexavalent chromium, mercury, PBB, PBDE, DBP, BBP, DEHP, DIBP, and 0.01% for cadmium, or qualify for an exemption to these limits as defined in the Annexes of Directive 2011/65/EU (RoHS2). Finished electrical and electronic equipment products will be CE marked as required by Directive 2011/65/EU. Components may not be CE marked. Additionally, the part numbers that TE has identified as EU ELV compliant have a maximum concentration of 0.1% by weight in homogenous materials for lead, hexavalent chromium, and mercury, and 0.01% for cadmium, or qualify for an exemption to these limits as defined in the Annexes of Directive 2000/53/EC (ELV). Regarding the REACH Regulation, the information TE provides on SVHC in articles for this part number is based on the latest European Chemicals Agency (ECHA) 'Guidance on requirements for substances in articles' posted at this URL: <https://echa.europa.eu/guidance-documents/guidance-on-reach>

## Compatible Parts



TE Part # 170340-1  
FF 250 TAB 20-14AWG BR WITHOUT LATCH



TE Part # 170341-3  
FF 250 TAB 14-12AWG PTBR WITHOUT LATCH



TE Part # 170349-2  
FF 250 TAB 22-20AWG TPBR WITHOUT LATCH



TE Part # 170340-3  
FF 250 TAB 20-14AWG PTBR WITHOUT LATCH



TE Part # 170341-1  
FF 250 TAB 14-12AWG BR WITHOUT LATCH



TE Part # 170258-2  
FF 250 REC 14-12AWG TPBR REREELING



TE Part # 170258-1  
FF 250 REC 14-12AWG BR REREELING



TE Part # 172134-2  
FF 250 PLUG HSG 4P NYLON BLACK



TE Part # 626056-5  
FASTIN-ON .110 HOUSING RECEPTACLE RED



TE Part # 170349-1  
FF 250 TAB 22-20AWG BR WITHOUT LATCH

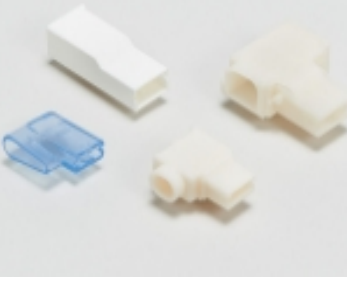


TE Part # 520947-1  
FF 250/375 REC HSG 4P SECONDARY LOCK




TE Part # 170341-4  
FF 250 TAB 14-12AWG PTBR WITHOUT LATCH


## Also in the Series | FASTIN-FASTON 250




Crimp Terminal Housings(211)



Insertion & Extraction Tools(2)

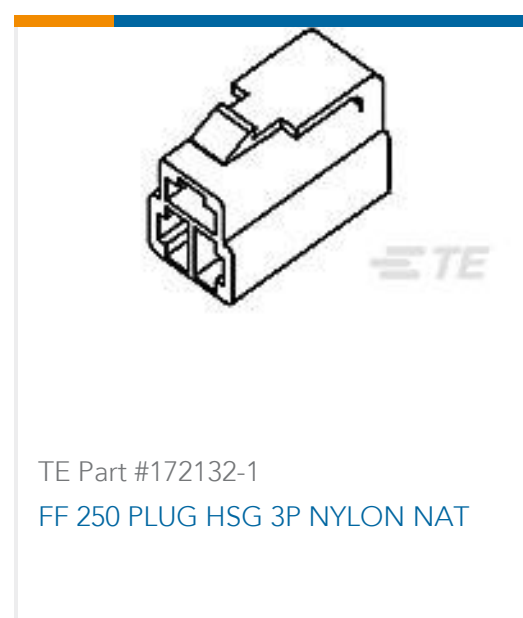
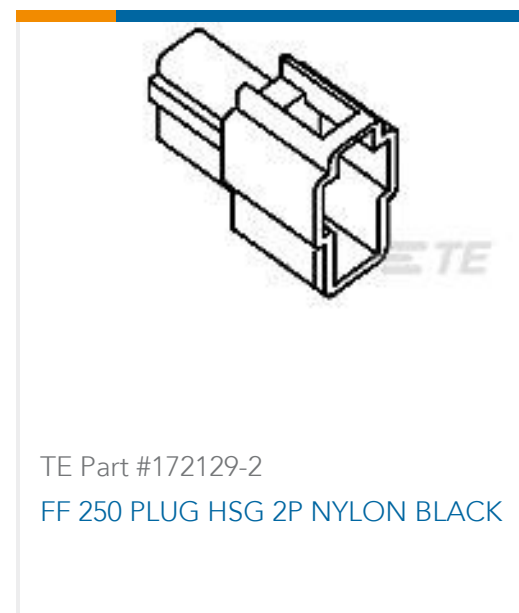
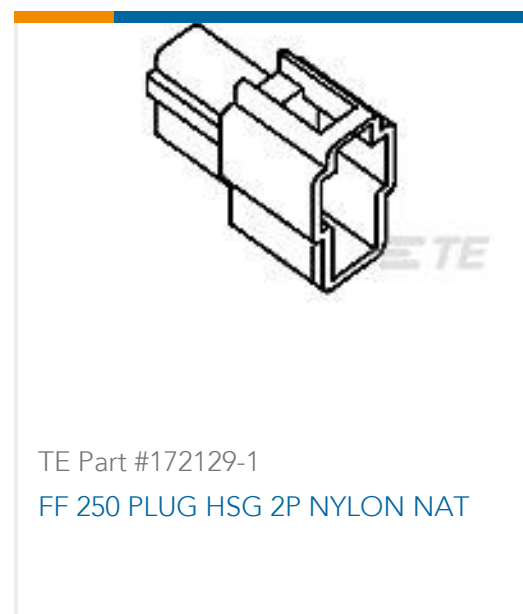


PCB Terminals(2)



Quick Disconnects(254)

## Customers Also Bought



## Documents

### Product Drawings

[FF 250 REC HSG 4P NYLON NAT](#)

English

### CAD Files

Customer View Model

[ENG\\_CVM\\_CVM\\_172133-1\\_L.2d\\_dxf.zip](#)

English

### 3D PDF

3D

Customer View Model

[ENG\\_CVM\\_CVM\\_172133-1\\_L.3d\\_igs.zip](#)

English

Customer View Model

[ENG\\_CVM\\_CVM\\_172133-1\\_L.3d\\_stp.zip](#)

English

By downloading the CAD file I accept and agree to the [Terms and Conditions](#) of use.

## Datasheets & Catalog Pages



### White Paper: Nylon Discoloration

English

---

### Product Specifications

#### Application Specification

English

---

### Product Environmental Compliance

#### Product Compliance

English

#### Product Compliance

English

---

### Instruction Sheets

#### Customer Manual (non U.S.)

Japanese

#### "250" Series, Housing Lance Connector

Japanese

---

### Agency Approvals

#### CSA Certificate

English

#### CSA Certificate

English