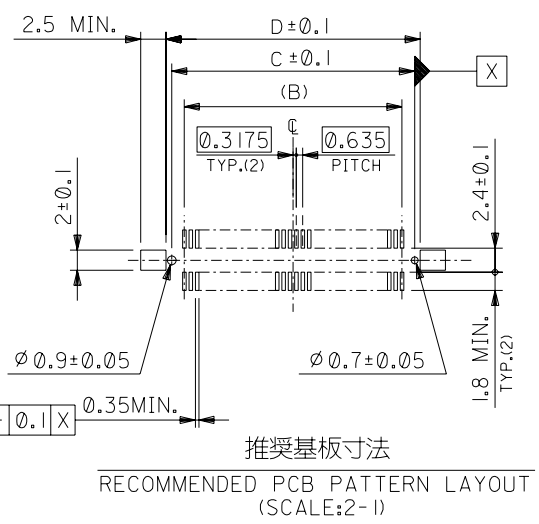
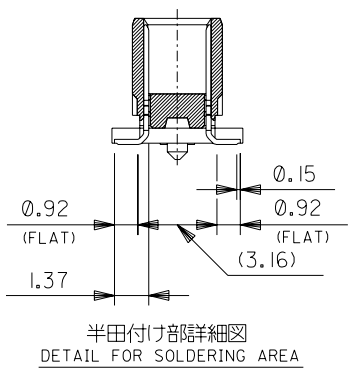
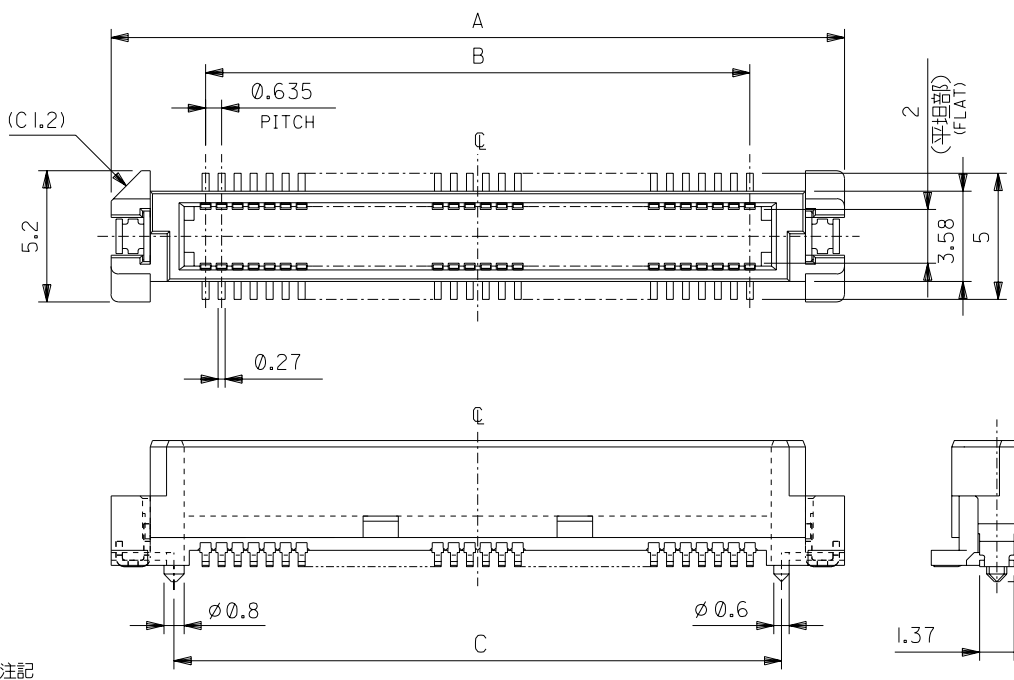


DWG. NO. SD-500599-001
 DO NOT SCALE DRAWING



注記
 NOTES:
 1. 材質
 MATERIAL
 ハウジング: LCP (液晶ポリマー)、ガラス充填、
 黒色、UL94V-0
 HOUSING: LCP (LIQUID CRYSTAL POLYMER),
 GLASS FILLED, BLACK, UL94V-0
 ターミナル: 銅合金 (t=0.2)
 TERMINAL: COPPER ALLOY (t=0.2)
 ネイル: 銅合金 (t=0.25)
 FITTING NAIL: COPPER ALLOY (t=0.25)

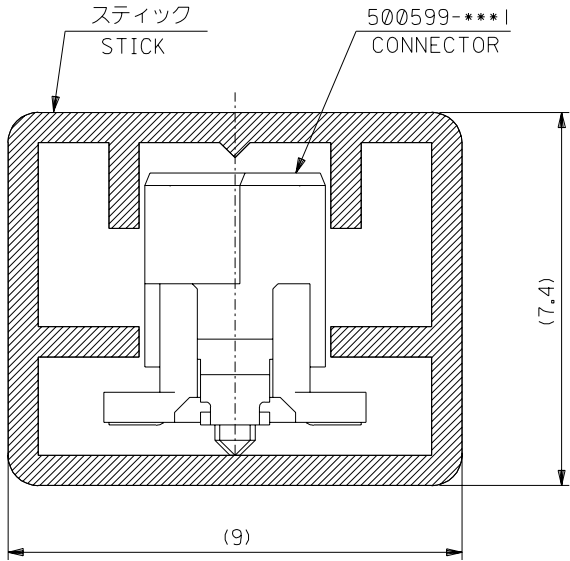
2. メッキ仕様
 PLATING
 ターミナル
 TERMINAL
 接点部: 金メッキ 0.76マイクロメートル以上
 CONTACT AREA: GOLD 0.76 MICROMETER MINIMUM
 半田付け部: 半田メッキ 1.0マイクロメートル以上
 SOLDER TAIL AREA: TIN-LEAD 1.0 MICROMETER MINIMUM
 下地メッキ: ニッケルメッキ 1.5マイクロメートル以上
 UNDER PLATING: NICKEL 1.5 MICROMETER MINIMUM
 ネイル
 NAIL
 半田メッキ 3.0マイクロメートル以上
 TIN-LEAD 3.0 MICROMETER MINIMUM
 下地メッキ: 銅メッキ 1.0マイクロメートル以上
 UNDER PLATING: COPPER 1.0 MICROMETER MINIMUM
 3. テールのバラッキ寸法
 TAIL COPLANARITY
 テール平坦度は、0.1ミリメートル以下。
 TAIL COPLANARITY TO BE 0.1 MAXIMUM.

47.42	46.32	43.815	51.32	500599-1409	500599-1401	140
D	C	B	A	スティック梱包 STICK PACKAGING	製品番号 MATERIAL NO.	極数 CIRCUITS
				DIMENSIONS:		SHT REV
				<input type="checkbox"/> mm <input type="checkbox"/> INCH <input type="checkbox"/> mm <input type="checkbox"/> INCH		<input type="checkbox"/> mm ONLY REVISE ON CAD ONLY

EC NO. DRWN: CHK: APPR:	EC NO. DRWN: CHK: APPR:	EC NO. DRWN: CHK: APPR:	EC NO. DRWN: CHK: APPR:	EC NO. DRWN: CHK: APPR:	RELEASED ECGNO. J2003-3072 DRWN: KAKUTSU CHK: K.KASAHARA APPR: TO.YAMAGUCHI	MATERIAL 材料 注記参照 SEE NOTES FINISH 仕上げ 注記参照 SEE NOTES WIRE RANGE 適用電線範囲 INS. RANGE 被覆外径	# #
----------------------------------	----------------------------------	----------------------------------	----------------------------------	----------------------------------	---	---	--------

GENERAL TOLERANCES: (UNLESS SPECIFIED) 一般公差 10 UNDER 未満 10 OVER 以上 30 UNDER 未満 30 OVER 以上 ANGLE 角度	±0.2 ±0.25 ±0.3 ±3°	SCALE 5-1 DESIGN UNITS <input checked="" type="checkbox"/> mm <input type="checkbox"/> INCH DRAWN BY & DATE K.KAKUTSU '03/06/09 CHECKED BY & DATE K.KASAHARA '03/06/09 APPROVED BY & DATE TO.YAMAGUCHI '03/06/09 CAD FILENAME SD-500599-001.S01	THIRD ANGLE PROJECTION TITLE: 0.635 PITCH B-TO-B PLUG HS'G ASS'Y MOLEX MOLEX INCORPORATED MATERIAL NO. SEE TABLE DRAWING NO. SD-500599-001 SHEET NO. 1 OF 1	THIS DRAWING CONTAINS INFORMATION THAT IS PROPRIETARY TO MOLEX INCORPORATED AND SHOULD NOT BE USED WITHOUT WRITTEN PERMISSION. SIZE B
---	------------------------------	---	--	--

DWG. NO.
SD-500599-002



注)
NOTES.

1. スティック両端はキャップ止め。
BOTH ENDS WITH CAPS.
2. 全長：600±2
TOTAL LENGTH
3. 肉厚：0.6±0.2
THICKNESS

DO NOT SCALE DRAWING

EC NO. DRWN: CHK: APPR:	EC NO. DRWN: CHK: APPR:	EC NO. DRWN: CHK: APPR:	EC NO. DRWN: CHK: APPR:
----------------------------------	----------------------------------	----------------------------------	----------------------------------

RELEASED
ECNNO. J2003-3072
DRWN: K.AKUTSU
CHK: K.KASAHARA
APPR: TO.YAMAGUCHI

MATERIAL 材料	注記参照 SEE NOTES
FINISH 仕上げ	注記参照 SEE NOTES
WIRE RANGE 適用配線範囲	— # —
INS. RANGE 被覆外径	— # —

GENERAL TOLERANCES: (UNLESS SPECIFIED) 一般公差	SCALE — # —	DESIGN UNITS <input checked="" type="checkbox"/> mm <input type="checkbox"/> INCH
10 UNDER 未満	±0.2	DRAWN BY & DATE K.AKUTSU '03/06/09
10 OVER 以上	±0.25	CHECKED BY & DATE K.KASAHARA '03/06/09
30 OVER 以上	±0.3	APPROVED BY & DATE TO.YAMAGUCHI '03/06/09
ANGLE 角度	±3°	CAD FILENAME SD-500599-002.S01

THIRD ANGLE PROJECTION	TITLE: 500599-***1 STICK PACKAGING
MATERIAL NO. DRAWING NO. SEE TABLE SD-500599-002	

11 梱包数 QUANTITY	500599-1409 製品番号 MATERIAL NO.	140 極数 CIRCUITS
DIMENSIONS: <input type="checkbox"/> mm <input type="checkbox"/> INCH		SHT REV REVISE ON CAD ONLY
MATERIAL NO. DRAWING NO. SEE TABLE SD-500599-002		
MATERIAL NO. DRAWING NO. SEE TABLE SD-500599-002		
THIS DRAWING CONTAINS INFORMATION THAT IS PROPRIETARY TO MOLEX INCORPORATED AND SHOULD NOT BE USED WITHOUT WRITTEN PERMISSION.		
SIZE B		1 OF 1