

1-172210-1 ✓ ACTIVE



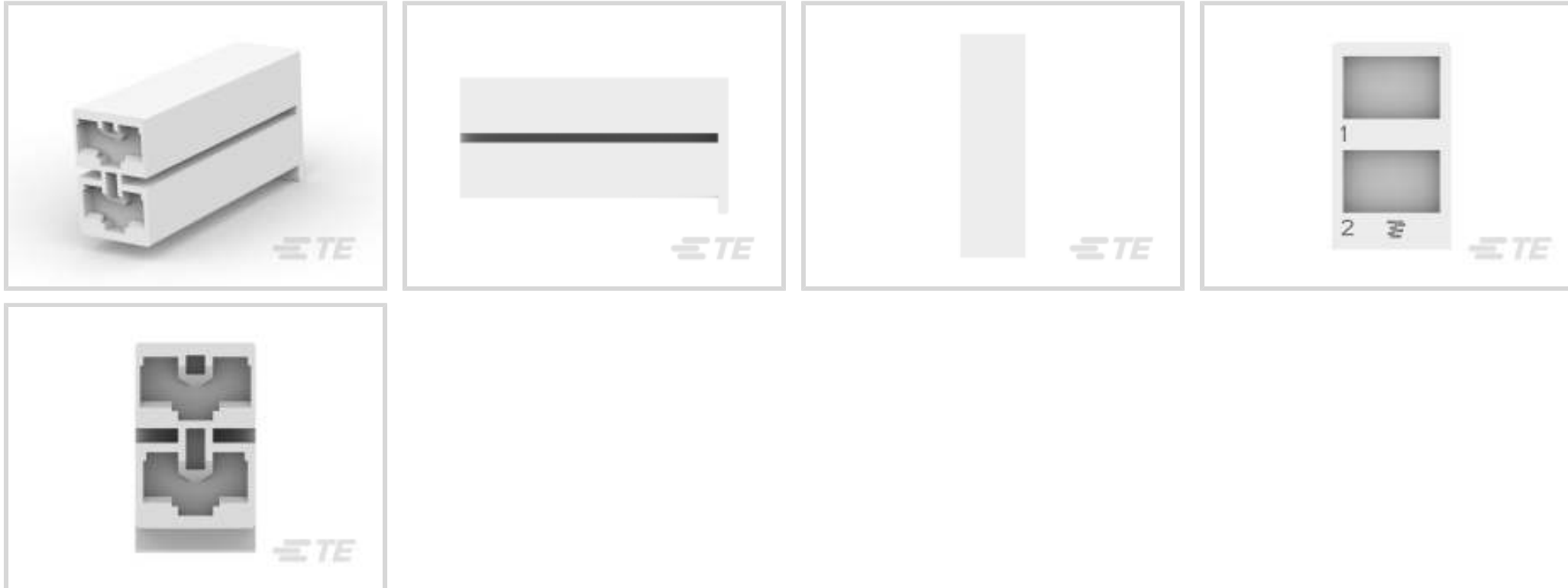
Positive Lock | Mark II, Positive Lock 187

TE Internal #: 1-172210-1

Crimp Terminal Housings, Receptacle, Receptacle, 2 Position, Straight, UL 94V-0, Natural, Nylon, Contact Mating Retention, Positive Lock 187

[View on TE.com >](#)

Terminals & Splices > Terminal Housings, Insulation Sleeves & Blocks > Crimp Terminal Housings



Terminal Type: **Receptacle**

Connector & Housing Type: **Receptacle**

Number of Positions: **2**

Terminal Orientation: **Straight**

UL Flammability Rating: **UL 94V-0**

Features

Product Type Features

Sealable	No
Connector System	Wire-to-Board, Wire-to-Wire
Connector & Contact Terminates To	Wire & Cable
Connector & Housing Type	Receptacle

Configuration Features

Number of Positions	2
---------------------	---

Body Features

Primary Product Color	Natural
-----------------------	---------

Contact Features

Terminal Type	Receptacle
Terminal Orientation	Straight
Contact Mating Retention	With

Mechanical Attachment



Mating Alignment Type	Polarization
Mating Retention Type	Latch
Mating Alignment	With
Connector Mounting Type	Cable Mount (Free-Hanging)

Housing Features

Housing Material	Nylon
Centerline (Pitch)	6 mm [.236 in]

Usage Conditions

Operating Temperature Range	-40 – 105 °C [-40 – 221 °F]
-----------------------------	-----------------------------

Industry Standards

UL Flammability Rating	UL 94V-0
------------------------	----------

Packaging Features

Packaging Quantity	1000
--------------------	------

Product Compliance

[For compliance documentation, visit the product page on TE.com>](#)
















EU RoHS Directive 2011/65/EU	Compliant
EU ELV Directive 2000/53/EC	Compliant
China RoHS 2 Directive MIIT Order No 32, 2016	No Restricted Materials Above Threshold
EU REACH Regulation (EC) No. 1907/2006	Current ECHA Candidate List: JUNE 2023 (235) Candidate List Declared Against: JAN 2023 (233) Does not contain REACH SVHC
Halogen Content	Low Halogen - Br, Cl, F, I < 900 ppm per homogenous material. Also BFR/CFR/PVC Free
Solder Process Capability	Not applicable for solder process capability

Product Compliance Disclaimer

This information is provided based on reasonable inquiry of our suppliers and represents our current actual knowledge based on the information they provided. This information is subject to change. The part numbers that TE has identified as EU RoHS compliant have a maximum concentration of 0.1% by weight in homogenous materials for lead, hexavalent chromium, mercury, PBB, PBDE, DBP, BBP, DEHP, DIBP, and 0.01% for cadmium, or qualify for an exemption to these limits as defined in the Annexes of Directive 2011/65/EU (RoHS2). Finished electrical and electronic equipment products will be CE marked as required by Directive 2011/65/EU. Components may not be CE marked. Additionally, the part numbers that TE has identified as EU ELV compliant have a maximum concentration of 0.1% by weight in homogenous materials for lead, hexavalent chromium, and mercury, and 0.01% for cadmium, or qualify for an exemption to these limits as defined in the Annexes of Directive 2000/53/EC (ELV). Regarding the REACH Regulation, the information TE provides on SVHC in articles for this part number is based on the latest European Chemicals Agency (ECHA) 'Guidance on

requirements for substances in articles' posted at this URL: <https://echa.europa.eu/guidance-documents/guidance-on-reach>

Compatible Parts

 <p>TE Part # 170330-2 PL 187 RECEPTACLE 24-20 AWG NPPHBZ</p>	 <p>TE Part # 170332-1 PL 187 RECEPTACLE 18-14 AWG PTPBR</p>	 <p>TE Part # 170324-2 PL 187 RECEPTACLE 24-20 AWG 0.3 NPCU</p>	 <p>TE Part # 170326-5 187 PL MKII REC. 18-14AWG PTPB</p>
 <p>TE Part # 170326-1 187 PL MKII REC. 18-14AWG PTBR</p>	 <p>TE Part # 170325-5 187 PL MKII REC. 20-16AWG PTBR</p>	 <p>TE Part # 170325-1 187 PL MKII REC. 20-16AWG PTBR</p>	 <p>TE Part # 170324-1 187 PL MKII REC. 24-20AWG PTBR</p>
 <p>TE Part # 170331-1 PL MKII 187 REC 20-16AWG PTBR LP</p>	 <p>TE Part # 170330-1 PL MKII 187 REC 24-20AWG PTBR LP</p>	 <p>TE Part # 175032-1 PL 187 REC 26-20 AWG 0.30 X 14.0 SS</p>	 <p>TE Part # 1-176448-1 187 POSITIVE LOCK MK-II TAB HSG 1POS</p>
 <p>TE Part # 2-1743068-1 187 HSG. PL MKII REC. 5mm 3P NAT</p>	 <p>TE Part # 2-174712-1 PL MK2 2P 187 HOUSING REC NATURAL</p>	 <p>TE Part # 2297529-1 187 P.LOCK MK-II REC FOR 0.8T HIGH TEMP</p>	 <p>TE Part # 3-172076-1 POSITIVE LOCK 250 HOUSING RECEPTACLE</p>

Also in the Series | **Mark II**



Automotive Housings(7)



Automotive Terminals(22)



Crimp Terminal Housings(76)



Insertion & Extraction Tools(2)



Quick Disconnects(57)

Also in the Series | Positive Lock 187



Crimp Terminal Housings(86)



Insertion & Extraction Tools(2)

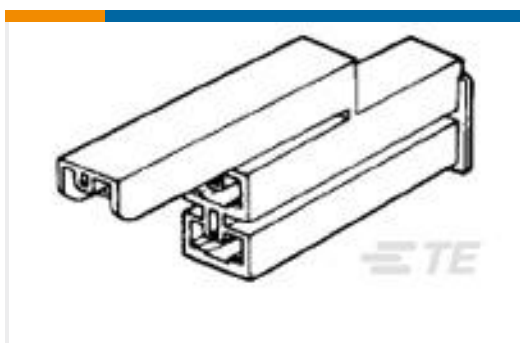


Insulation Boots & Sleeves(7)

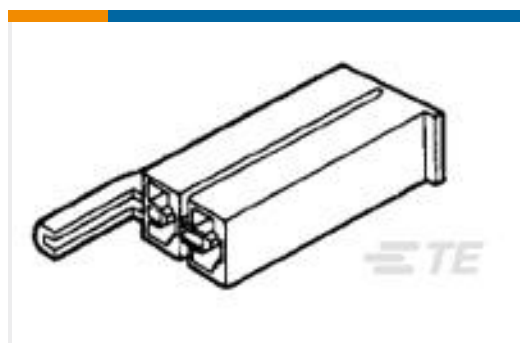


Quick Disconnects(55)

Customers Also Bought



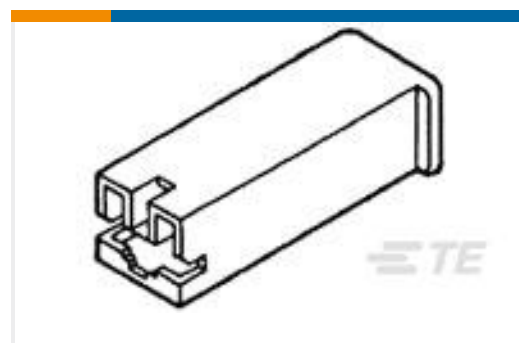
TE Part #1-172075-1
3 POS PL 187(4.8 MM) HOUSING
NATURAL



TE Part #1-174587-1
PL MK2 2P 187 HOUSING
RECEPTACLE NAT



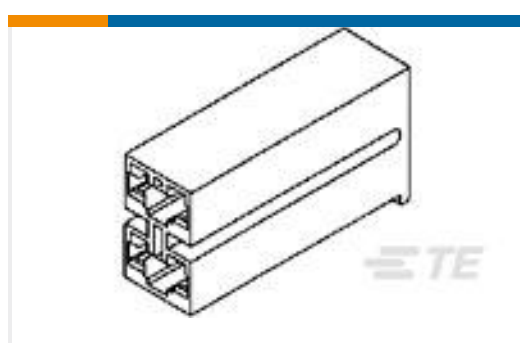
TE Part #8-1601046-1
331-101-000=WIRE2WIRE,STD,SMZ



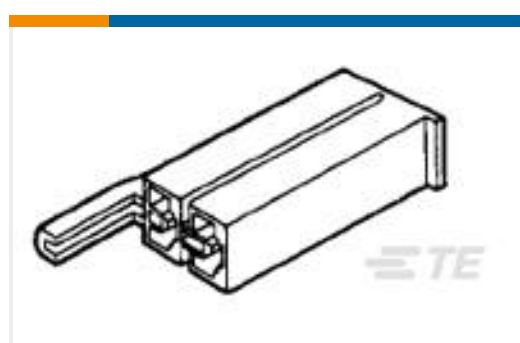
TE Part #2-172076-1
250 HSG. PL MKII REC. NAT



TE Part #2232563-1
GHC 9.0MM 3POS TPA



TE Part #172210-1
POSITIVE LOCK 250 HOUSING
RECEPTACLE



TE Part #1-174587-7
PL MK2 2POS 187 HOUSING
RECEPTACLE RED



TE Part #1-2232564-1
GHC 6.2MM 3POS TPA HSG



Documents

Product Drawings

[187 HSG. PL MKII REC. 6mm 2P NAT](#)

English

CAD Files

[3D PDF](#)

3D

[Customer View Model](#)

[ENG_CVM_CVM_1-172210-1_R.2d_dxf.zip](#)

English

[Customer View Model](#)

[ENG_CVM_CVM_1-172210-1_R.3d_igs.zip](#)

English

[Customer View Model](#)

[ENG_CVM_CVM_1-172210-1_R.3d_stp.zip](#)

English

By downloading the CAD file I accept and agree to the [Terms and Conditions](#) of use.

Datasheets & Catalog Pages

[Positive Lock Receptacles](#)

English

Product Environmental Compliance

[MD_1-172210-1_05052016554_dmtec](#)

English

[MD_1-172210-1_05052016554_dmtec](#)

English

Agency Approvals

[UL Report](#)

English