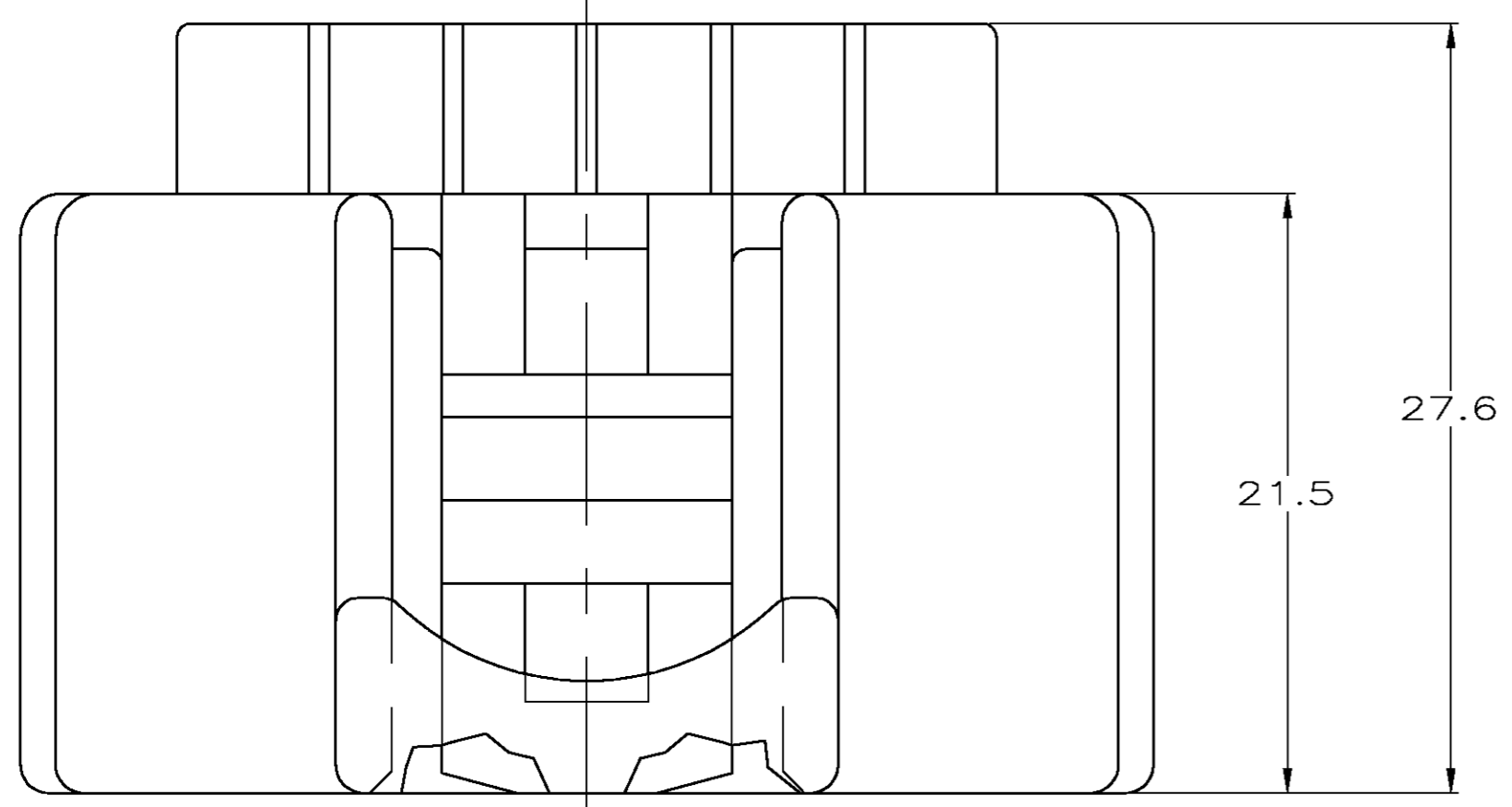
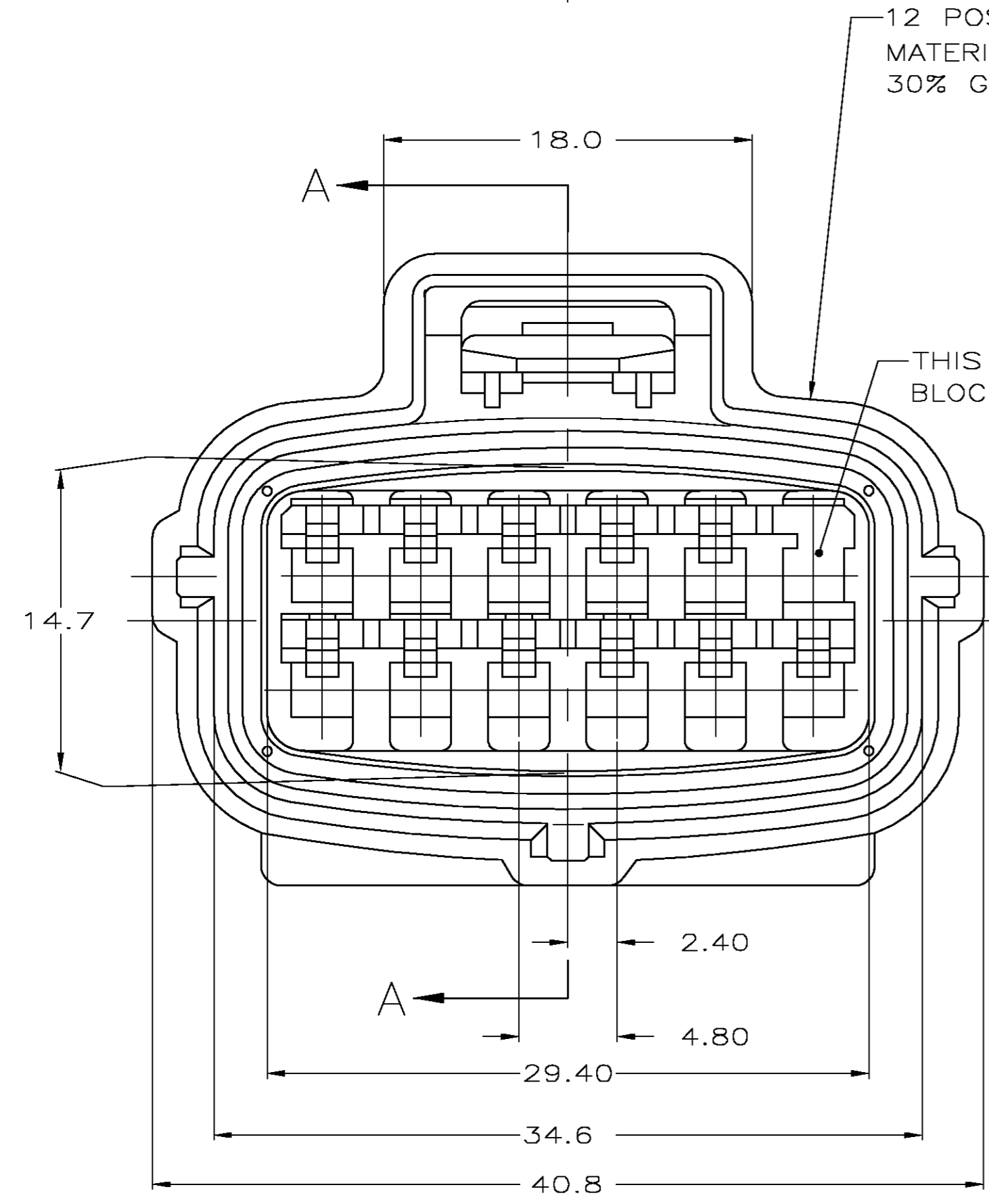


THIS DRAWING IS UNPUBLISHED. RELEASED FOR PUBLICATION
 © COPYRIGHT BY TYCO ELECTRONICS CORPORATION. ALL RIGHTS RESERVED.

LOC	DIST	REVISIONS					
GE	00	P	LTR	DESCRIPTION	DATE	DWN	APVD
		J		REV PER EC 0K40-0448-03	25JUN03	AH	KLC



SECONDARY LOCK PLATE, P/N 184058-1, REQUIRED AS A SEPARATE COMPONENT.

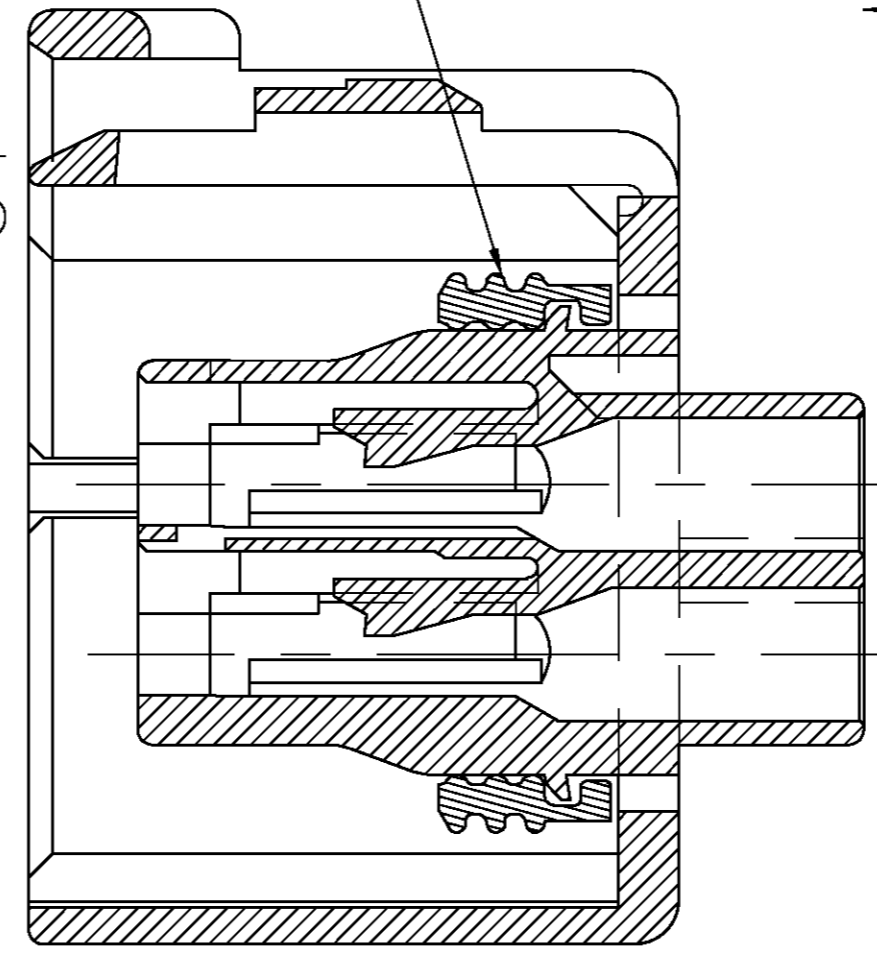


12 POSITION PLUG
 MATERIAL: 4/6 NYLON
 30% GLASS FILLED

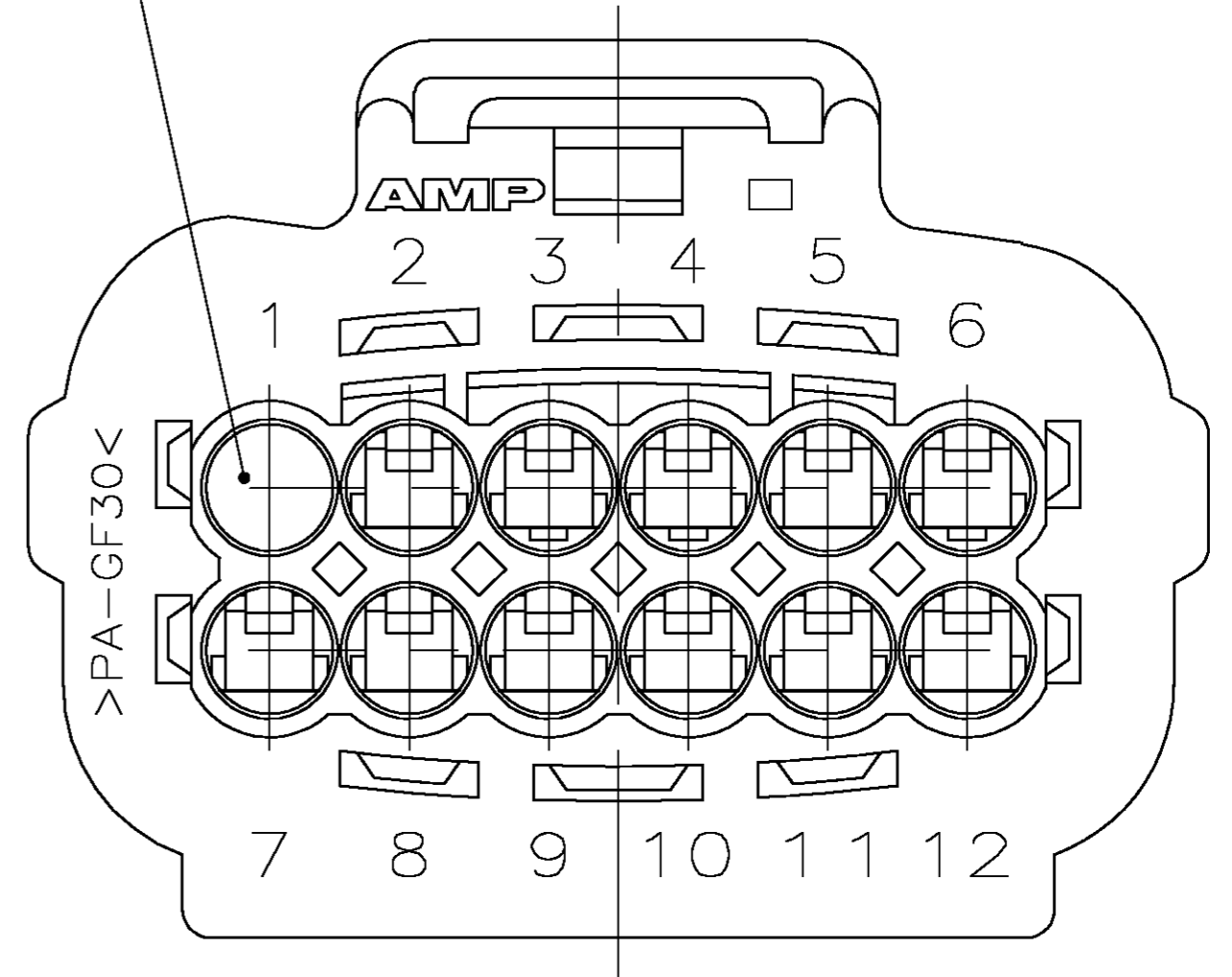
SEAL RING
 MATERIAL:
 SILICONE RUBBER

THIS CIRCUIT
 BLOCKED (#1)

THIS CIRCUIT
 BLOCKED



SECTION A-A



VIEW B-B

THIS DRAWING IS A CONTROLLED DOCUMENT.

DIMENSIONS:	TOLERANCES UNLESS OTHERWISE SPECIFIED:
MM	0 PLC ± -
	1 PLC ± 0.3
	2 PLC ± 0.15
	3 PLC ± -
	4 PLC ± -
	ANGLES ± -
	FINISH -

DWN	KD LYTL	5/16/94
CHK	JP KUNKLE	11/10/94
APVD	JP KUNKLE	11/10/94
PRODUCT SPEC		
APPLICATION SPEC		
WEIGHT		
CUSTOMER DRAWING		

BLACK	184097-1
PLUG COLOR	PART NUMBER
Tyco Electronics Corporation Harrisburg, PA 17105-3608	
NAME	12 POSITION PLUG ASSY.
SIZE	A2
CAGE CODE	00779
DRAWING NO	C=184097
RESTRICTED TO	
SCALE	4:1
SHEET	1 OF 1
REV	J