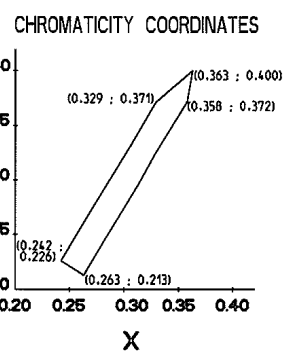
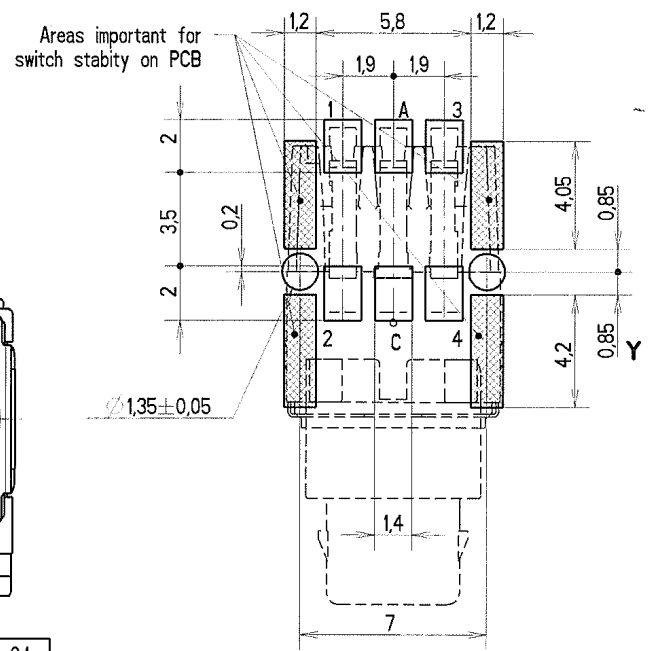
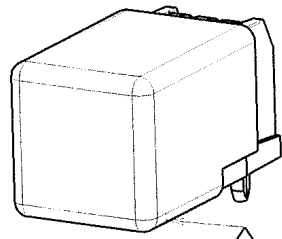
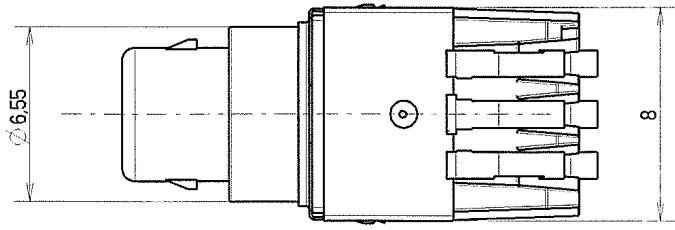
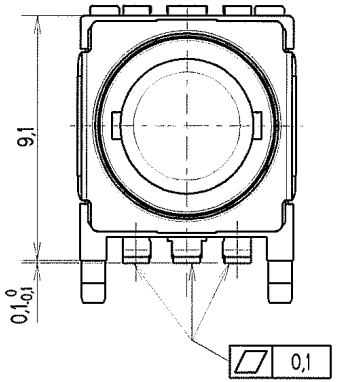
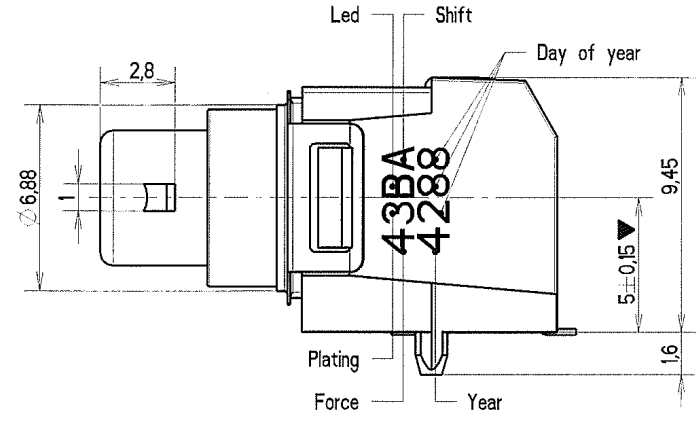


RECOMMENDED PCB LAYOUT (WITH HOLES)
TOP VIEW



1
2
3



SCALE 3

PART NUMBER	DESIGNATION	CODE	LED COLOR	TEST CONDITIONS (mA)	LUMINOUS INTENSITY (mcd) Min. / Typ. / Max. If : 20 mA	MAX VOLTAGE (V)	MAX CURRENT (mA)	INTERNAL CONTACTS PLATING	SMT TERMINAL PLATING
71 343 1B1 FP	K5V2WX43G	43B	WHITE	20	480 / 990 / 1500	4	30	Au	Au

MATIERE	TRAITEMENT	PROTECTION
SAUF INDIQUE : -COTES DONNEES AVANT PROTECTION -BAVURES ET ARETES VIVES SUPPRIMEES	TOL LINEAIRE ± 0,1 TOL ANGULAIRE ± 1° ETAT DE SURFACE Ra	DIMENSIONS CRITIQUES 2 DIMENSIONS SPC 0
DESSINE JUPILLE P	DATE 24/09/2009	ANALYSE N TAB. FAM. N PROVE 0
VERIFIE	DATE	LANGUE E
APPROUVE KUBAT L.	DATE 24/09/2009	REPLACE
 C&K Components	PROJECTION 1ER DIEDRE	DESIGNATION K5V 2WX43 G
	ECHELLE 5,000	
TAILLE A3	FEUILLE 1 / 1	NUMERO 71 343 1B1 FP
SYSTEM CONFIDENTIAL		REV

BP 359 - 39105 Dole - FRANCE -

NOTE :
 1 Be careful for this version : static electricity can damage the LED.
 2 For product characteristics , see product specification P5-K5V-033.
 3 Delivered with a protector for Lead Free reflow sheet processes.

CE P. NE PEUT ETRE REPRODUIT NI COMMUNIQUE SANS SON AUTORISATION