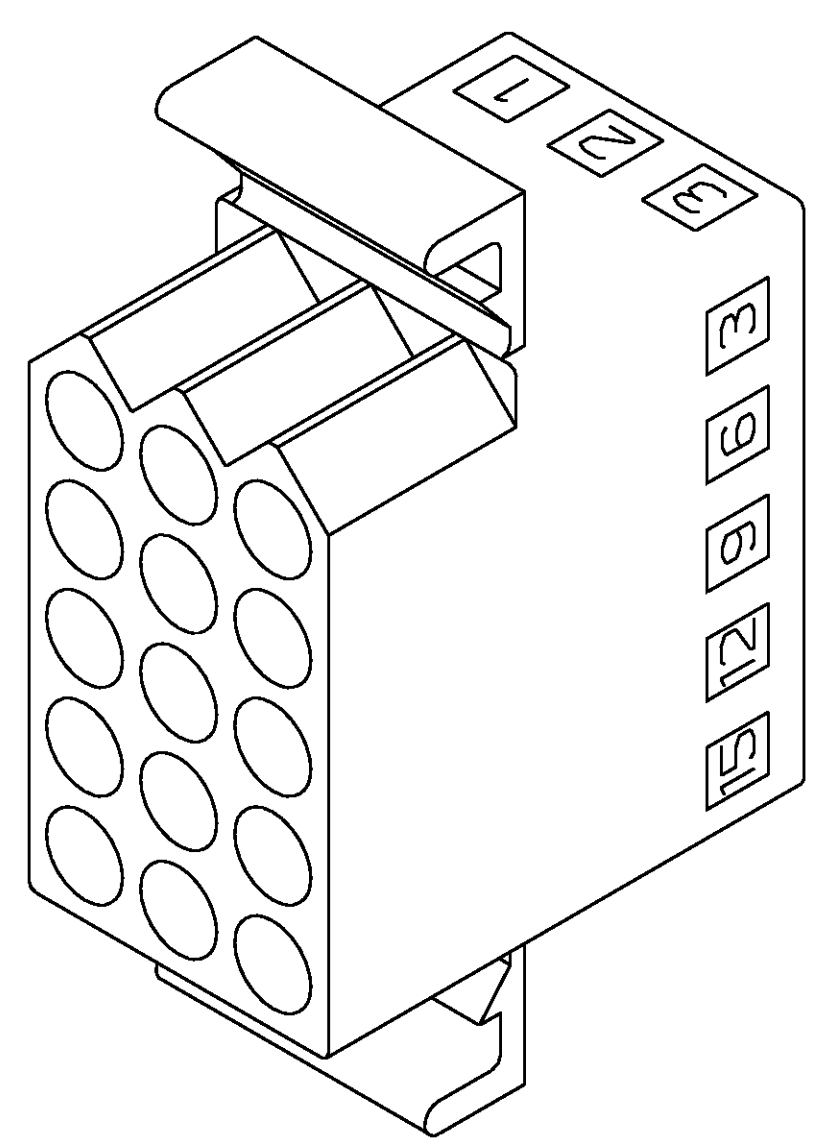
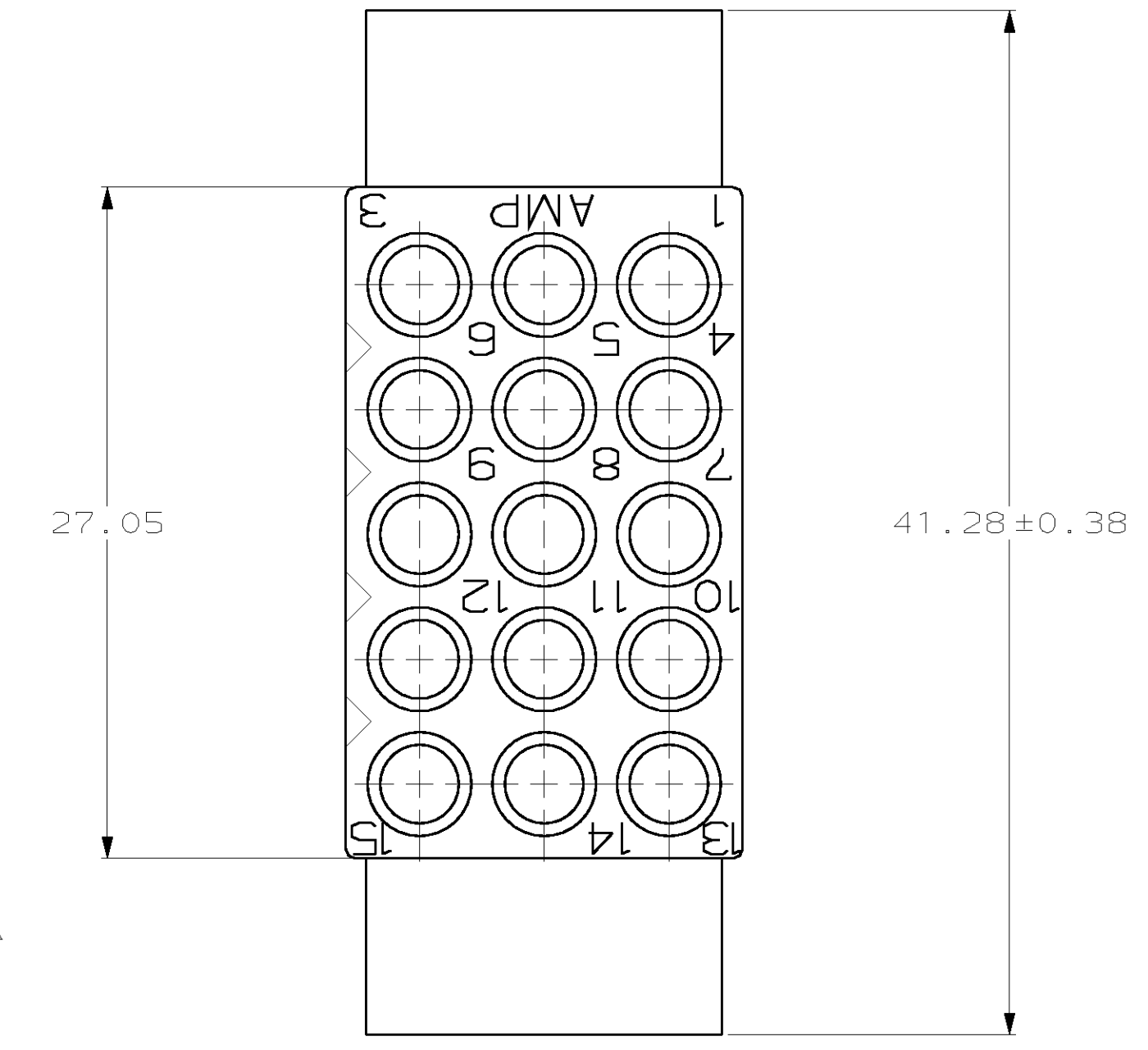
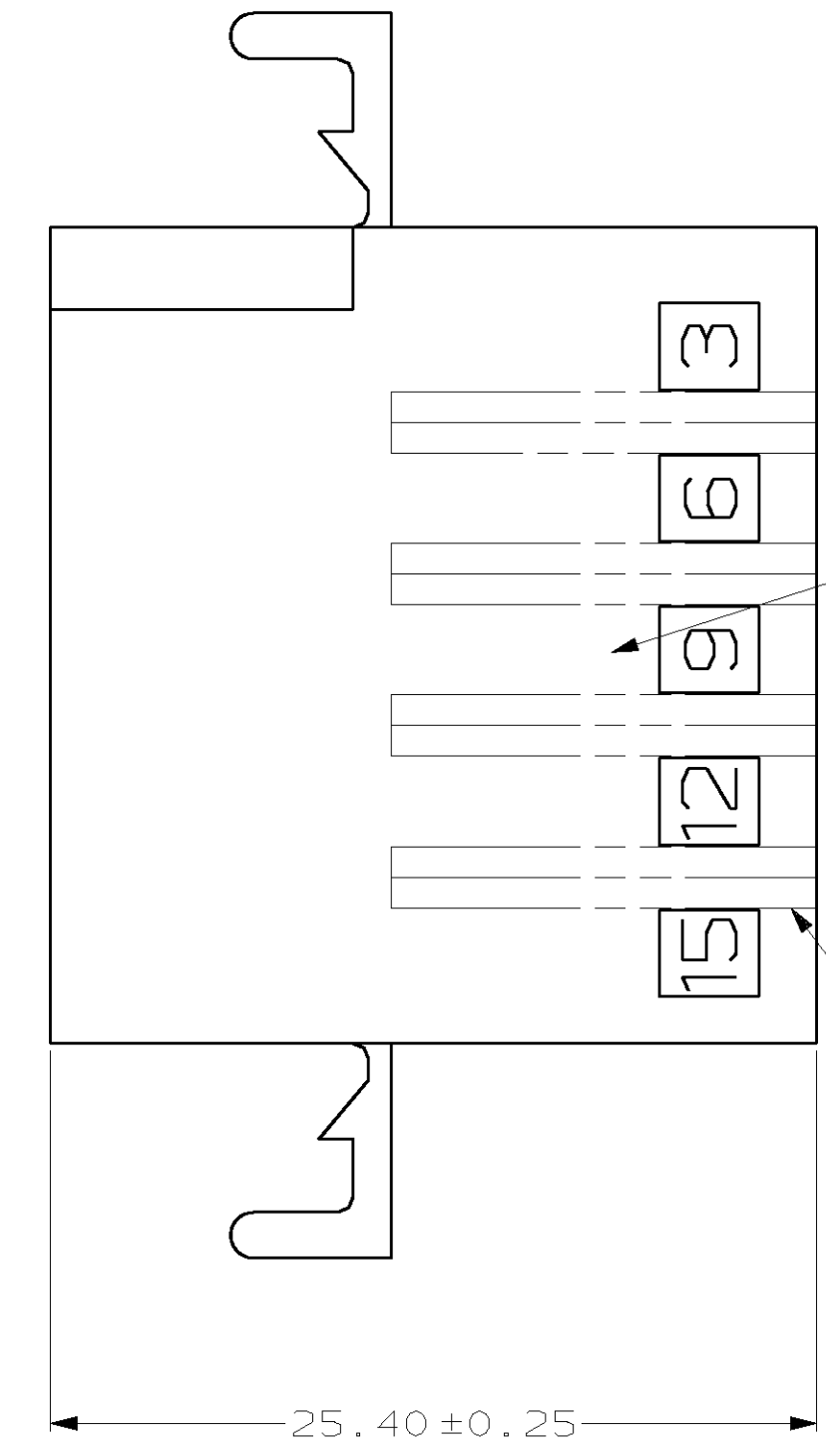
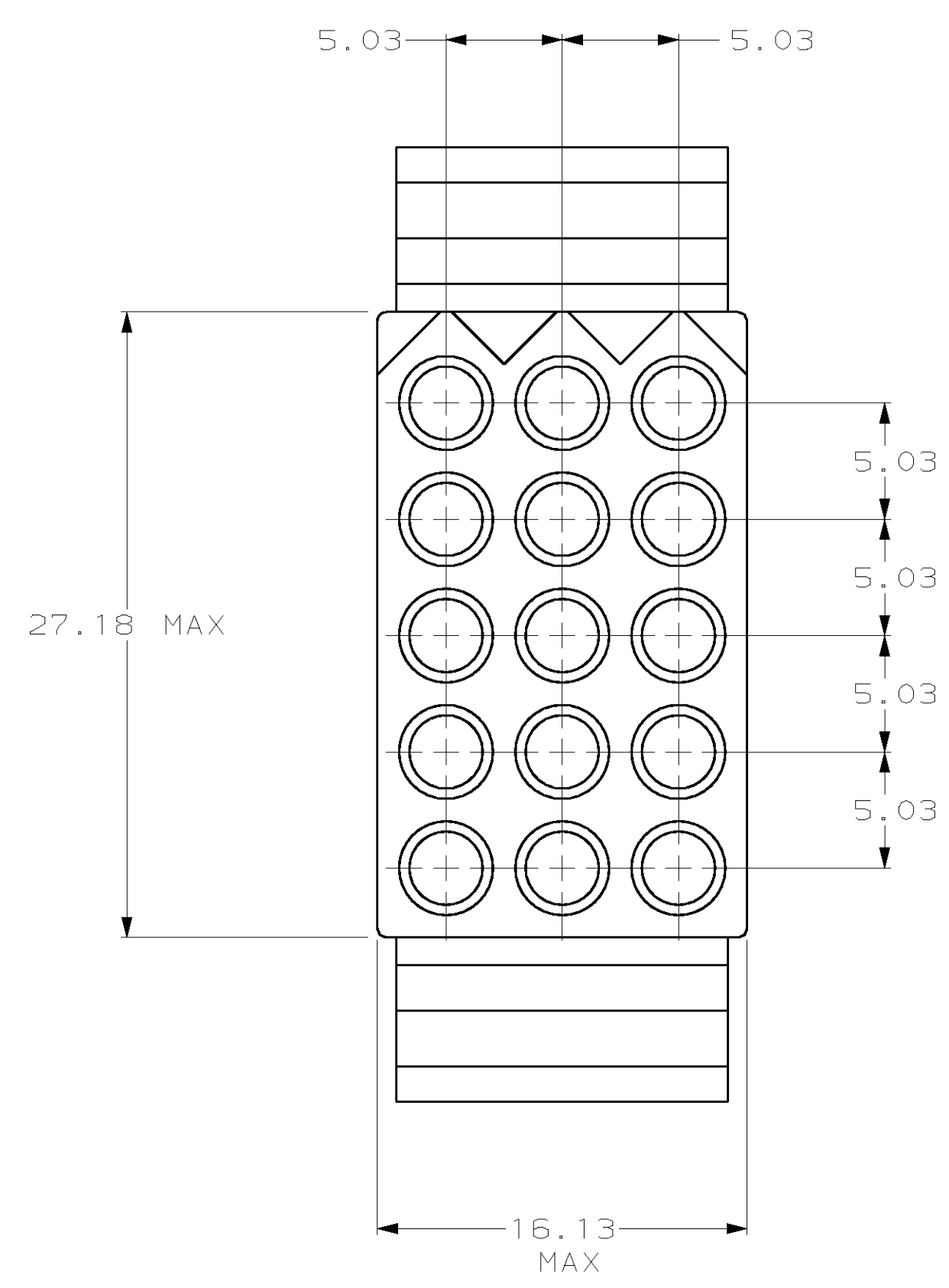
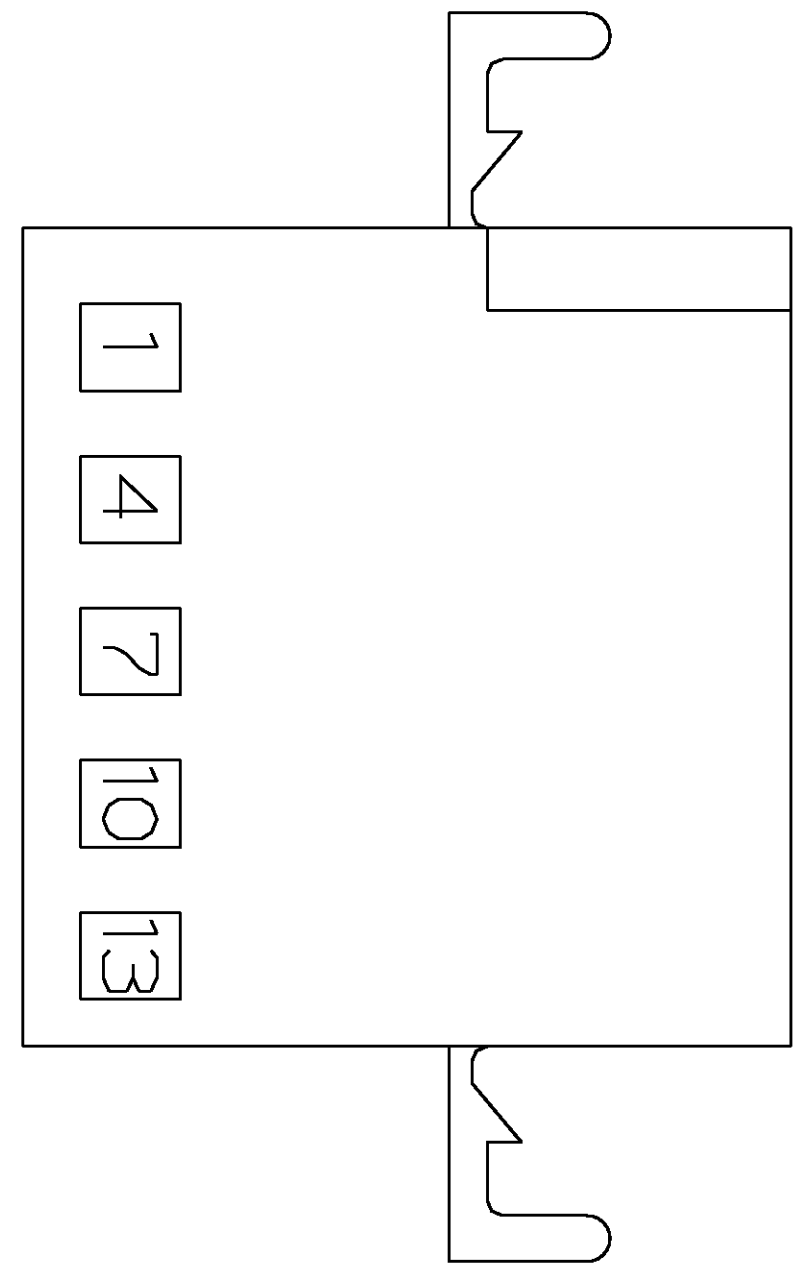
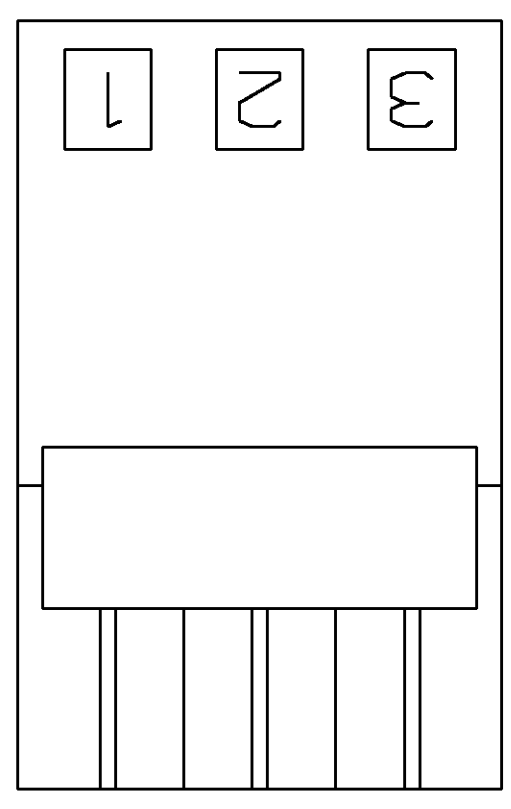
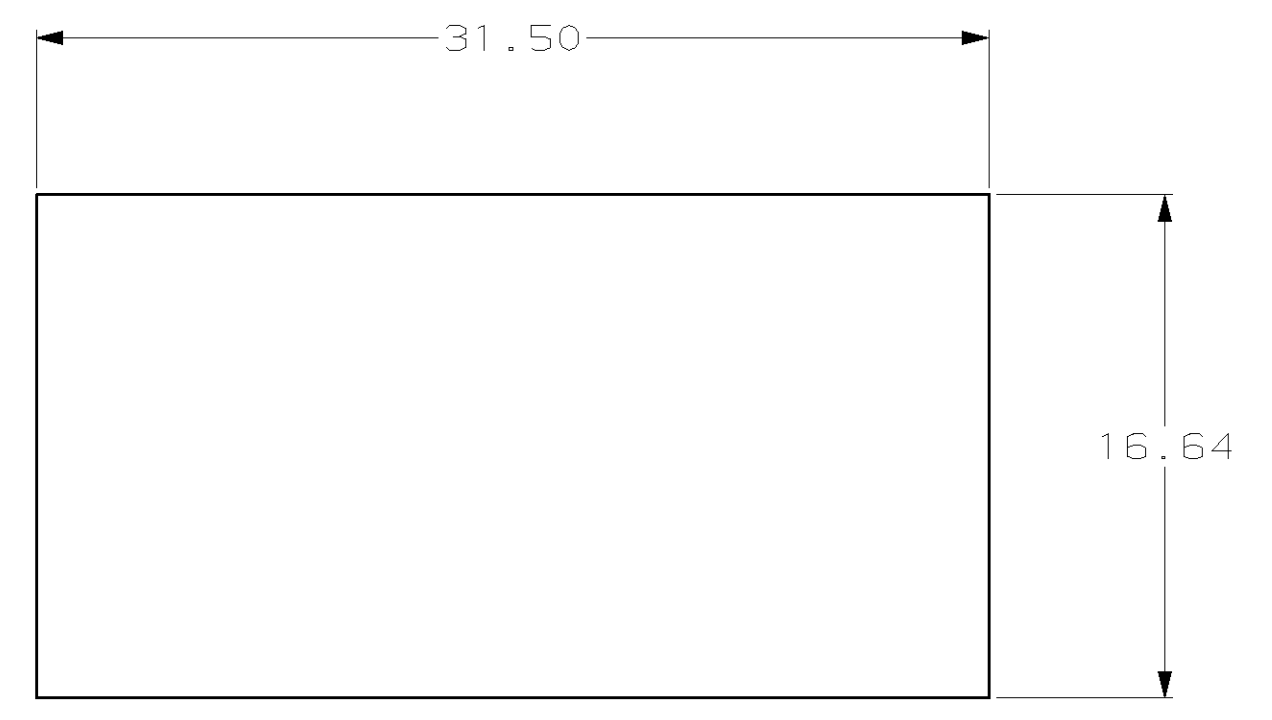
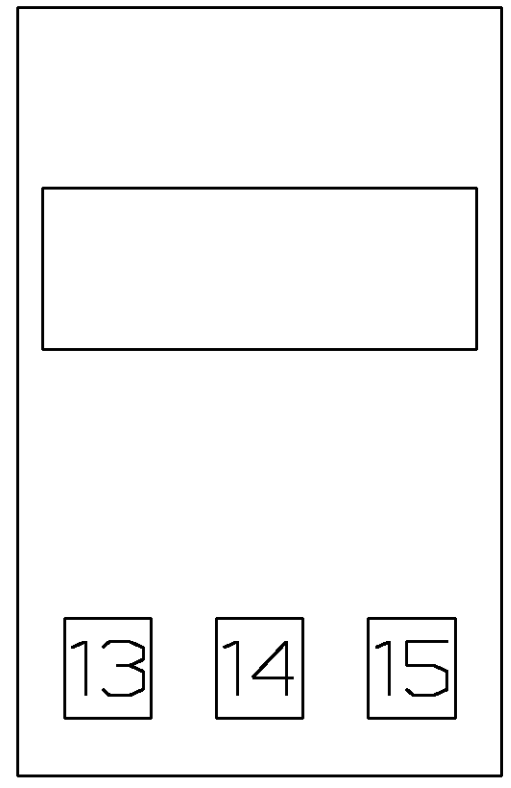


LOC	DIST	REVISIONS			
F	LTR	DESCRIPTION	DATE	OWN	APPRO
G		REV & REDWN PER EC 0G1B-00B7-99	04-JUN-99	KW	J5

- 1. RECOMMENDED PANEL THICKNESS 2.29 MAX.
- 2. OPTIONAL CONSTRUCTION.
- 3. MARKING FOR UL LOGO AND CSA LOGO LOCATED APPROXIMATELY AS SHOWN.



3-DIMENSIONAL MODEL
NTS



RECOMMENDED PANEL CUT OUT

16.13	.635	-	-
5.03	.198	41.28	1.625
2.36	.093	31.50	1.240
2.29	.090	27.18	1.070
0.38	.015	27.05	1.065
0.25	.010	25.40	1.000
0.13	.005	16.64	.655
MM	IN	MM	IN

CONVERSION TABLE



THIS DRAWING IS A CONTROLLED DOCUMENT.

DW	K. WHITAKER	04-JUN-1999
CHK	J. SCHLUNZ	04-JUN-1999
APPRO	J. SCHLUNZ	04-JUN-1999

AMP AMP Incorporated
Harrisburg, PA 17105-3608

NAME: RECEPTACLE, 15 CIRCUIT,
.093 COMMERCIAL PIN AND SOCKET

SIZE: A1 CAGE CODE: 007799 DRAWING NO: 770103 RESTRICTED TO: -

CUSTOMER DRAWING SCALE: 4:1 SHEET: 1 OF 1 REV: G