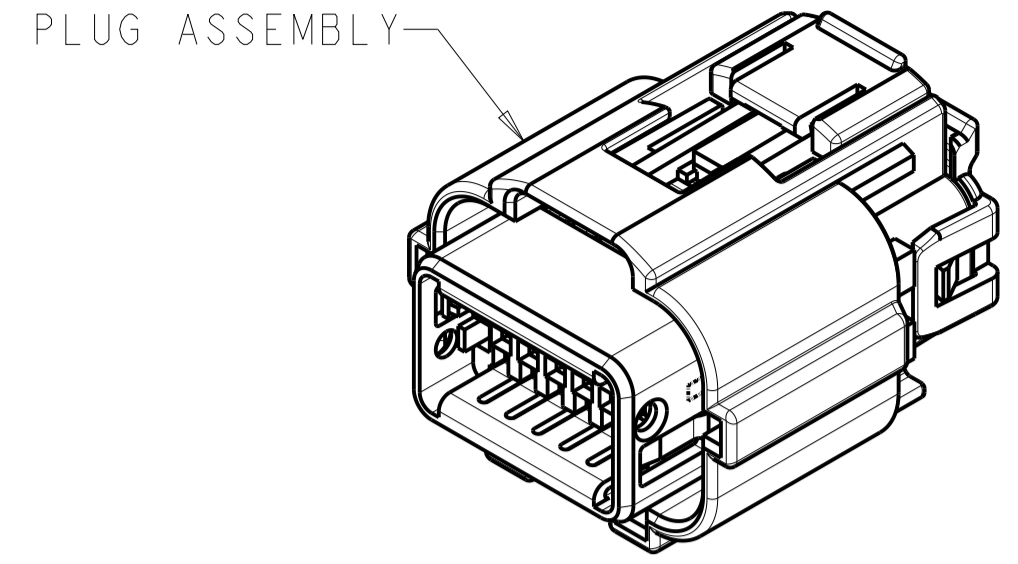
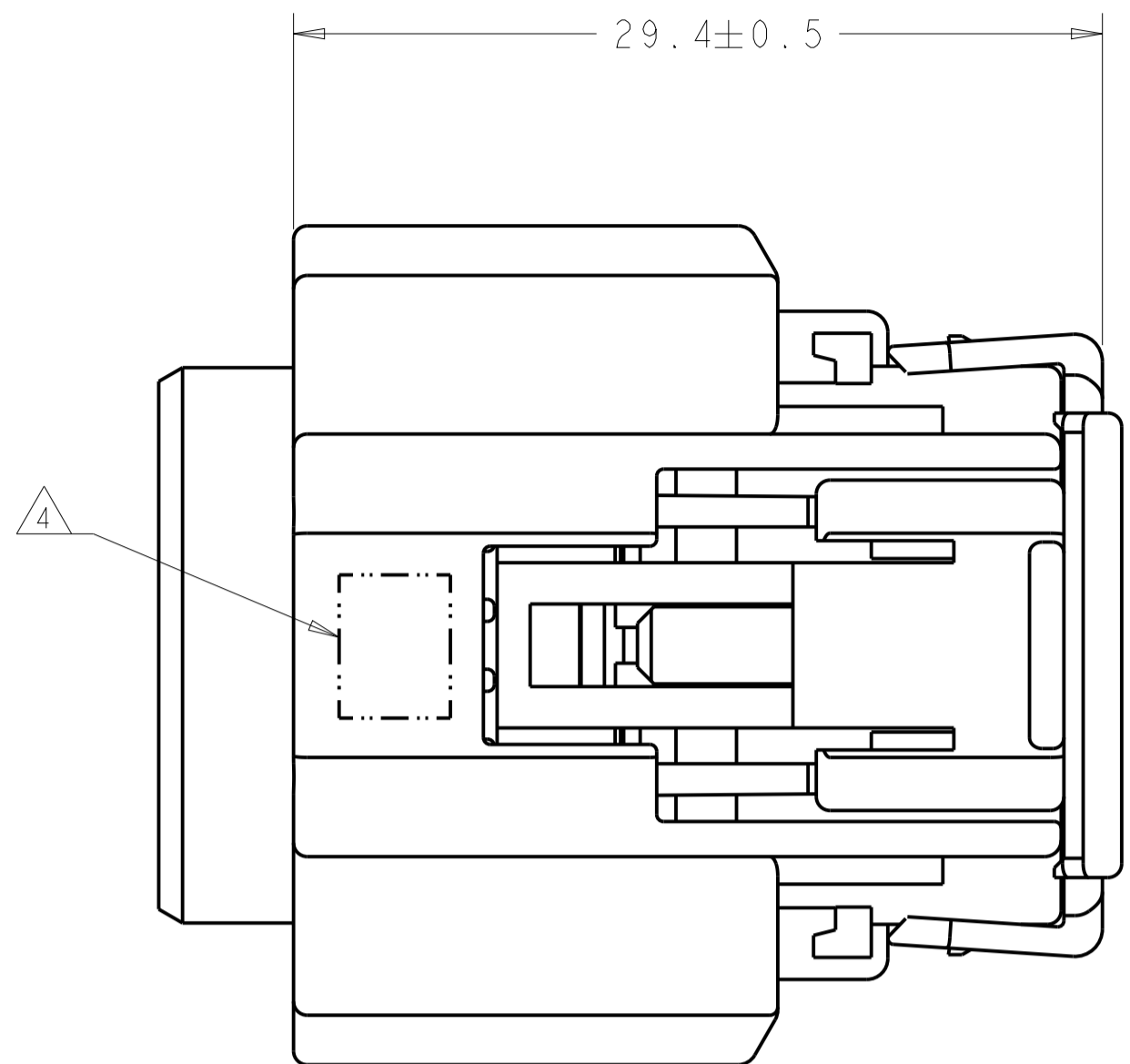
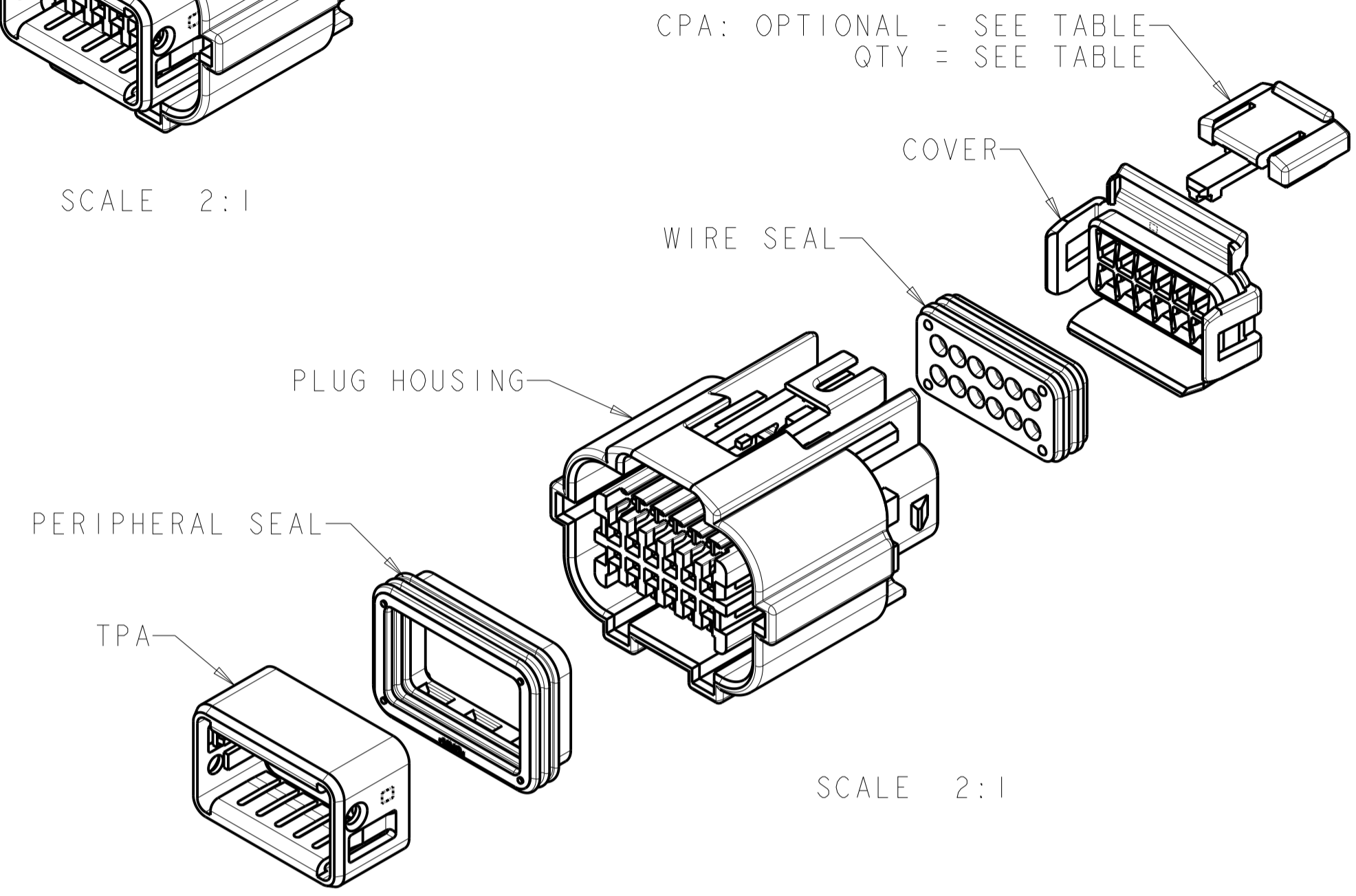


REVISIONS				
P	LTN	DESCRIPTION	DATE	APPROV
K		ADDED: -52 PER EC 0K80-0046-04	02MAR2004	DLD TMS
L		OBSOLETE: -1 THRU -4; EC 0K80-0053-04	09MAR2004	DLD TMS
M		REVISED PER EC 0K80-0331-04	02SEP2004	AH CS
M1		REVISED PER ECO-20-012414	23APR2021	AP JRV

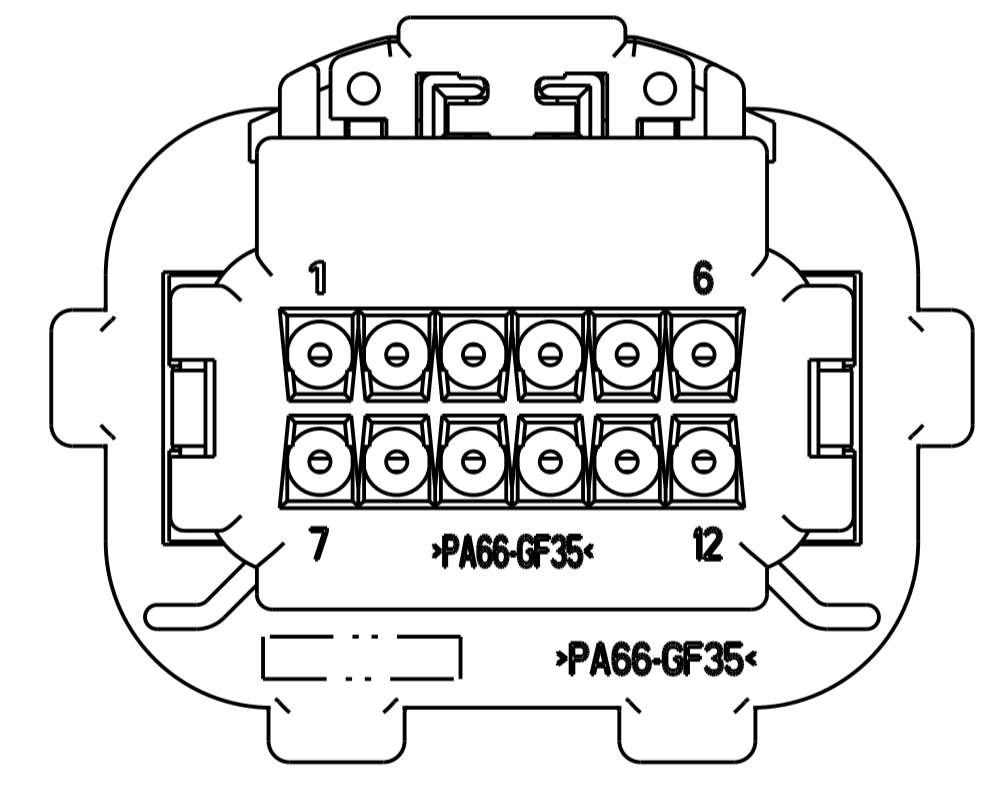
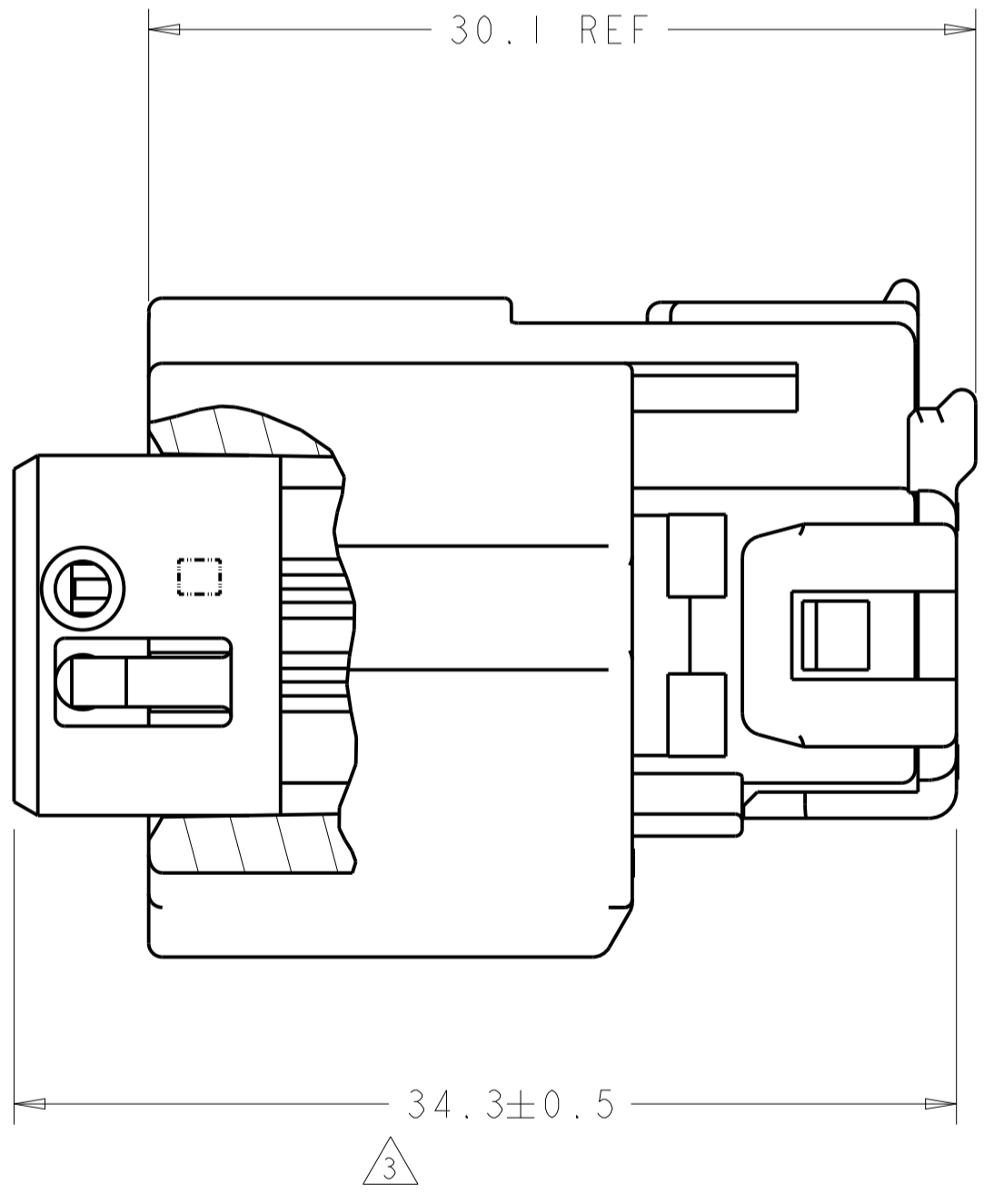
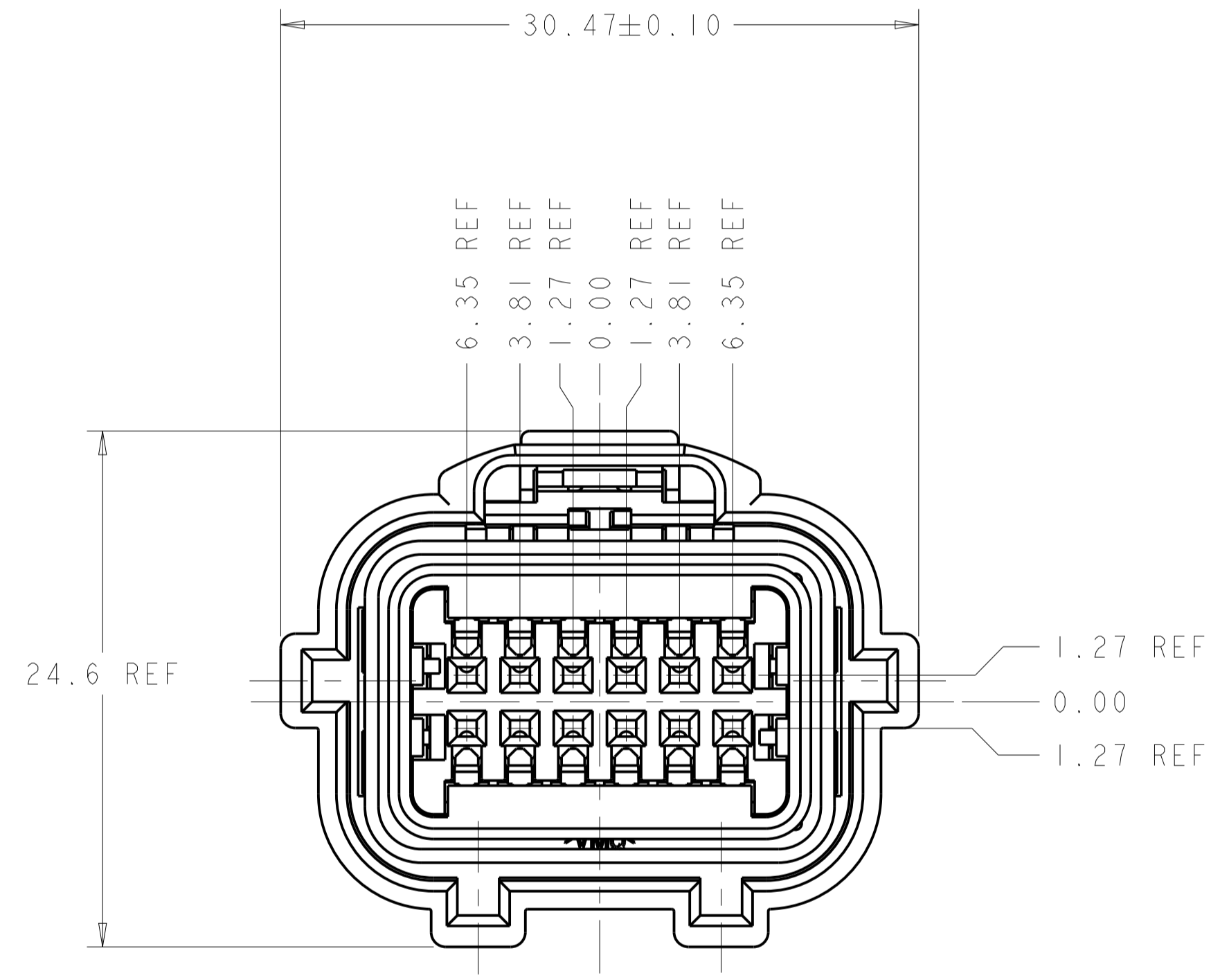


SCALE 2:1

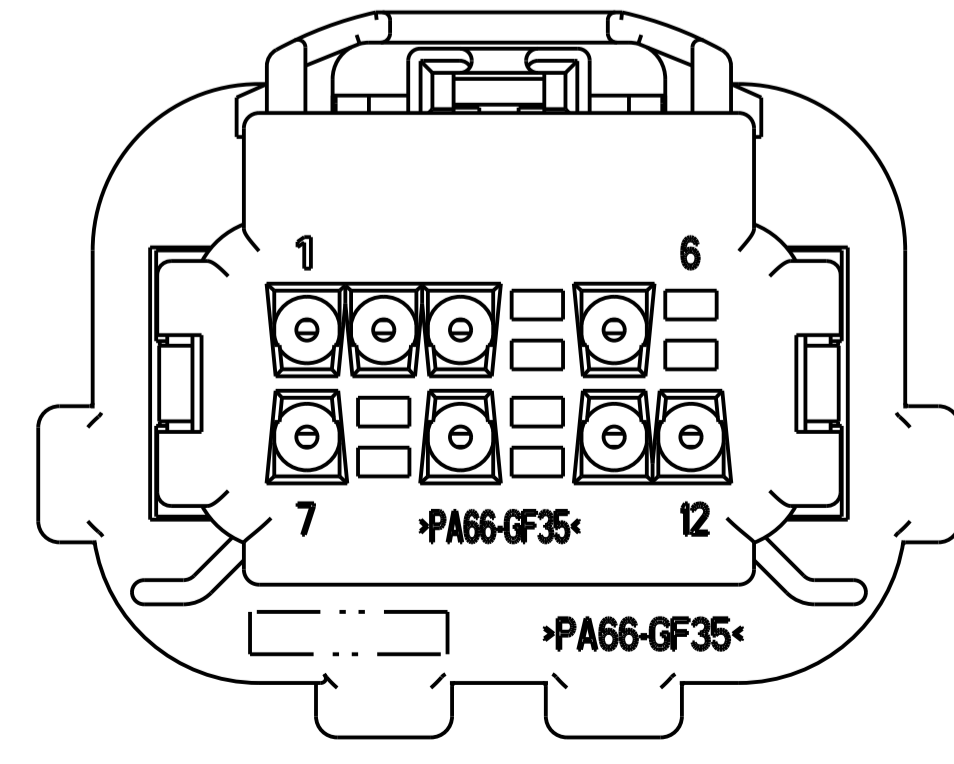
CPA: OPTIONAL - SEE TABLE  
QTY = SEE TABLE



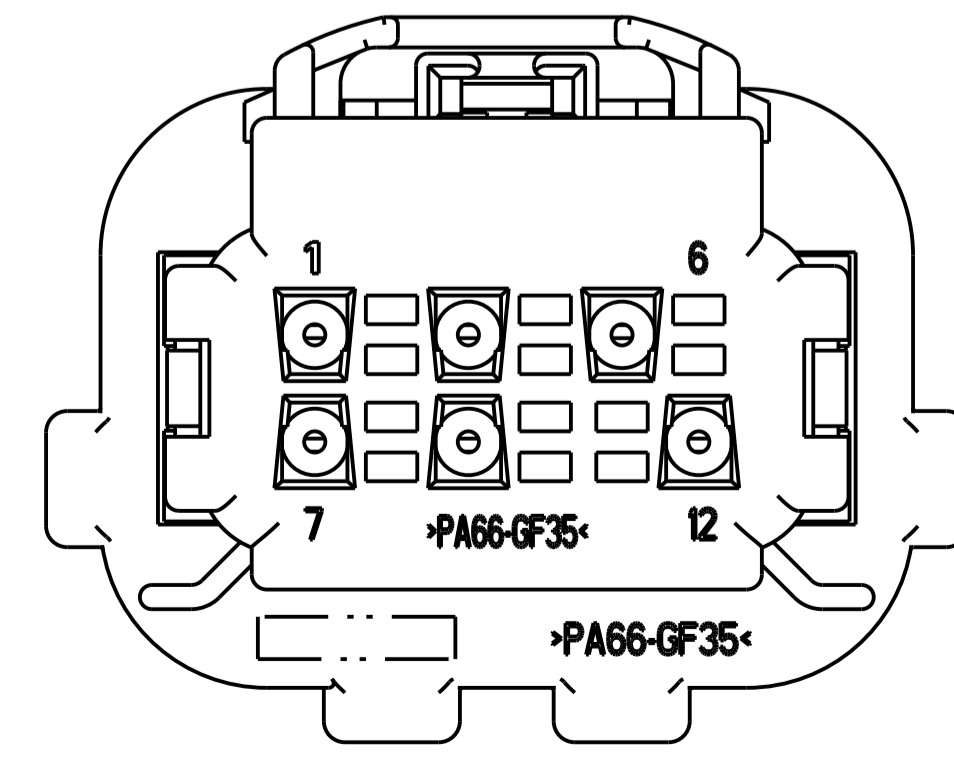
SCALE 2:1



- 638518-5 SHOWN.
- PLUG HOUSING: NYLON 6/6, 35% GLASS FILLED, 25% MAX REGRIND. COLOR: SEE TABLE.  
COVER: NYLON 6/6, 35% GLASS FILLED, BLACK, 25% MAX REGRIND.  
TPA: NYLON 6/6, 35% GLASS FILLED, RED, 25% MAX REGRIND.  
PERIPHERAL SEAL AND WIRE SEAL: SILICONE RUBBER, LIGHT GREEN.  
CPA: PBT 15% GLASS FILLED, RED
- TPA SHOWN IN PRE-LATCHED POSITION.
- MARK FOUR DIGIT JULIAN DATE CODE (DDDD), PLUS AN IDENTIFIER MARK FOR THE BLOCKED CIRCUIT CONFIGURATION ACCORDING TO THE BLOCKED CIRCUIT VERSION PART NUMBER SUFFIX, I.E., DDDD 1 IS PART NUMBER 2-638518-1.
- TERMINALS SOLD SEPARATELY, SEE AMP RECOMMENDED P/N 1326028 (GOLD) OR 638551 (TIN) FOR TERMINATION AND REELING OPTIONS.



2-638518-1



2-638518-2 AND 5-638518-2

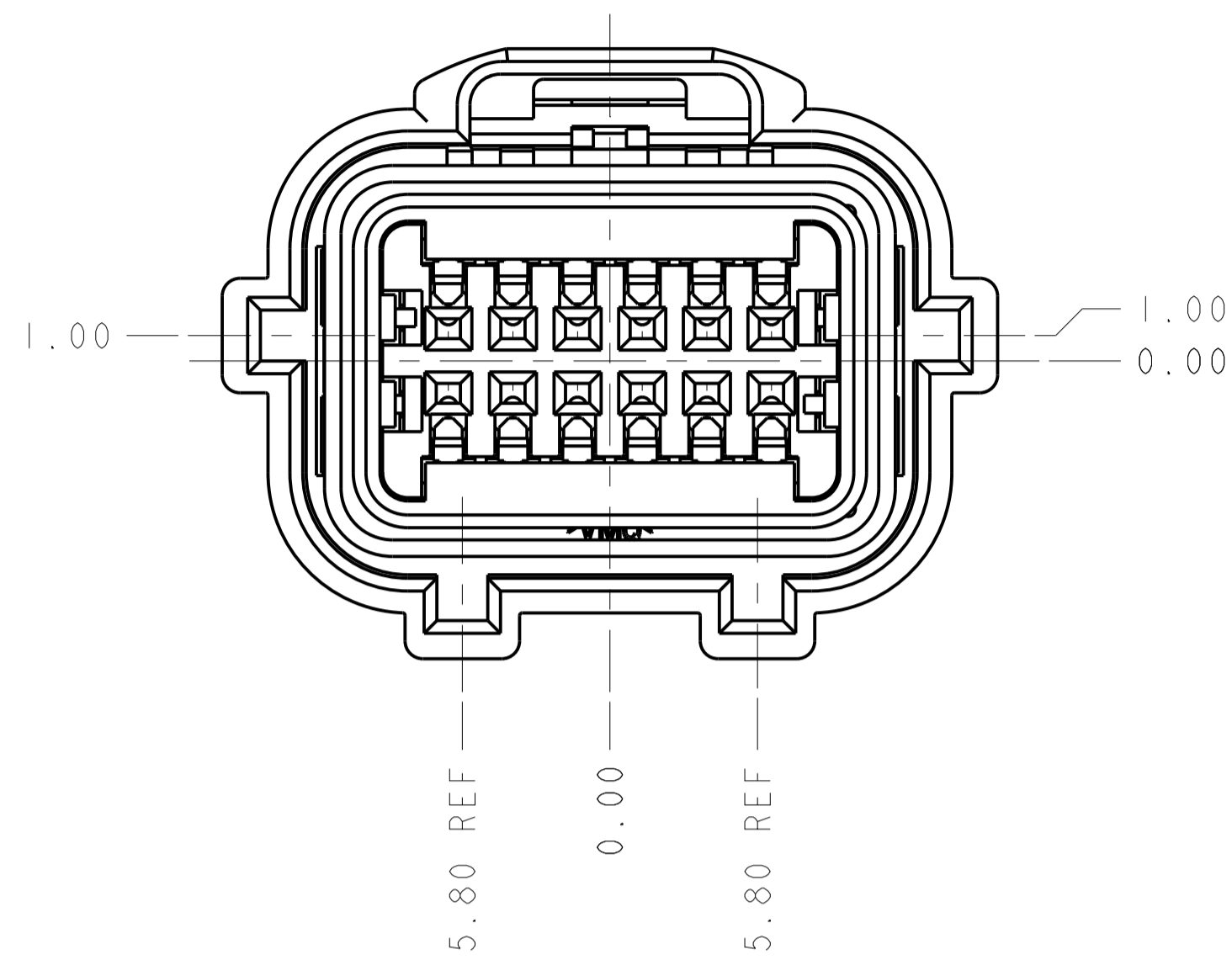
PLUG HOUSING COLOR	CPA QTY	KEYING ARRANGEMENT (SEE SHEET 2)	PART NUMBER
OBSOLETE YELLOW	I	"D"	5-638518-2
BLACK	I	"D"	2-638518-2
BLACK	I	"D"	2-638518-1
BLACK	I	"D"	638518-8
TBD	I	"C"	638518-7
TBD	I	"B"	638518-6
BLACK	I	"A"	638518-5
OBSOLETE TBD	N/A	"D"	638518-4
OBSOLETE TBD	N/A	"C"	638518-3
OBSOLETE TBD	N/A	"D"	638518-2
OBSOLETE BLACK	N/A	"A"	638518-1

THIS DRAWING IS A CONTROLLED DOCUMENT.

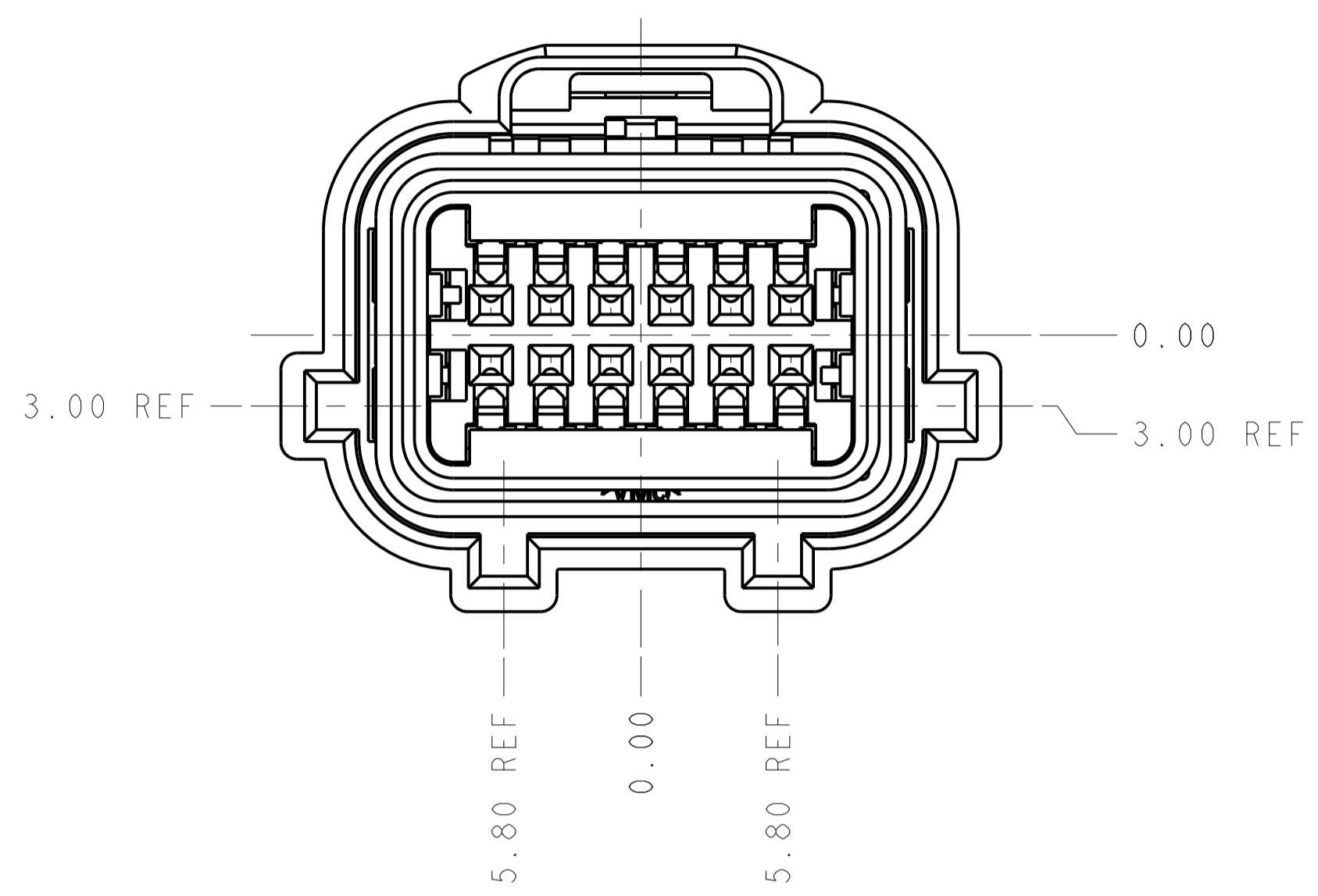
DIMENSIONS:	TOLERANCES UNLESS OTHERWISE SPECIFIED:	OWN: M. SHORE 4MAY01	CHK: M. SHORE 4MAY01	APPROB: G. BALON 4MAY01
mm	0 PLC ±0.2 1 PLC ±0.2 2 PLC ±0.10 3 PLC ±0.10 4 PLC ±0.10 ANGLES ±0.1	PRODUCT SPEC: SAE/JUSCAR-2 8/97	APPLICATION SPEC:	WEIGHT:
MATERIAL:	FINISH:	SIZE: A100779	CAGE CODE: 638518	DRAWING NO: 638518
CUSTOMER DRAWING		SCALE: 4:1		SHEET 1 OF 2

TE Connectivity  
PLUG ASSEMBLY, 12 POSITION 2X6, SEALED, 0.64mm CONNECTOR

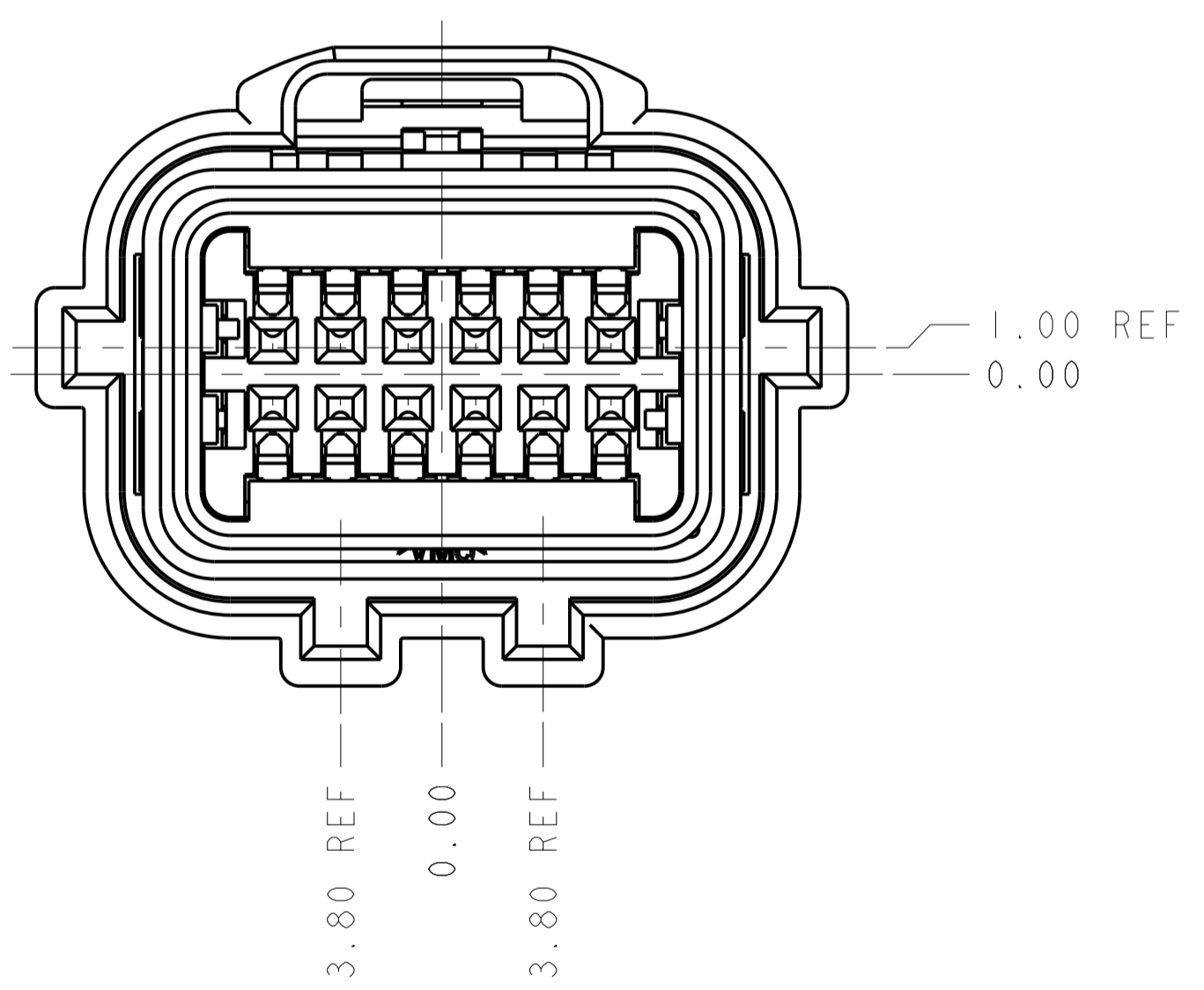
REVISIONS				
P.	LTN	DESCRIPTION	DATE	APVD
-	-	SEE SHEET 1	-	-



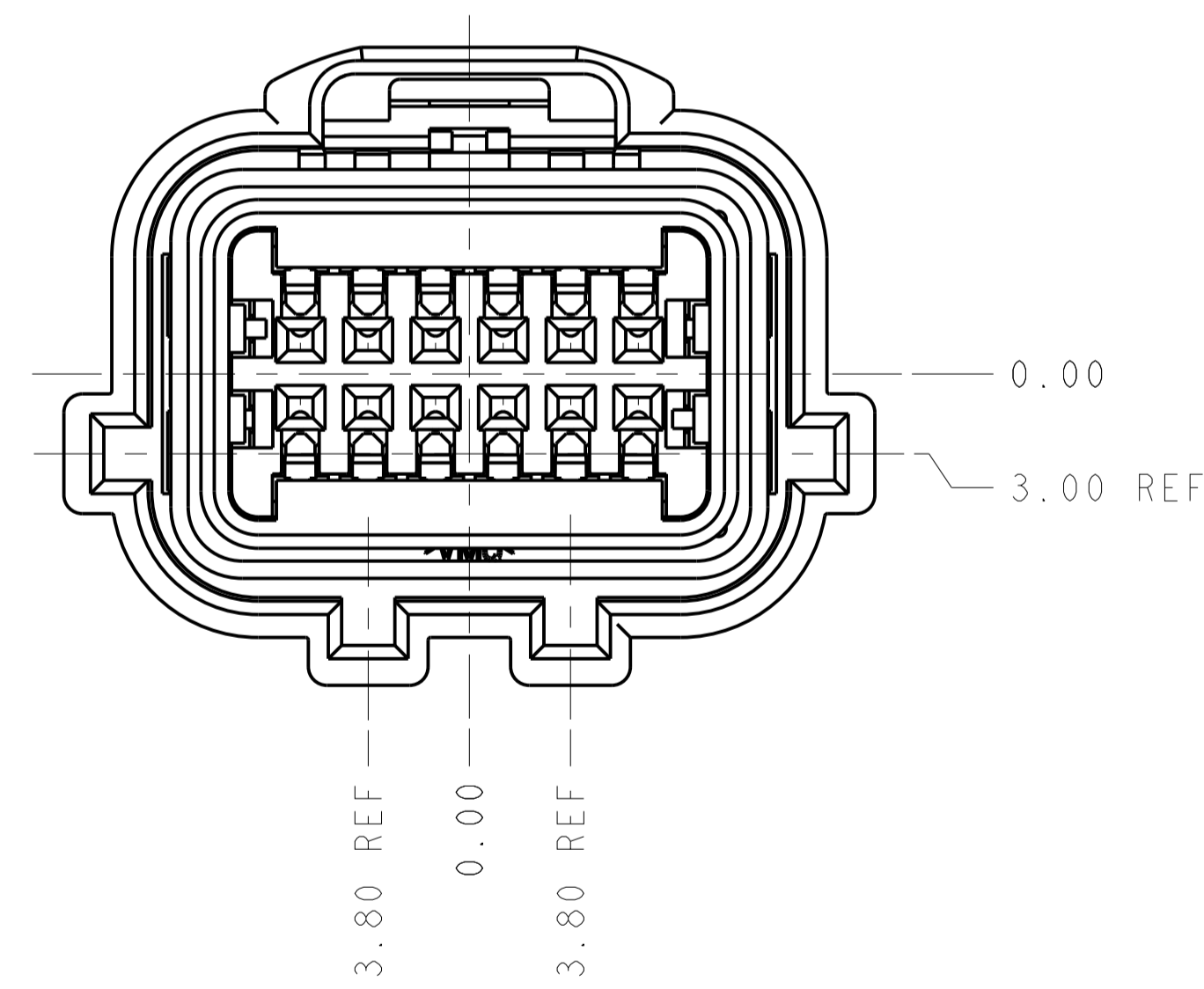
KEY CODE "A"  
(APPLIES TO -1 AND -5 ONLY)  
SCALE 4:1



KEY CODE "B"  
(APPLIES TO -2 AND -6 ONLY)  
SCALE 4:1



KEY CODE "C"  
(APPLIES TO -3 AND -7 ONLY)  
SCALE 4:1



KEY CODE "D"  
(APPLIES TO -4, -8, -21, -22 AND -52)  
SCALE 4:1

THIS DRAWING IS A CONTROLLED DOCUMENT.		DWN	M. SHORE	4MAY01		PLUG ASSEMBLY, 12 POSITION 2X6, SEALED, 0.64mm CONNECTOR
DIMENSIONS:		CHK	M. SHORE	4MAY01		
mm		APVD	G. BALON	4MAY01		
0 PLC ± 1 PLC ±0.2 2 PLC ±0.10 3 PLC ± 4 PLC ± ANGLES ±		PRODUCT SPEC SAE/USCAR-2 8/97 APPLICATION SPEC		SIZE CAGE CODE DRAWING NO A 100779 C=638518		
MATERIAL		FINISH		WEIGHT	RESTRICTED TO	
				CUSTOMER DRAWING	SCALE 4:1	SHEET 2 OF 2