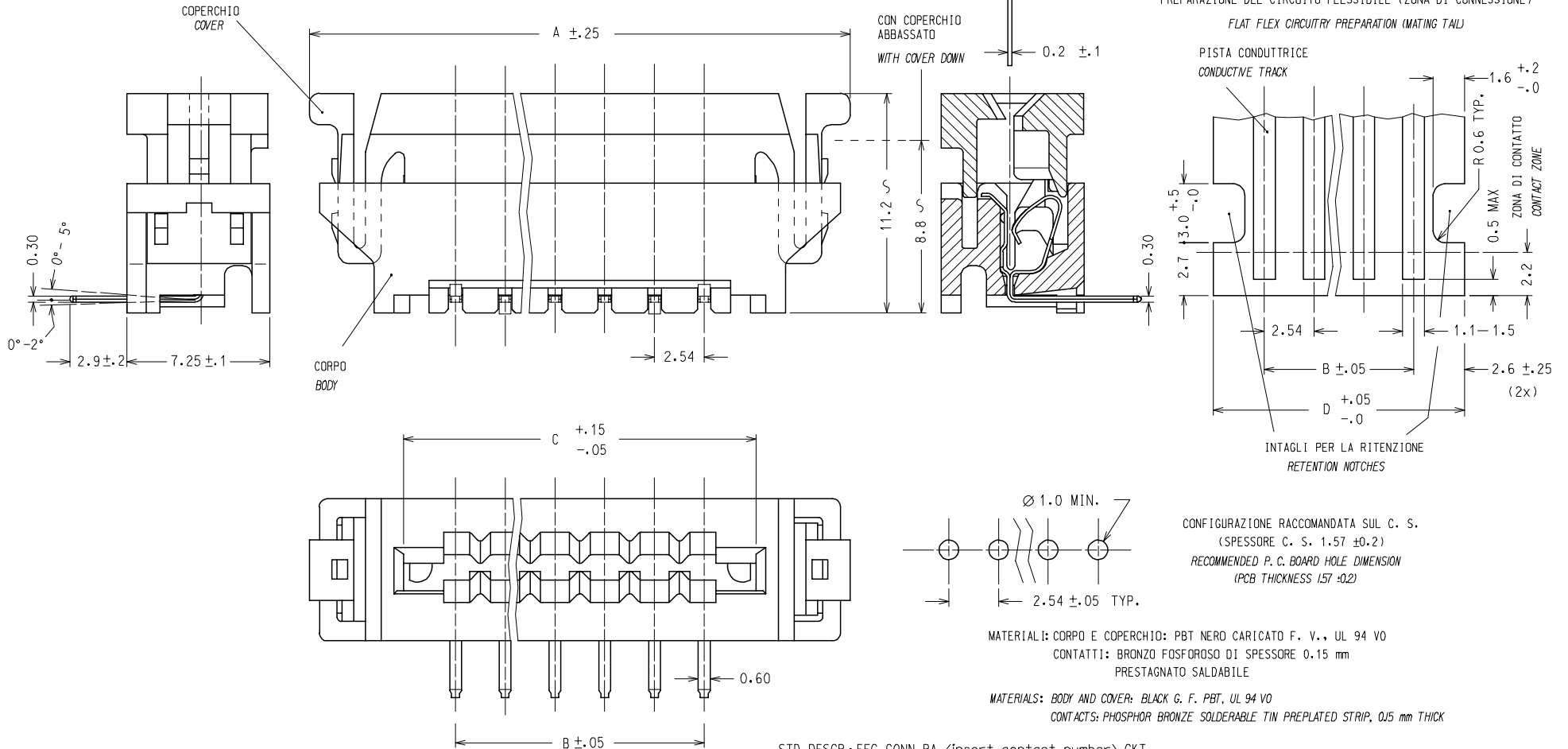


10 9 8 7 6 5 4 3 2 1

COPERCHIO ALZATO: I CONTATTI SONO APERTI PER UN AGEVOLE INSERIMENTO DEL CIRCUITO FLESSIBILE
 COVER UP: CONTACTS ARE OPEN FOR AN EASY INSERTION OF THE FLEX CIRCUITRY
 COPERCHIO ABBASSATO: I CONTATTI SONO PREMUTI CONTRO LE PISTE
 COVER DOWN: CONTACTS ARE CLOSED ON THE TRACKS

CIRCUITO FLESSIBILE (SPESSORE TIPICO)
 FLEX CIRCUITRY (TYPICAL THICKNESS)

PREPARAZIONE DEL CIRCUITO FLESSIBILE (ZONA DI CONNESSIONE)
 FLAT FLEX CIRCUITRY PREPARATION (MATING TAIL)



CONFIGURAZIONE RACCOMANDATA SUL C. S.
 (SPESSORE C. S. 1.57 ± 0.2)
 RECOMMENDED P. C. BOARD HOLE DIMENSION
 (PCB THICKNESS 157 ± 0.2)

MATERIALI: CORPO E COPERCHIO: PBT NERO CARICATO F. V., UL 94 VO
 CONTATTI: BRONZO FOSFOROSO DI SPESSORE 0.15 mm
 PRESTAGNATO SALDABILE

MATERIALS: BODY AND COVER: BLACK G. F. PBT, UL 94 VO
 CONTACTS: PHOSPHOR BRONZE SOLDERABLE TIN PREPLATED STRIP, 0.15 mm THICK

STD. DESCR.: FFC CONN RA <insert contact number> CKT

NOTE: 1) IL PRODOTTO VIENE FORNITO IN TUBI (VEDI FOGLIO 2/2)
 2) CARATTERISTICHE TECNICHE E FUNZIONALI COME DA PS 90500.
 3) LUNGHEZZA MINIMA DI ESPOSIZIONE DELLE PISTE

NOTE: 1) PRODUCT WILL BE SUPPLIED PACKAGED IN A TUBE (SEE SHEET 2/2)
 2) TECHNICAL CHARACTERISTICS AS INDICATED IN PS90500.
 3) MINIMUM EXPOSED LENGTH OF TRACKS

EC NO: Z2005-0177	2005/05/19	QUALITY SYMBOLS
DRWNS:SBARBIER	2005/05/20	▽=0
CHKD:RSANDANO	2005/05/20	▽=0
APPR:FBI SELLO	2005/05/20	
REV	DESCRIPTION	
C1		

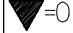
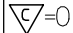
GENERAL TOLERANCES (UNLESS SPECIFIED)		DIMENSION STYLE MM ONLY	
		DRAWN BY	DATE
4 PLACES	± ---	SBARBIERI	1993/09/09
3 PLACES	± ---	CHECKED BY	DATE
2 PLACES	± 0.05	APPROVED BY	DATE
1 PLACE	± 0.10	MPREVIATO	1993/09/09
ANGULAR ± 2 °		MATERIAL NO.	
DRAFT WHERE APPLICABLE MUST REMAIN WITHIN DIMENSIONS		SIZE	SEE SHT 2
		THIS DRAWING CONTAINS INFORMATION THAT IS PROPRIETARY TO MOLEX INCORPORATED AND SHOULD NOT BE USED WITHOUT WRITTEN PERMISSION	

SCALE	DESIGN UNITS	FIRST ANGLE PROJECTION	
5:1	METRIC		
TITLE			
FFC CONNECTOR RIGHT ANGLE VERSION			
MOLEX MOLEX INCORPORATED			
DOCUMENT NO.			SHEET NO.
SD-90500-006			1 OF 2

9 8 7 6 5 4 3 2 1

10 9 8 7 6 5 4 3 2 1

N° . DI CODICE PART. NO.	ATTREZZAGGIO TOOLING	N° . VIE CCT NO.	DIM "A"	DIM "B"	DIM "C"	DIM "D"	N° . CONN./TUBO CONN. NO./TUBE	N° . CONN./SCATOLA CONN. NO./BOX (SPQ)
90500-4002	NON ATTREZZATO NOT TOOLED	2						
90500-4003	"	3						
90500-4004	ATTREZZATO TOOLED	4	22.52	7.62	12.92	12.82	24	3456
90500-4005	"	5	25.06	10.16	15.46	15.36	21	3024
90500-4006	"	6	27.60	12.70	18.00	17.90	19	2736
90500-4007	"	7	30.14	15.24	20.54	20.44	17	2448
90500-4008	"	8	32.68	17.78	23.08	22.98	16	2304
90500-4009	"	9	35.22	20.32	25.62	25.52	15	2160
90500-4010	"	10	37.76	22.86	28.16	28.06	14	2016
90500-4011	"	11	40.30	25.40	30.70	30.60	13	1872
90500-4012	"	12	42.84	27.94	33.24	33.14	12	1728
90500-4013	"	13	45.38	30.48	35.78	35.68	11	1584
90500-4014	"	14	47.92	33.02	38.32	38.22	11	1584
90500-4015	"	15	50.46	35.56	40.86	40.76	10	1440
90500-4016	"	16	53.00	38.10	43.40	43.30	10	1440
90500-4017	"	17	55.54	40.64	45.94	45.84	9	1296
90500-4018	"	18	58.08	43.18	48.48	48.38	9	1296
90500-4019	"	19	60.62	45.72	51.02	50.92	8	1152
90500-4020	"	20	63.16	48.26	53.56	53.46	8	1152

EC NO: Z2005-0177 DRWN:SBARBERI 2005/05/19 CHKD:RSANDANO 2005/05/20 APPR:FBISELLO 2005/05/20 REV C1	QUALITY SYMBOLS  = 0  = 0	GENERAL TOLERANCES (UNLESS SPECIFIED) <table border="1"> <thead> <tr> <th></th> <th>mm</th> <th>INCH</th> </tr> </thead> <tbody> <tr> <td>4 PLACES</td> <td>± ---</td> <td>± ---</td> </tr> <tr> <td>3 PLACES</td> <td>± ---</td> <td>± ---</td> </tr> <tr> <td>2 PLACES</td> <td>± 0.05</td> <td>± ---</td> </tr> <tr> <td>1 PLACE</td> <td>± 0.10</td> <td>± ---</td> </tr> <tr> <td colspan="3">ANGULAR ± 2 °</td> </tr> </tbody> </table>		mm	INCH	4 PLACES	± ---	± ---	3 PLACES	± ---	± ---	2 PLACES	± 0.05	± ---	1 PLACE	± 0.10	± ---	ANGULAR ± 2 °			DIMENSION STYLE MM ONLY DRAWN BY SBARBERI DATE 1993/09/09 CHECKED BY DATE APPROVED BY MPREVIATO DATE 1993/09/09 MATERIAL NO.	SCALE 5:1 DESIGN UNITS METRIC FIRST ANGLE PROJECTION	TITLE FFC CONNECTOR RIGHT ANGLE VERSION MOLEX INCORPORATED DOCUMENT NO. SD-90500-006 SHEET NO. 2 OF 2
		mm	INCH																				
	4 PLACES	± ---	± ---																				
	3 PLACES	± ---	± ---																				
2 PLACES	± 0.05	± ---																					
1 PLACE	± 0.10	± ---																					
ANGULAR ± 2 °																							
DRAFT WHERE APPLICABLE MUST REMAIN WITHIN DIMENSIONS		SEE TABLE	THIS DRAWING CONTAINS INFORMATION THAT IS PROPRIETARY TO MOLEX INCORPORATED AND SHOULD NOT BE USED WITHOUT WRITTEN PERMISSION																				

9 8 7 6 5 4 3 2 1