

4

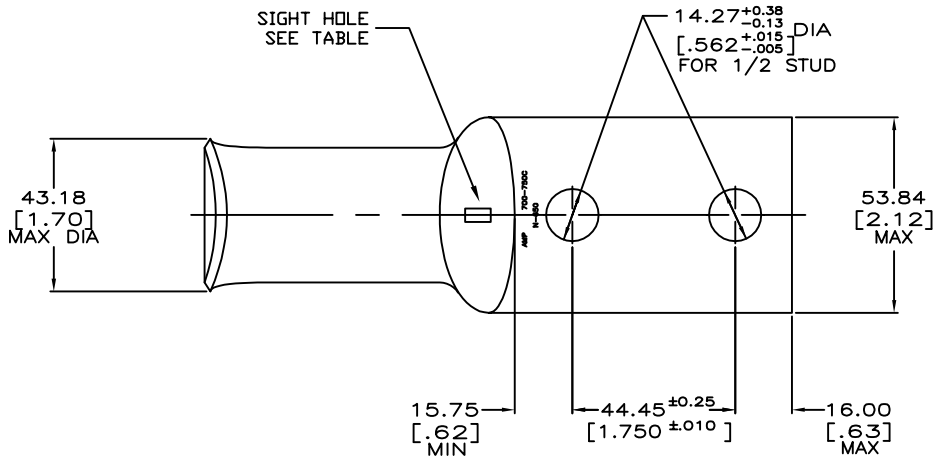
3

2

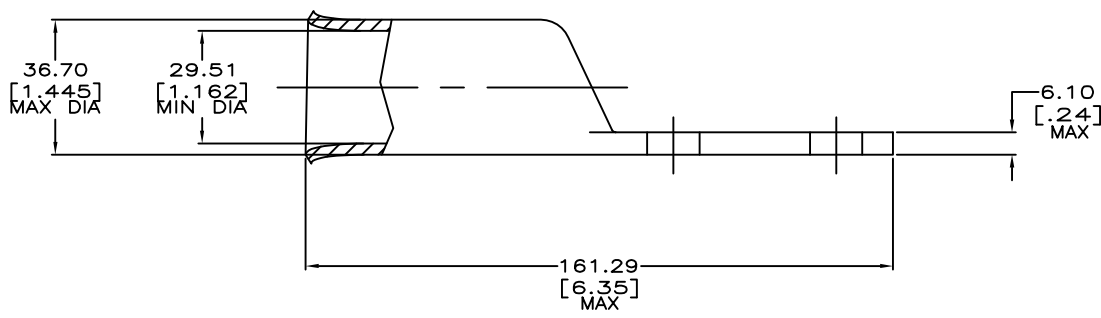
1

THIS DRAWING IS UNPUBLISHED. RELEASED FOR PUBLICATION
 © COPYRIGHT - PK ALL RIGHTS RESERVED.

| LOC | DIST | REVISIONS | | | |
|-----|------|-------------|---------------|-----------|-------|
| P | LTR | DESCRIPTION | DATE | DM | APD |
| G | 86 | E | ECR-12-021694 | 18DEC2012 | PK HS |



- 1 CIRCULAR MIL RANGE: 650-750 MCM
- 2 TIN PL 0.00381[.000150] MIN THK PER ASTM B-545
- 3 CIRCULAR MIL RANGE: 650-750 MCM
- E 4 PART WITHOUT TIN PLATING.



| | | | |
|---|------------|---|----------|
| E | REQUIRED | 4 | 53686-4 |
| | REQUIRED | 3 | 53686-3 |
| | --- | | 53686-2 |
| | SIGHT HOLE | | PART NO. |

| DIMENSIONS: | | TOLERANCES UNLESS OTHERWISE SPECIFIED: | | DWG | | TE Connectivity | |
|------------------|-------------------------------|--|------------|-----------|----------|-----------------|---------|
| MM [INCHES] | | | | CHK | DATE | NAME | |
| | 0 PLC | ± | - | DK SCHRUM | 02/28/90 | MS FEHER | |
| | 1 PLC | ± | - | | 24JAN95 | TL SHUTTER | |
| | 2 PLC | ± | 0.51[.020] | | | | |
| | 3 PLC | ± | - | | | | |
| | 4 PLC | ± | - | | | | |
| | ANGLES | ± | - | | | | |
| MATERIAL: | ANNEALED COPPER PER ASTM B-75 | FINISH: | 2 | WEIGHT | .871 LB | SIZE | A2 |
| CUSTOMER DRAWING | | | | CAGE CODE | 00779 | DRAWING NO | C=53686 |
| | | | | SCALE | 1:1 | SHEET | 1 of 1 |
| | | | | REV | E | | |

53686