

REV-LEV.101

CONFIDENTIAL. THE INFORMATION CONTAINED IN THIS DOCUMENT IS THE PROPERTY OF COOPER INDUSTRIES, INC. IT IS NOT FOR PUBLIC DISCLOSURE. POSSESSION OF THE INFORMATION DOES NOT CONVEY ANY RIGHT TO LOAN, SELL OR DISCLOSE THE INFORMATION. UNAUTHORIZED REPRODUCTION OR USE OF THE INFORMATION IS PROHIBITED. THIS DOCUMENT IS TO BE RETURNED TO COOPER INDUSTRIES, INC. UPON COMPLETION OF THE PURPOSE FOR WHICH IT IS LOANED OR UPON REQUEST.

COPYRIGHT Cooper Industries, Inc.
This is an unpublished work. The disclosure of this work is limited to select personnel. Further dissemination or disclosure to the public is PROHIBITED. This unpublished work is protected by Federal Copyright law and all rights thereunder are reserved by Cooper Industries, Inc.

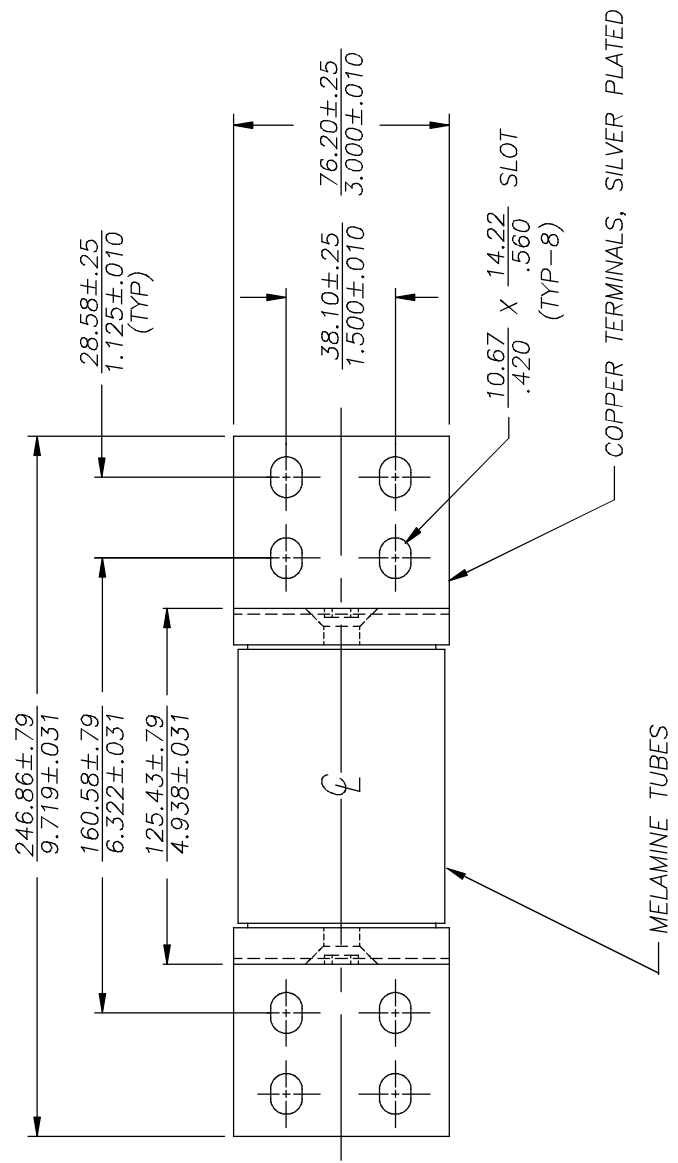
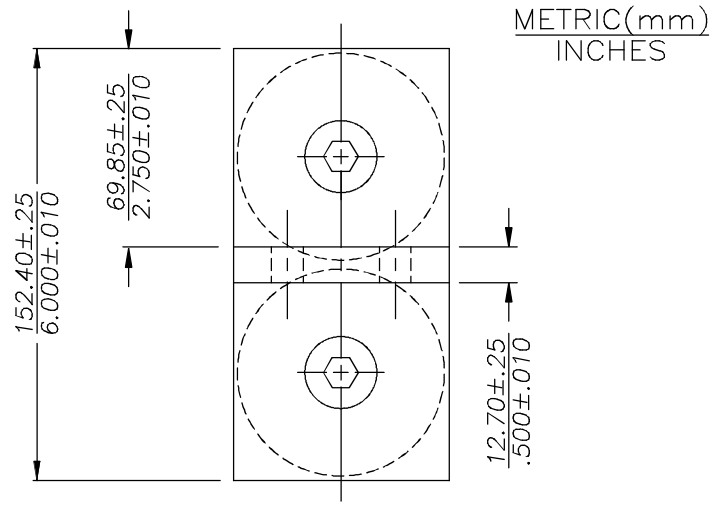
SCALE
 $\frac{3}{8} \times$

UNLESS OTHERWISE SPECIFIED TOLERANCES TO BE:
METRIC $\pm .13\text{mm}$
INCHES $\pm .005''$
ANGULAR $\pm 2^\circ$

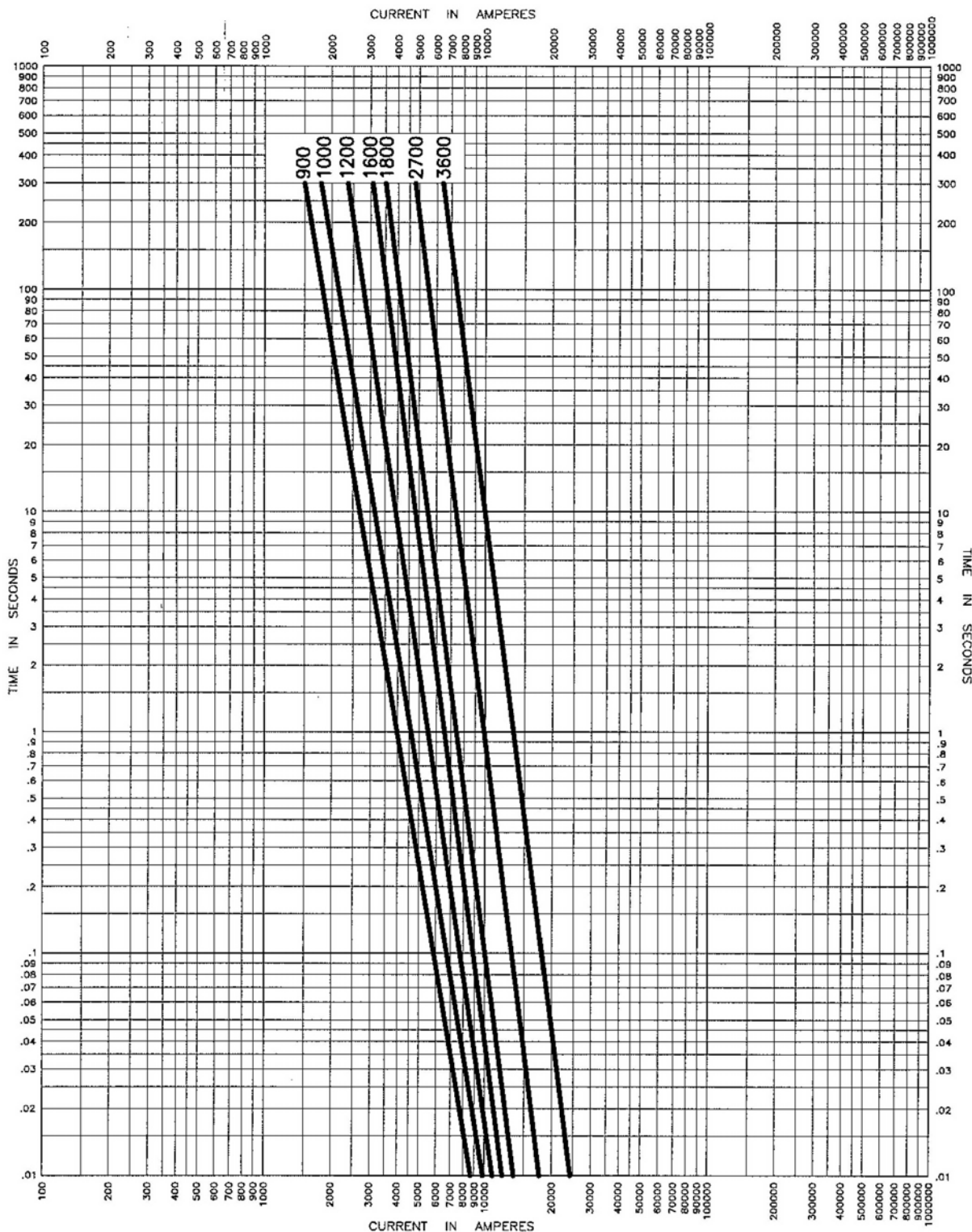
▲ (O) INDICATES CRITICAL DIMENSION OR FEATURE

PAGE 1 OF 2

DATE	2-9-05	NO.	RFL-1800
TITLE			
SEMI-CONDUCTOR FUSE			
SUP. NO.	RFL-1800	DATED	12-16-93
DWG.	JG	CK.	JS
ENG.		CHANGE	A
			SB04428
COOPER Bussmann			
St. Louis, MO 63178			
DISTRIBUTION	62803	56	J



CUSTOMER PRINT



AVERAGE TIME-CURRENT CHARACTERISTIC CURVE

For RFL 900 TO 3600 AMP - 750 VOLT

COOPER Bussmann
St. Louis, MO 63178

BASIS FOR DATA Standards _____ Dated _____ 38743

1. Tests made at _____

2. Curves are plotted to _____ Test points so variations should be _____

No. 50993 Rev. ---

Date 7-10-00

ECN No. SB00113