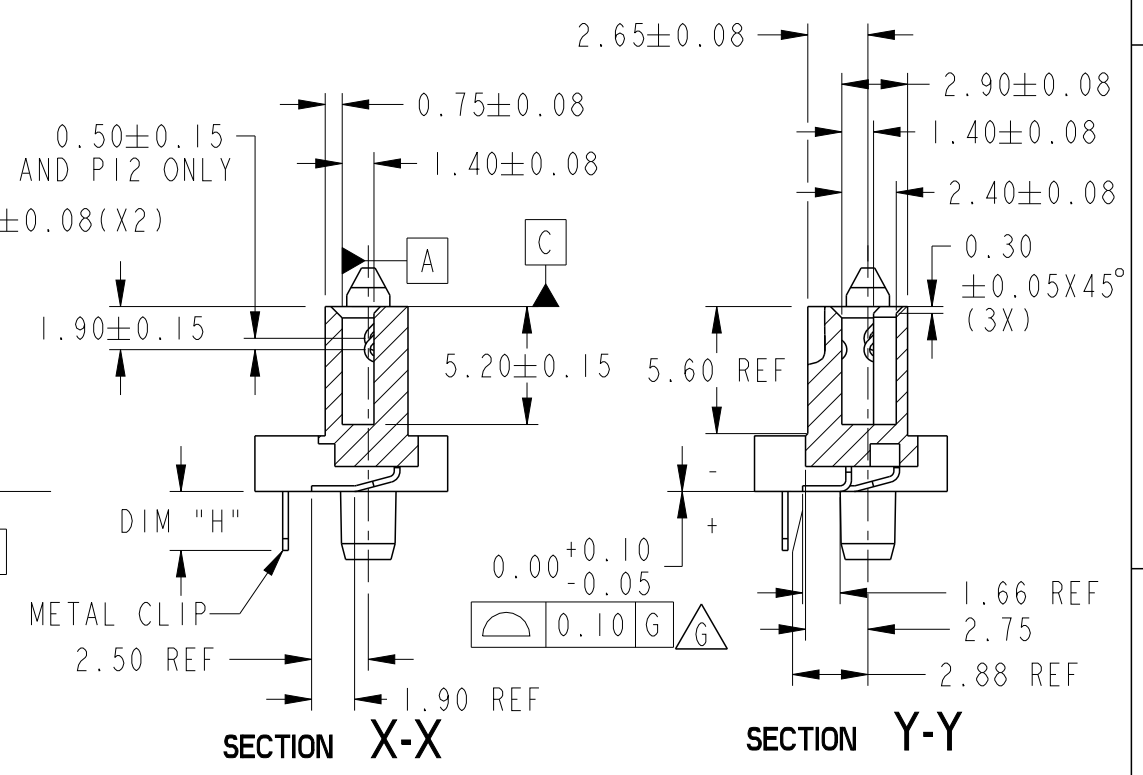
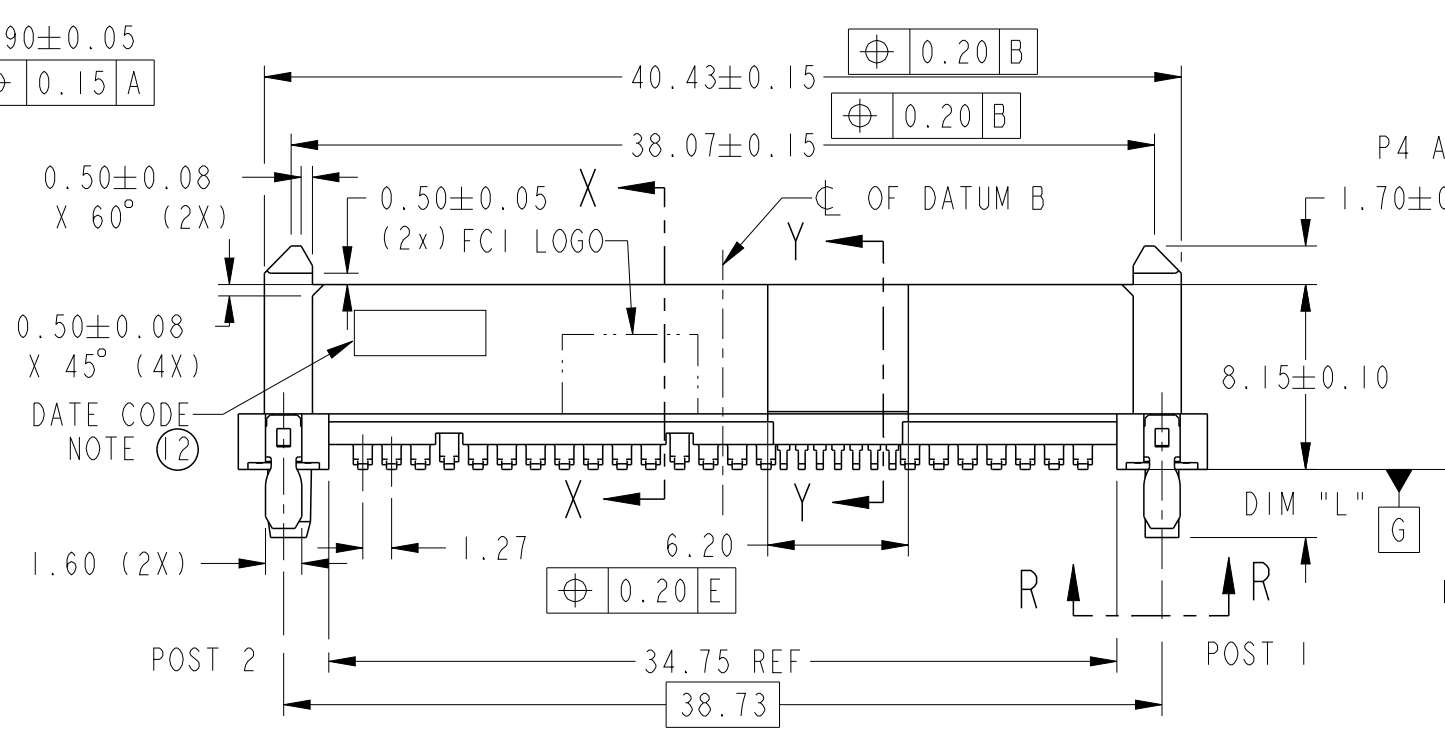
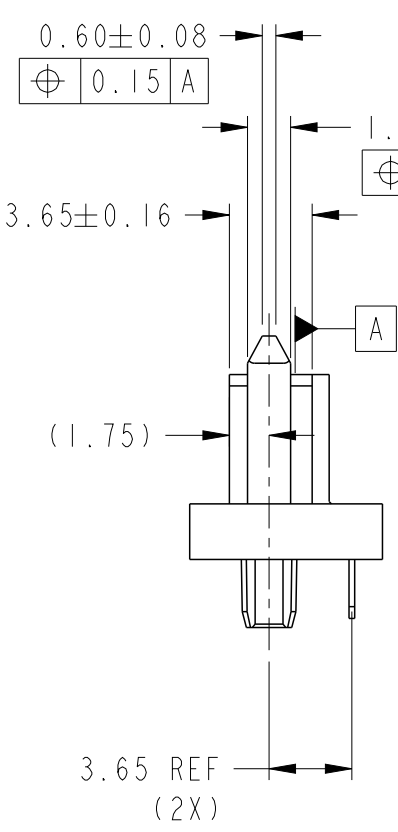
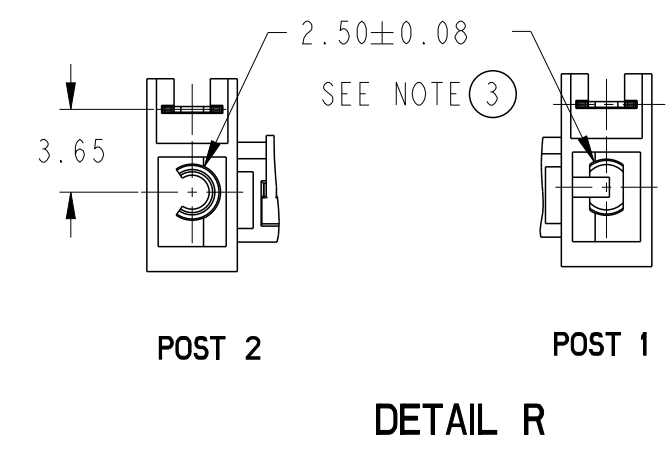
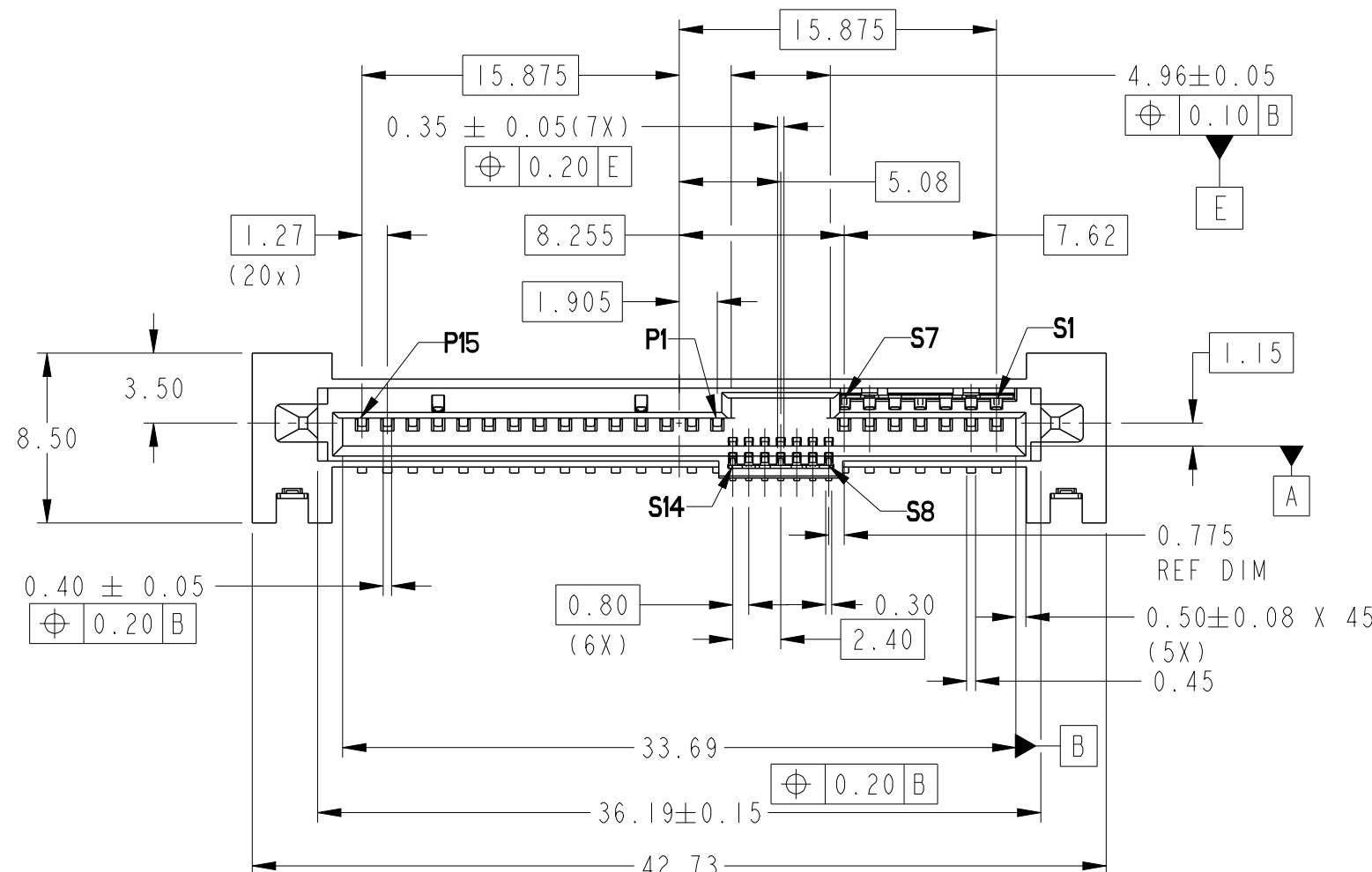


PRODUCT NUMBER  
SEE TABLE



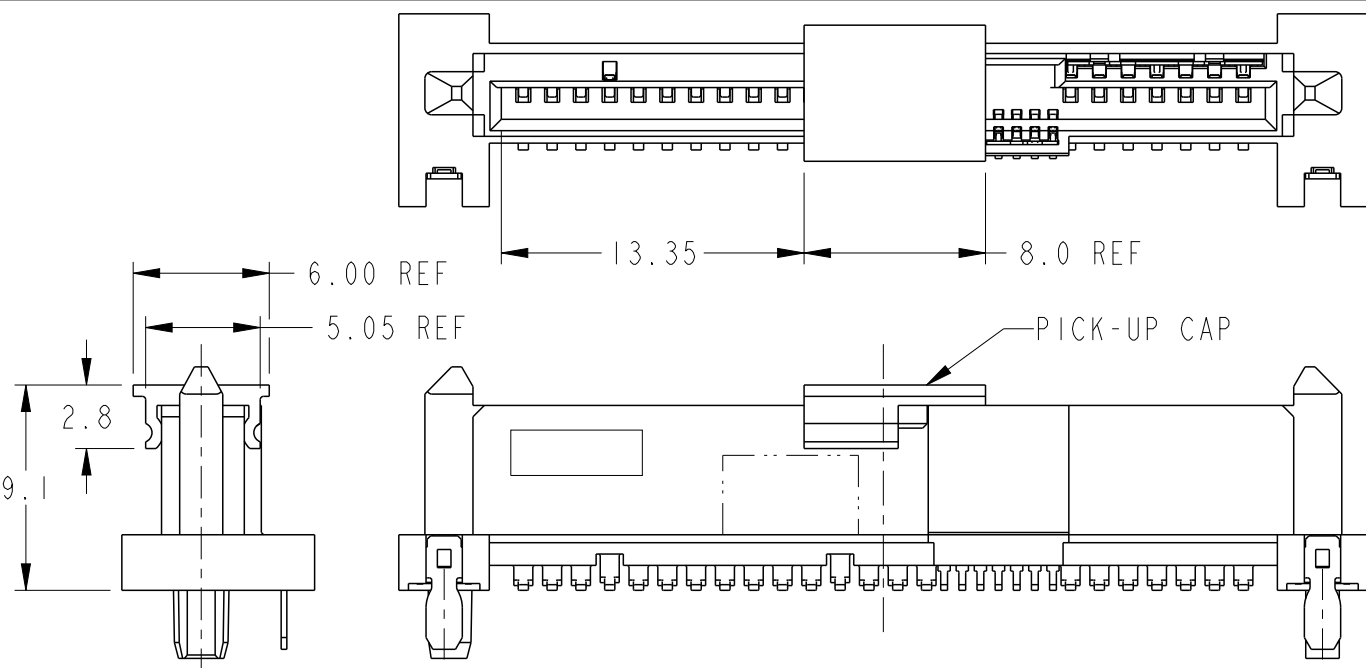
Amphenol FCI  
© 2016 AFCI

|                                       |                     |      |               |                     |                         |    |                    |               |                        |          |
|---------------------------------------|---------------------|------|---------------|---------------------|-------------------------|----|--------------------|---------------|------------------------|----------|
| spec ref                              | -                   | dr   | Guat-Lian Loo | 2013/07/04          | projection              | MM | size               | A3            | scale                  | 3:1      |
| tolerance std                         | ISO 406<br>ISO 1101 | eng  | Wai-Bin Cho   | 2020/09/14          |                         |    | ecn no             | ELX-M-38340-1 | rel level              | Released |
| TOLERANCES UNLESS OTHERWISE SPECIFIED |                     | chr  | -             | -                   |                         |    | product family     | SAS           | rel level              | Released |
| surface                               | linear              | 0.X  | ± -           | <b>Amphenol FCI</b> | 12G SAS RECEPTACLE      |    | dwg no<br>10123000 | rev<br>G      | Product - Customer Drw |          |
|                                       |                     | 0.XX | ± .20         |                     | WIDE BASE SMT TYPE ASSY |    |                    |               | sheet 1 of 3           |          |
|                                       | angular             | 0°   | ± 2°          |                     | cat. no.                | -  |                    |               | Printed: Oct 29, 2020  |          |

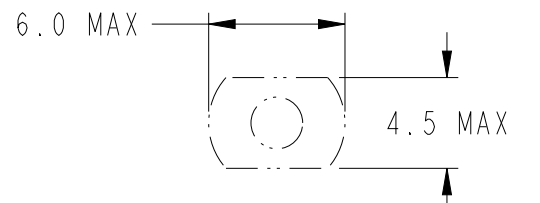
| PRODUCT NO         | DIM L | DIM H | RECOMMENDED P.C. BOARD THICKNESS | PICK-UP CAP | PACKAGING   | REMARK |
|--------------------|-------|-------|----------------------------------|-------------|-------------|--------|
| 10123000-001LF     | 3.7   | 2.6   | 4.57mm (0.180")                  | NO          | TRAY        | --     |
| 10123000-001CLF    |       |       |                                  | YES         |             |        |
| 10123000-001C-TRLF |       |       |                                  | YES         | TAPE & REEL |        |
| 10123000-002LF     | 2.0   | 2.6   | 2.54mm (0.100")                  | NO          | TRAY        | --     |
| 10123000-002CLF    |       |       |                                  | YES         |             |        |
| 10123000-002C-TRLF |       |       |                                  | YES         | TAPE & REEL |        |
| 10123000-003LF     | 3.7   | 1.7   | 2.00mm (0.079")                  | NO          | TRAY        | --     |
| 10123000-003CLF    |       |       |                                  | YES         |             |        |
| 10123000-003C-TRLF |       |       |                                  | YES         | TAPE & REEL |        |
| 10123000-004LF     | 3.7   | 3.2   | 4.57mm (0.180")                  | NO          | TRAY        | --     |
| 10123000-004CLF    |       |       |                                  | YES         |             |        |
| 10123000-004C-TRLF |       |       |                                  | YES         | TAPE & REEL |        |

Amphenol FCI

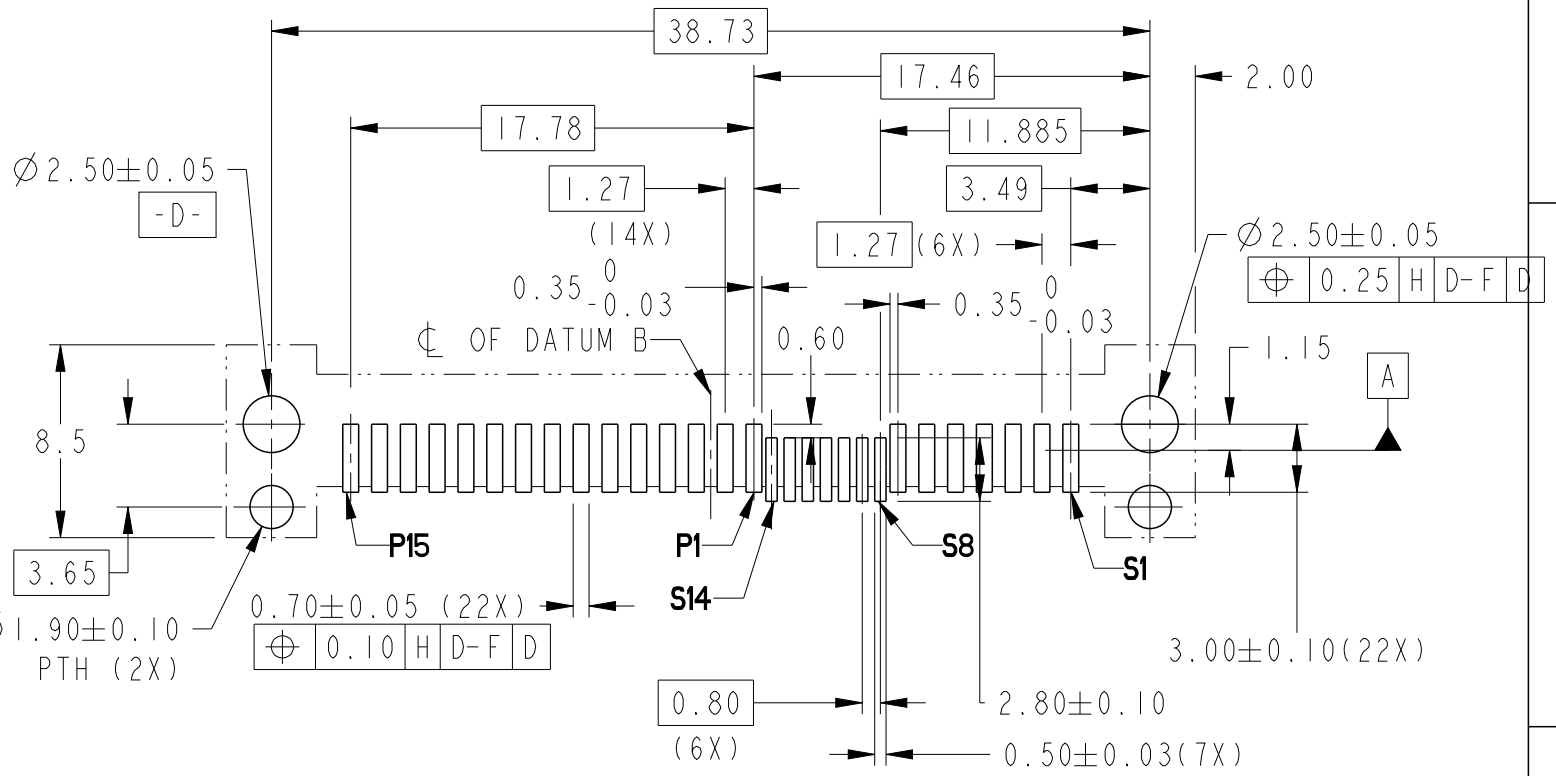
© 2016 AFCI



PART WITH PICK-UP CAP, SEE NOTE ⑤



RECOMMENDED SUCTION HEAD SIZE




FRONT VIEW  
RECOMMENDED PCB LAYOUT  
SCALE 3:1

|                                       |                     |                               |          |               |                |   |     |        |               |          |     |   |
|---------------------------------------|---------------------|-------------------------------|----------|---------------|----------------|---|-----|--------|---------------|----------|-----|---|
| spec ref                              | -                   |                               | dr       | Guat-Lian Loo | 2013/07/04     | projection                                    | MM  | size   | A3            | scale    | 3:1 |   |
| tolerance std                         | ISO 406<br>ISO 1101 |                               | eng      | Wai-Bin Cho   | 2020/09/14     |   | ← → | ecn no | ELX-M-38340-1 |          |     |   |
| TOLERANCES UNLESS OTHERWISE SPECIFIED |                     | chr                           | -        | -             | product family |   |     | SAS    | rel level     | Released |     |   |
| surface                               | linear              | 0.X ±<br>0.XX ±.20<br>0.XXX ± | appr     | Koon-Poh Tay  | 2020/10/29     | 12G SAS RECEPTACLE<br>WIDE BASE SMT TYPE ASSY |     | dwg no | 10123000      |          | rev | G |
| ISO 1302                              | angular             | 0° ±2°                        | cat. no. |               | -              | Product - Customer Drw                        |     |        | sheet 2 of 3  |          |     |   |

PRODUCT NUMBER

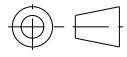
SEE TABLE

NOTES:

- 1. MATERIAL:
  - 1) HOUSING: HIGH TEMP TERMOPLASTIC, UL 94V-0
  - COLOR : BLACK
  - 2) TERMINAL: COPPER ALLOY
  - 3) HOLD DOWN: COPPER ALLOY
- 2. FINISH:
  - 1) TERMINAL: 30μ" Au PLATING (CONTACT POINT)
  - OVER 50μ" NICKEL
  - 2) SOLDER TAIL: 50μ" MIN Sn OVER 50μ" MIN NICKEL
  - 3) HOLD DOWN: 50μ" MIN Sn OVER 50μ" MIN NICKEL
- ③ THE DIM. IS MEASURED AT P.C. BOARD SITTING PLANE
- ④ PER SEF REV 2.3 EXCEPT 0.8mm PITCH BUMP AREA
- 5. PART WITH PICK-UP CAP, P/N XXXXXXXX-XXXCLF
- 6. THE STD PACKAGING IS IN TRAY
- 7. THE TAPE & REEL PACKAGING, SUFFIX "-TR" ADDED AFTER PRODUCT NUMBER (E.G. XXXXXXXX-XXXC-TRLF)
- 8. THE HOUSING WILL WITHSTAND EXPOSURE TO 260°C PEAK TEMPERATURE FOR 10 SECONDS IN A CONVECTION, INFRA-RED OR VAPOR PHASE REFLOW OVEN.
- ⑨ THIS PRODUCT MEETS EUROPEAN UNION DIRECTIVES AND OTHER COUNTRY REGULATIONS AS DESCRIBED IN GS-47-0004.
- ⑩ PART NUMBERS ENDING IN "LF" MEANS FOR NOTE 8 LEAD FREE IDENTIFICATION
- 11. A  SYMBOL WILL BE NEXT TO ANY DIMENSION, VIEW, OR NOTE WHICH HAS BEEN MODIFIED WITH THE CURRENT DRAWING REVISION.
- ⑫ DATE CODE LOCATION. DATE CODE NO.YYWW (E.G.14225).
- 13. CORING AT NON FUNCTIONAL AREAS ARE SUBJECT TO CHANGE WITHOUT NOTICES.

Amphenol  
FCi

© 2016 AFci

|                     |         |      |               |            |   |                    |           |        |               |                        |
|---------------------|---------|------|---------------|------------|---|--------------------|-----------|--------|---------------|------------------------|
| spec ref -          |         | dr   | Guat-Lian Loo | 2013/07/04 | projection  | MM                 | size      | A3     | scale         | 3:1                    |
| tolerance std       |         | eng  | Wai-Bin Cho   | 2020/09/14 |  | ← →                | ecn no    |        | ELX-M-38340-1 |                        |
| ISO 406<br>ISO 1101 |         | chr  | -             | -          |   |                    | rel level |        | Released      |                        |
| surface             |         | appr | Koon-Poh Tay  | 2020/10/29 | product family  |                    | SAS       |        | rev           |                        |
| ISO 1302            | linear  | 0.X  |               | ± -        | Amphenol<br>FCi   | 12G SAS RECEPTACLE |           | dwg no |               | 10123000               |
|                     |         | 0.XX |               | ±.20       |   | 12G SAS RECEPTACLE |           | rev    |               | G                      |
|                     | angular | 0°   |               | ±2°        |   | cat. no.           |           | -      |               | Product - Customer Drw |
|                     |         |      |               |            |   |                    |           |        |               | sheet 3 of 3           |