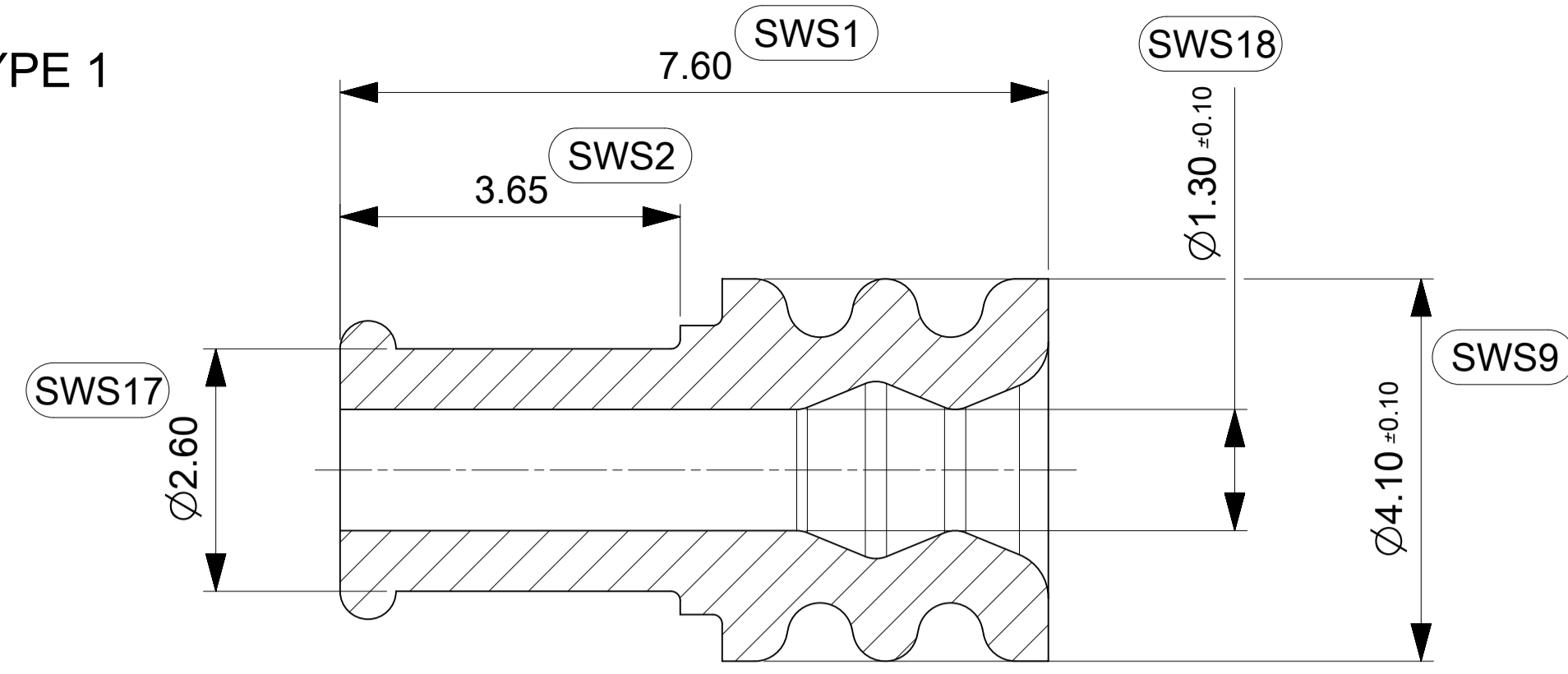
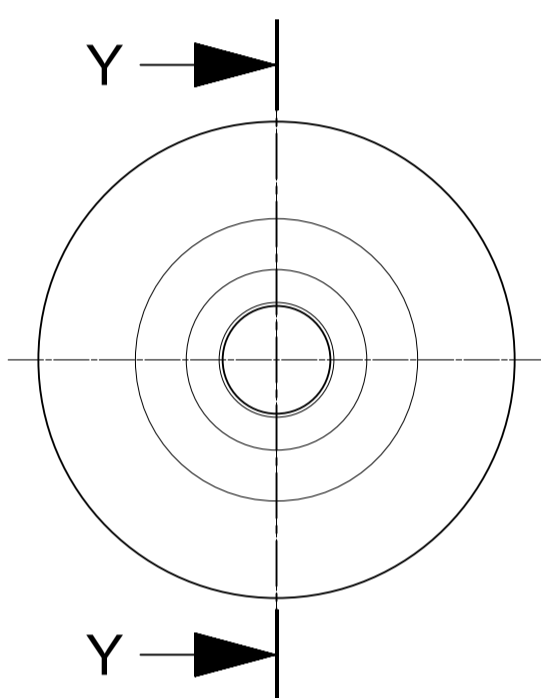


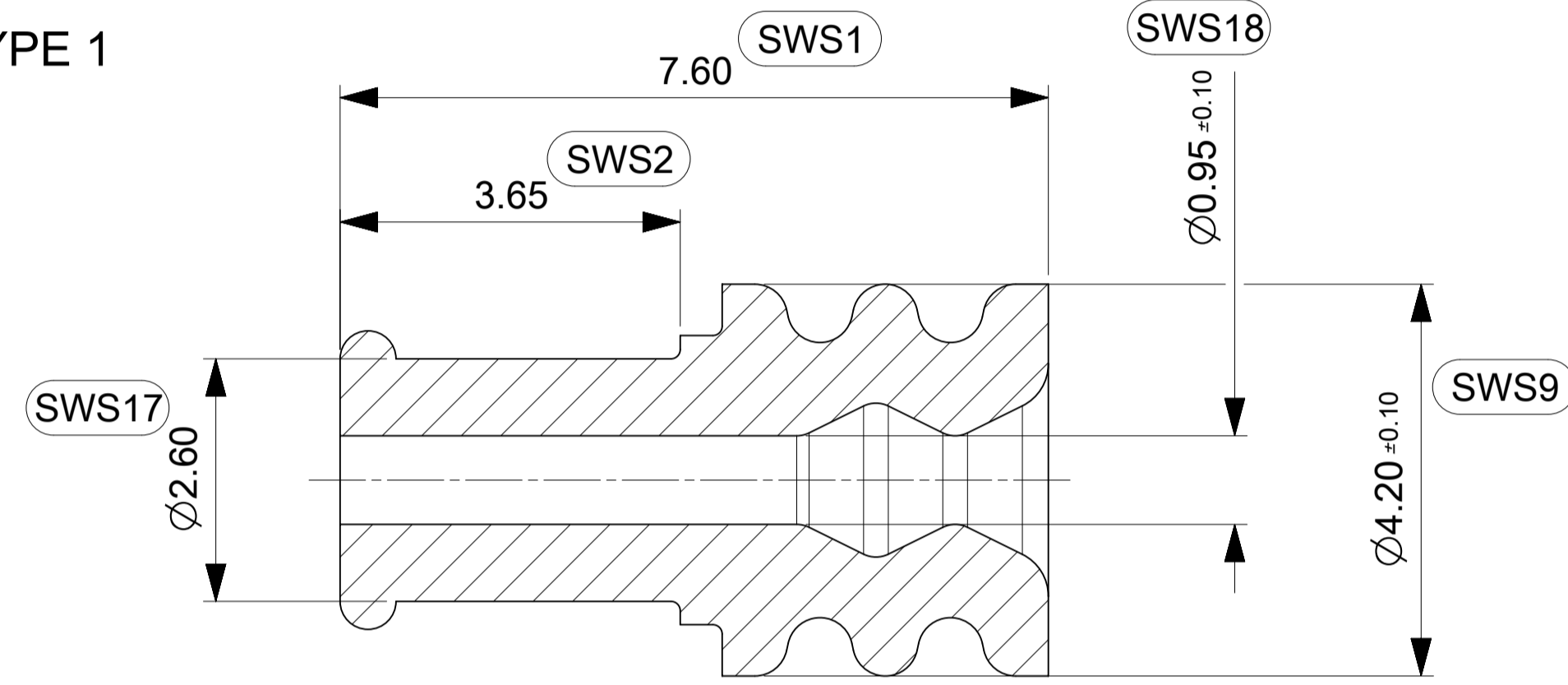
TYPE 1



SECTION Z-Z  
P/N : 0643251085

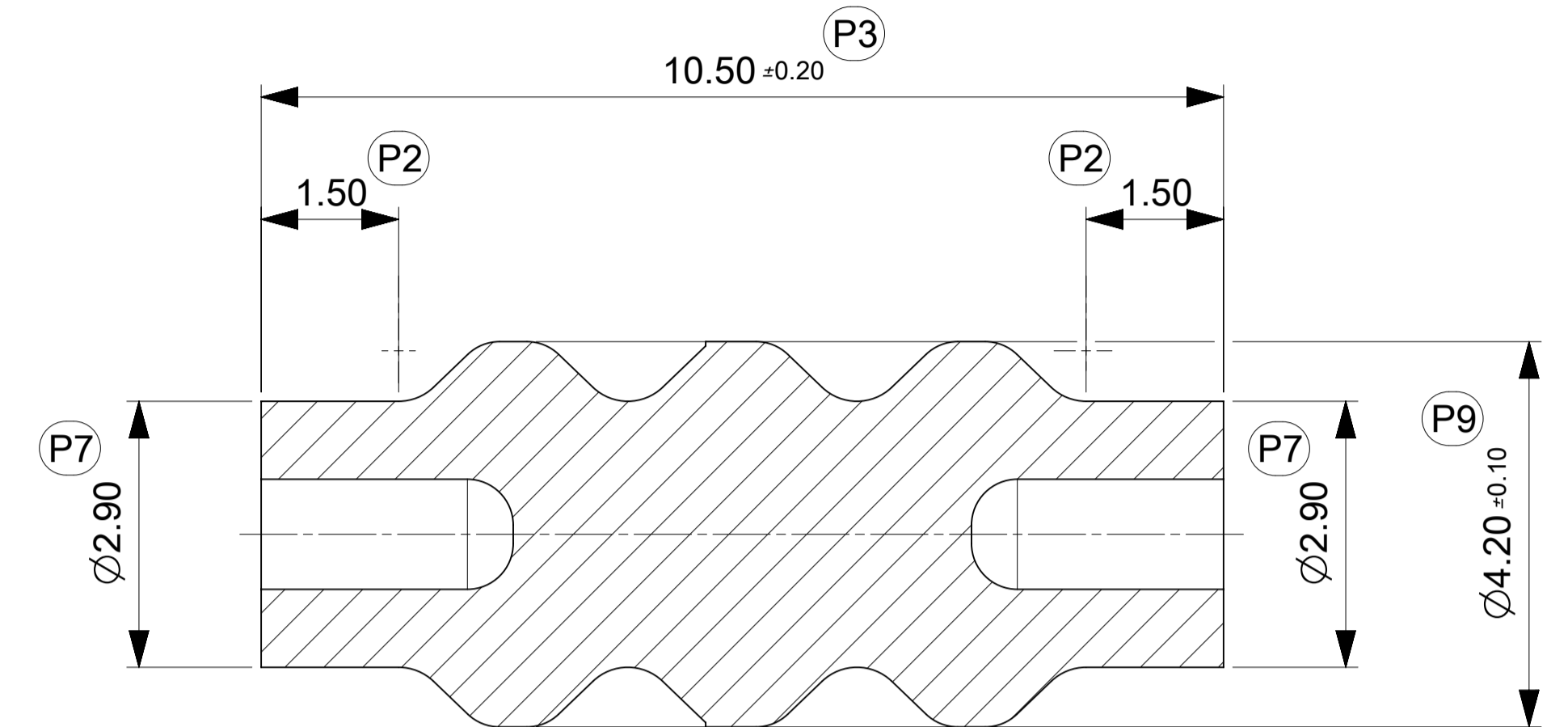


TYPE 1

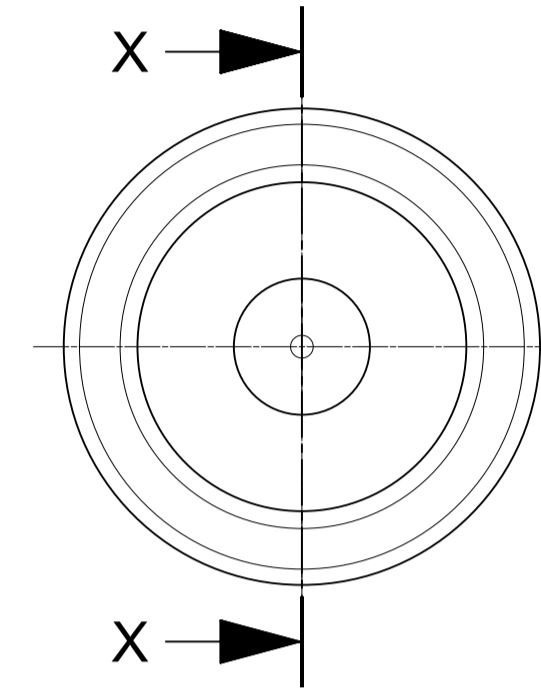


SECTION Y-Y  
P/N : 0643251086

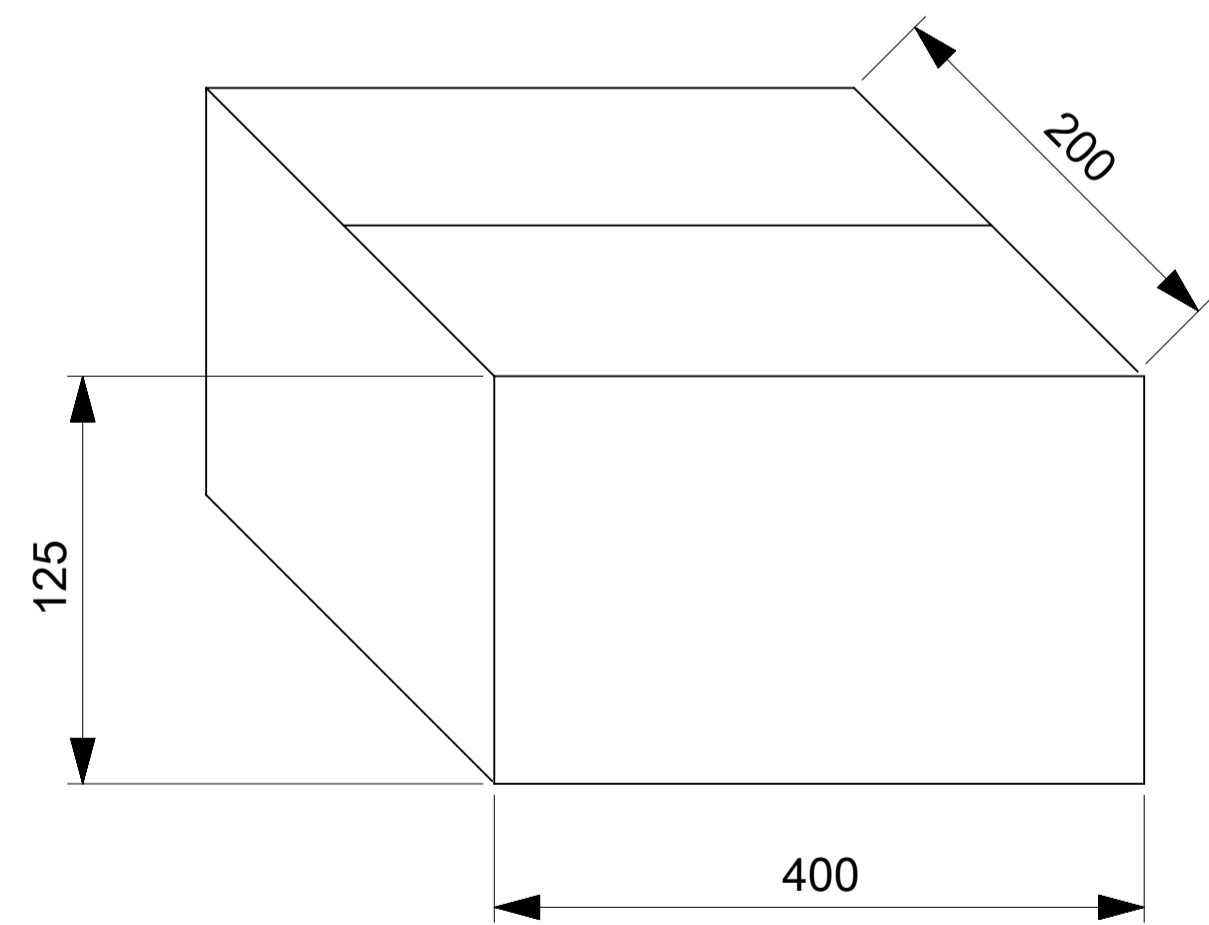
TYPE 2



SECTION X-X  
P/N : 0643251088



CONDITIONNEMENT LIVRAISON EN VRAC / BULK PACKAGING



0643251085: 30 000 SEALS (1 BAG) PER CARDBOARD.  
0643251086: 30 000 SEALS (1 BAG) PER CARDBOARD.  
0643251088: 25 000 SEALS (1 BAG) PER CARDBOARD.

PACKAGING SIZE : 400 mm x 200 mm x 125 mm

NOTA:  
FLASH 0.1 MAX. NO CUT, NO SHORT SHOTS,  
NO TEAR, NO DISTORTION ON SEAL LIPS ALLOWED.

PRE-RELEASE  
REFERENCE  
USE ONLY

MOLEX P/N	COLOR	TYPE	ALLOWED WIRE DIAMETER	WEIGHT (g)	MATERIAL SPECIFICATION
0643251085	LIGHT GREY	1	1.75/2.40	0.0706	40 DUROMETER INHERENTLY LUBRICATED SILICON
0643251086	LIGHT BLUE	1	1.25/1.90	0.0630	40 DUROMETER INHERENTLY LUBRICATED SILICON
0643251088	YELLOW	2	-	0.1218	50 DUROMETER INHERENTLY LUBRICATED SILICON

THIS DRAWING CONTAINS INFORMATION THAT IS PROPRIETARY TO MOLEX ELECTRONIC TECHNOLOGIES, LLC AND SHOULD NOT BE USED WITHOUT WRITTEN PERMISSION

DIMENSION UNITS	SCALE	CURRENT REV DESC: REMASTERED IN ECTR	<b>molex</b>		
mm	15:1				
GENERAL TOLERANCES (UNLESS SPECIFIED)			SEAL PLUG AND SGL WIRE SEALS 1.5 TERM		
	MM	INCH	PRODUCT CUSTOMER DRAWING		
4 PLACES	±	±	DOCUMENT NUMBER		
3 PLACES	±	±	DOC TYPE   DOC PART   REVISION		
2 PLACES	± 0.16	±	SD-64325-007   PSD   001   A1		
1 PLACE	± 0.16	±	MATERIAL NUMBER   CUSTOMER		
0 PLACES	± 0.16	±	SEE CHART   GENERAL MARKET		
ANGULAR TOL	± 2.0°		SHEET NUMBER		
DRAFT WHERE APPLICABLE MUST REMAIN WITHIN DIMENSIONS		FIRST ANGLE PROJECTION	DRAWING	SERIES	SHEET NUMBER
			A1-SIZE	64325	1 OF 1

EC NO: 633640  
DRWN: MKP  
CHK'D: OPLESSIS  
APPR: CBOUCHAN  
INITIAL REVISION:  
DRWN: PGRANDCL  
APPR: OPLESSIS  
2020/03/03  
2020/03/17  
2020/03/18  
2015/06/23  
2016/01/25

DOCUMENT STATUS	RELEASE DATE
-----------------	--------------