



User Guide

EVB-ATEK352N4-01

Document Code : 023-01009101
Revision No : 03
Revision Date : 16/04/2022

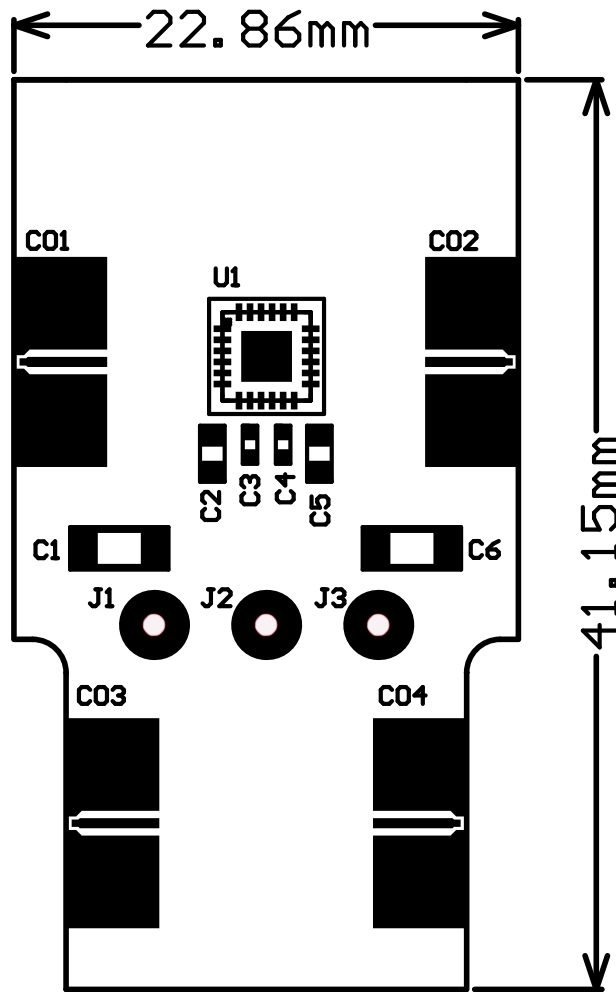
Revisions

Revision No	Revision Date	Revision Reason	Section / Page No
1.0	03.08.2021	Initial Version	
1.1	08.01.2022	Format and Content Fixed	
1.2	16.04.2022	Format and Content Fixed	

INDEX

1	GENERAL INFORMATION	3
2	DESIGN INFORMATION.....	4
2.1	SCHEMATIC.....	4
2.2	BOM	4
3	TYPICAL PERFORMANCE PLOTS.....	5

1 GENERAL INFORMATION



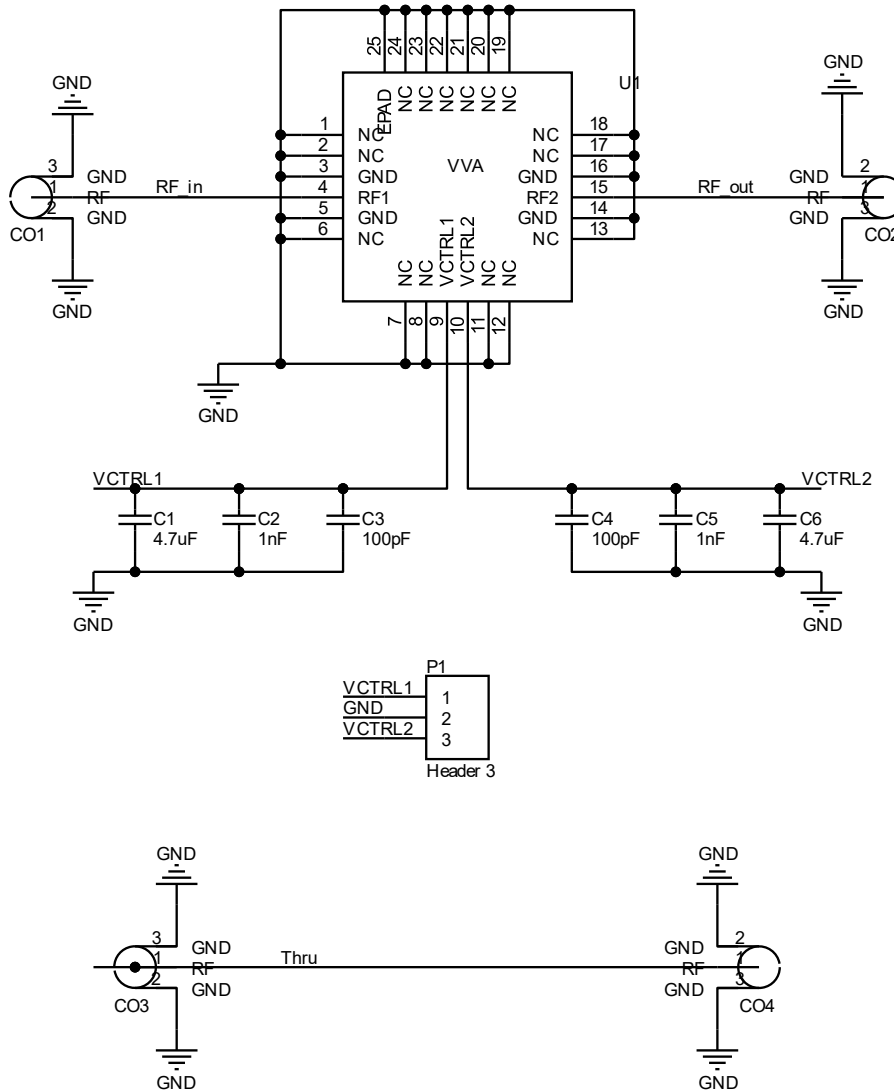
PIN Name	Definition	Comment
CO1	RF IN	K Connector
CO2	RF OUT	K Connector
CO3, CO4	Thru Line	K Connector
J1	VCTRL1	2.54mm Header
J2	GND	2.54mm Header
J3	VCTRL2	2.54mm Header

Notes:

1. VDD Voltage is detailed in Datasheet.
2. Control Voltage is detailed in Datasheet.
3. The definition of up, down, right, and left is valid for this view of PCB.

2 DESIGN INFORMATION

2.1 SCHEMATIC



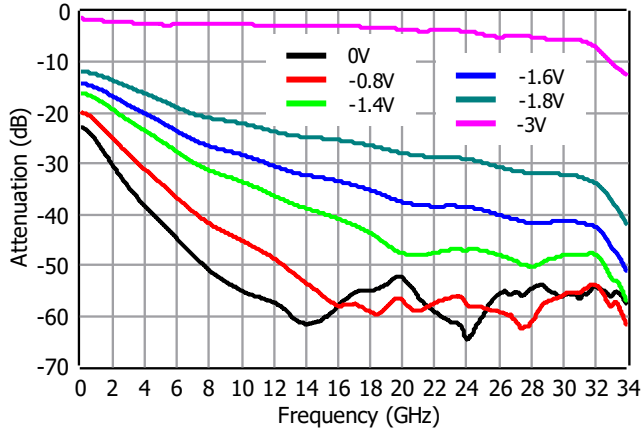
2.2 BOM

Designator	Footprint	Qty	Comment	PN
C1, C6	0402	2	DNP	
C2, C5	0402	2	DNP	
C3,C4	0402	2	DNP	
CO1, CO2, CO3, CO4	K Connector	4	K Connector	
J1, J2, J3	1x1 Header	3	1x1 Header	
U1	ATEKQ4424	1	VVA	ATEK352N4

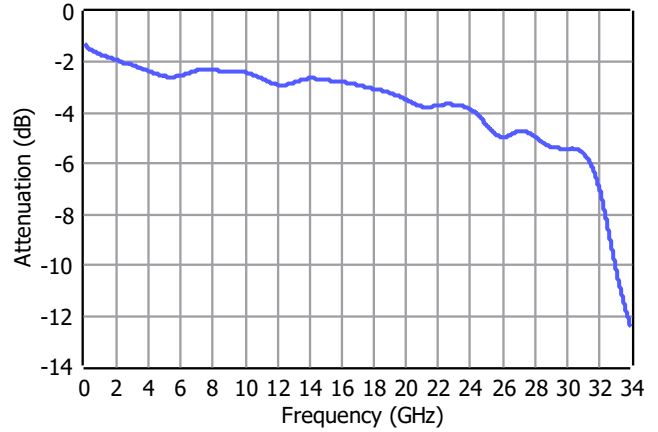
3 TYPICAL PERFORMANCE PLOTS

Conditions unless otherwise specified: $V_{CTRL1} = V_{CTRL2}$, $T = 25\text{ C}$, CW. For details, please refer to the datasheet.

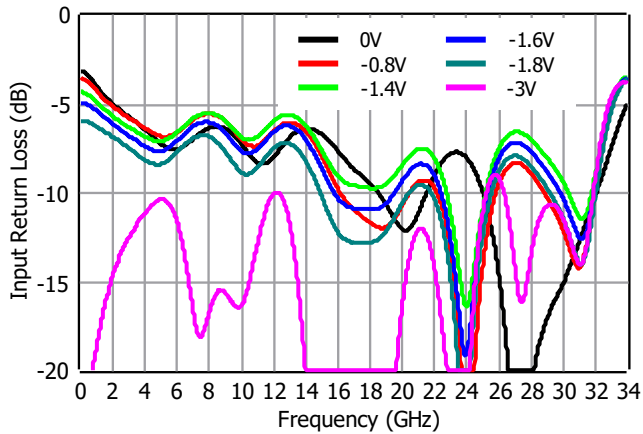
Attenuation vs. Vctrl1



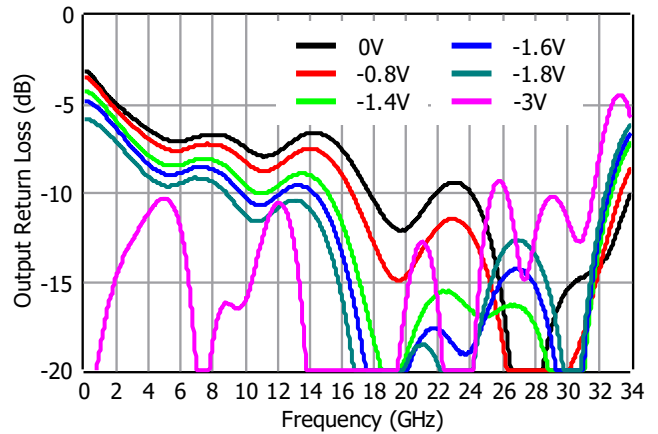
Insertion Loss vs. Vctrl1



Input Return Loss vs. Vctrl1



Output Return Loss vs. Vctrl1



Attenuation Range vs. Frequency

