

PART NO.	ENGINEERING NO.	FINISHED LENGTH
1300060888	104000K03M010	1M (3 FT 3.4 IN)
1300060891	104000K03M100	10M (32 FT 9.70 IN)
1300062561	104000K03M200	20M (65 FT 7.40 IN)

**(B) CABLE LENGTH TOLERANCES**

<.3M [1FT]: +19mm-0 [ +.75in-0]

.3 - .9M [1 - 3FT]: +44.5mm-0 [+1.75in-0]

.9 - 1.8M [3 - 6FT]: +55.6mm-0 [+2.19in-0]

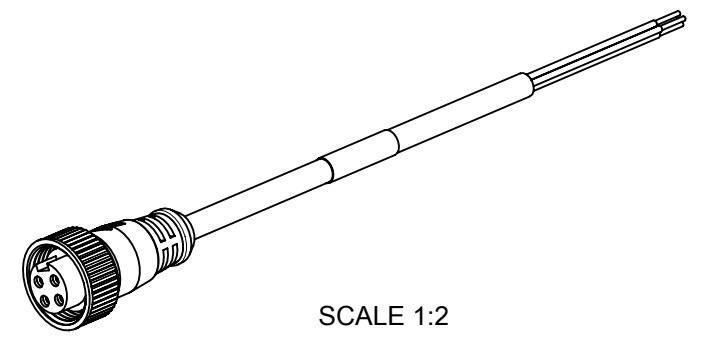
1.8 - 3.7M [6 - 12FT]: +88.9mm-0 [+3.50in-0]

3.7 - 7.3M [12 - 24FT]: +165.1mm-0 [+6.50in-0]

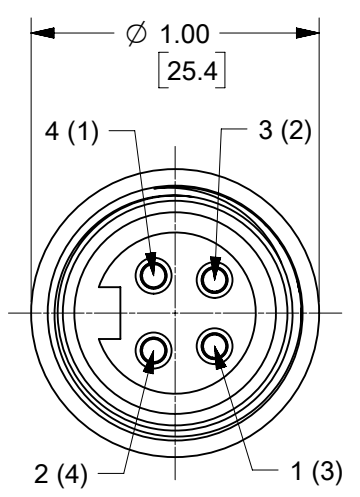
7.3-14.6M [24 - 48FT]: +317.5mm-0 [+12.50in-0]

14.6 - 30.5M [48-100FT]: +622.3mm-0 [+24.50in-0]

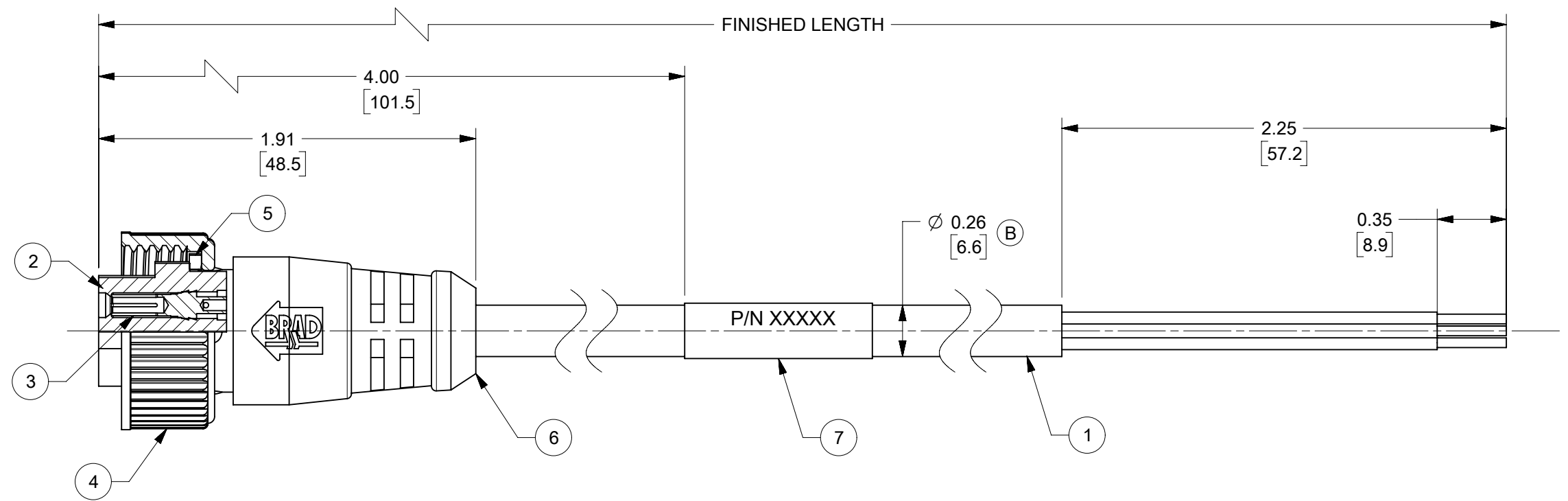
OVER 30M [100FT] +2% OF FINISHED LENGTH



**FEMALE FACE VIEW**



CENELEC EN 50 044 PINOUT SHOWN  
(SAE-J-1738A SHOWN IN PARENTHESIS)



**PART NUMBER LEGEND**

**104000K03M030**

FINISHED LENGTH:  
M003 = .3 METER  
M030 = 3 METER  
M300 = 30 METER

**WIRING DIAGRAM**

4 (1)	BLACK
3 (2)	BLUE
1 (3)	BROWN
2 (4)	WHITE

**MECHANICAL CHARACTERISTICS: (B)**

TORSIONAL FLEX TEST	10 MILLION CYCLES PER MIL-C-13777G
BEND FLEX TEST	10 MILLION CYCLES PER MIL-C-13777G
WELD SLAG RESISTANCE	WOODHEAD STANDARD S-300

- NOTES:
- MATERIAL: AS NOTED
  - FINISHES: AS NOTED
  - ELECTRICAL:  
VOLTAGE: 300V  
CURRENT: 5.6A
  - ENVIRONMENTAL  
PROTECTION: IP67 (WHEN FULLY MATED)  
TEMPERATURE RATING: -20°C TO +105°C (B)
  - COUPLING THREAD: 7/8-16 UN
  - CSA CERTIFIED FILE: LR6837 (B)
  - ALL DIMS ARE FOR REFERENCE UNLESS TOLERANCED OR NOTED OTHERWISE

7	WRAP LABEL	VINYL	YELLOW/BLACK
6	OVER MOLD	TPE	YELLOW
5	FRICTION RING	NYLON	WHITE
4	COUPLING NUT	ZINC DIE CAST	BLACK E-COAT
3	SOCKET CONTACT	Cu ALLOY	GOLD OVER NICKEL
2	FEMALE INSERT	TPE	YELLOW
1	CABLE, #18-4 AWG, ITC/PLTC	TPE JACKET	YELLOW
ITEM	DESCRIPTION	MATERIAL	FINISH

FUNCTIONAL SYMBOLS		THIS DRAWING CONTAINS INFORMATION THAT IS PROPRIETARY TO MOLEX ELECTRONIC TECHNOLOGIES, LLC AND SHOULD NOT BE USED WITHOUT WRITTEN PERMISSION	
∇ = 0	DIMENSION UNITS	SCALE	CURRENT REV DESC: UPDATED TEMP RATING, TOL. TABLE & MATERIAL TABLE. ADDED CSA, ITEM 5 MECH.CHARACTERISTICS & CABLE DIA.
∇ = 0	INCH/MM	1.5:1	EC NO: 701162
∇ = 0	GENERAL TOLERANCES (UNLESS SPECIFIED)		DRWN: AKABADI 2021/09/03
	ANGULAR TOL ± °		CHKD: RSTONE 2022/03/30
	4 PLACES ±		APPR: BWOODMAN 2022/04/08
	3 PLACES ±		INITIAL REVISION:
	2 PLACES ±		DRWN: ALEON01 2019/08/01
	1 PLACE ±		APPR: BWOODMAN 2019/08/14
	0 PLACES ±		
	DRAFT WHERE APPLICABLE MUST REMAIN WITHIN DIMENSIONS		THIRD ANGLE PROJECTION
		DRAWING	SERIES
		B-SIZE	130006
DOCUMENT NUMBER		CUSTOMER	SHEET NUMBER
1300062559		SEE TABLE	1 OF 1

**molex**

MINI-CHANGE CORDSET, A SIZE  
4 POLE, FEMALE, STRAIGHT, SINGLE KEY, 18 AWG  
TPE HI-FLEX

PRODUCT CUSTOMER DRAWING