

Part Number: D313740

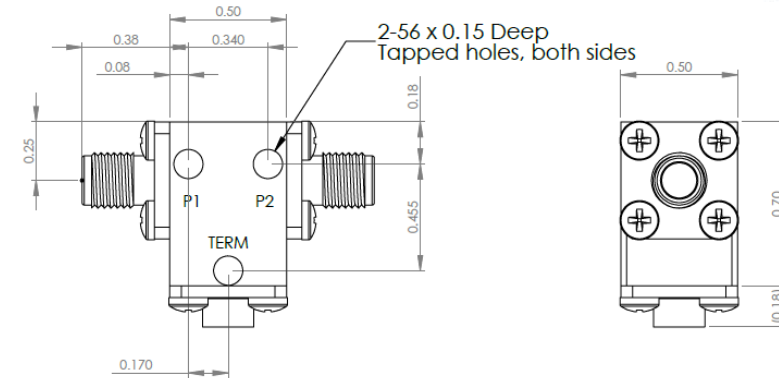
Electrical Specifications

| | |
|------------------------|----------------|
| Frequency Range (GHz): | 37.0 – 40.0 |
| Isolation (dB): | 18 MIN |
| Insertion Loss (dB): | 0.7 MAX |
| VSWR: | 1.25:1 MIN |
| Forward Power (W): | 5 AVG 30 PK |
| Reflective Power (W): | 2 AVG |

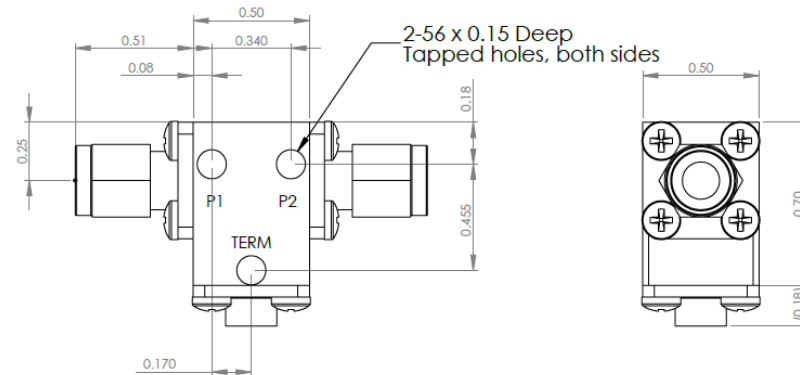
Mechanical/Environmental Specifications

| | |
|-------------------|----------------------------|
| Connector Type: | K (2.92mm) |
| Connector Body: | Passivated stainless steel |
| Connector Pin: | Gold plated copper |
| Load Body: | Brass |
| Magnetic Shunt: | Nickel plated CRS |
| Operational Temp: | -20°C to +65°C |
| Weight (oz) | 0.9 MAX |

D313740 Dimensions



D313740-3 Dimensions



Dimensions are in inches
Tolerance

XX ±0.03
XXX ±0.010

| Type of Device | PN Suffix | Connector Configuration Input / Output | PN Example |
|---|-----------|---|------------|
| Single and Dual Junction Isolator, 2-Port Device | N/A | Female / Female | D313740 |
| | -1 | Male / Female | D313740-1 |
| | -2 | Female / Male | D313740-2 |
| | -3 | Male / Male | D313740-3 |



MEASURED DATA

Part Number: D3I3740, +25°C

