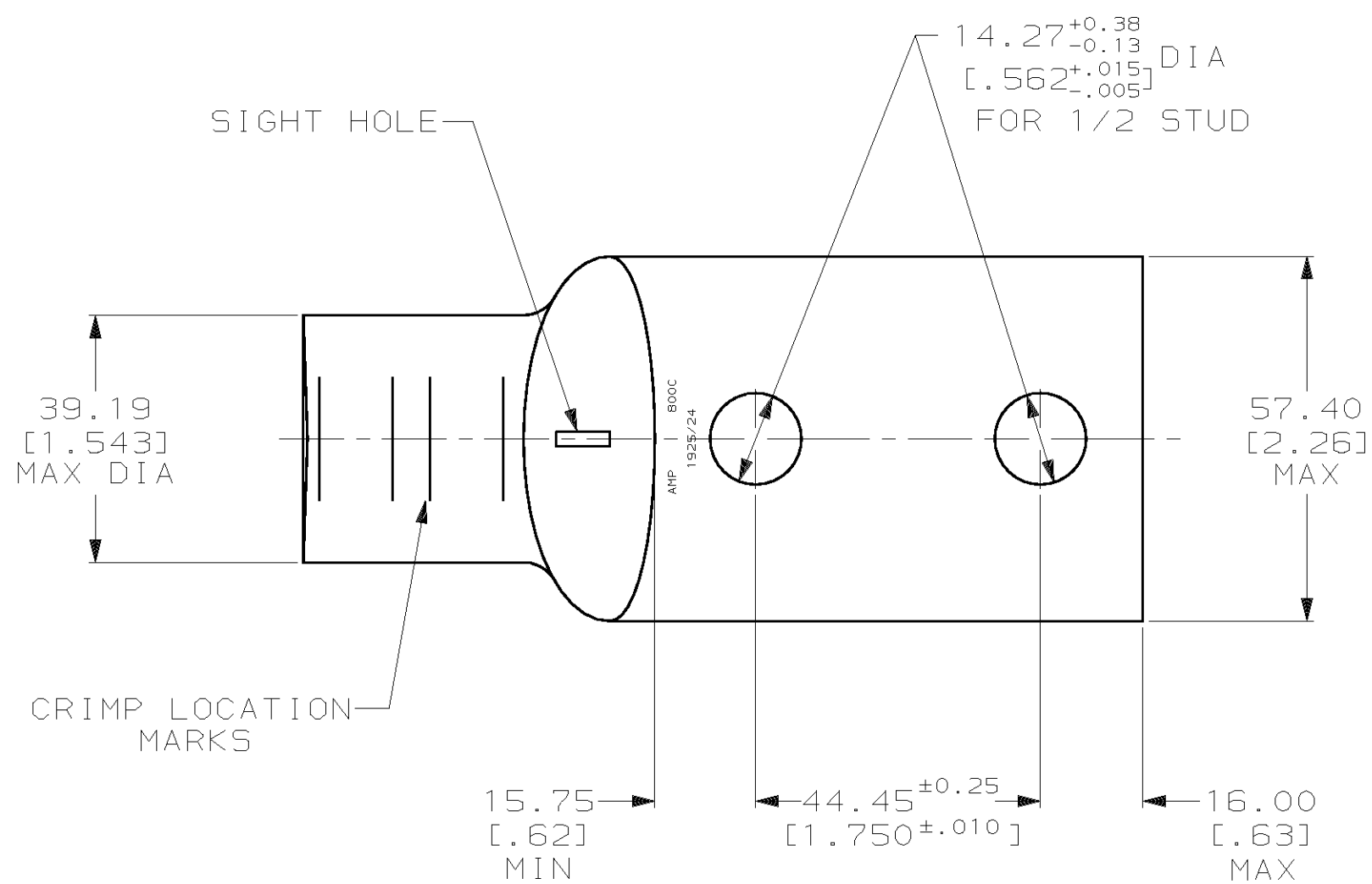
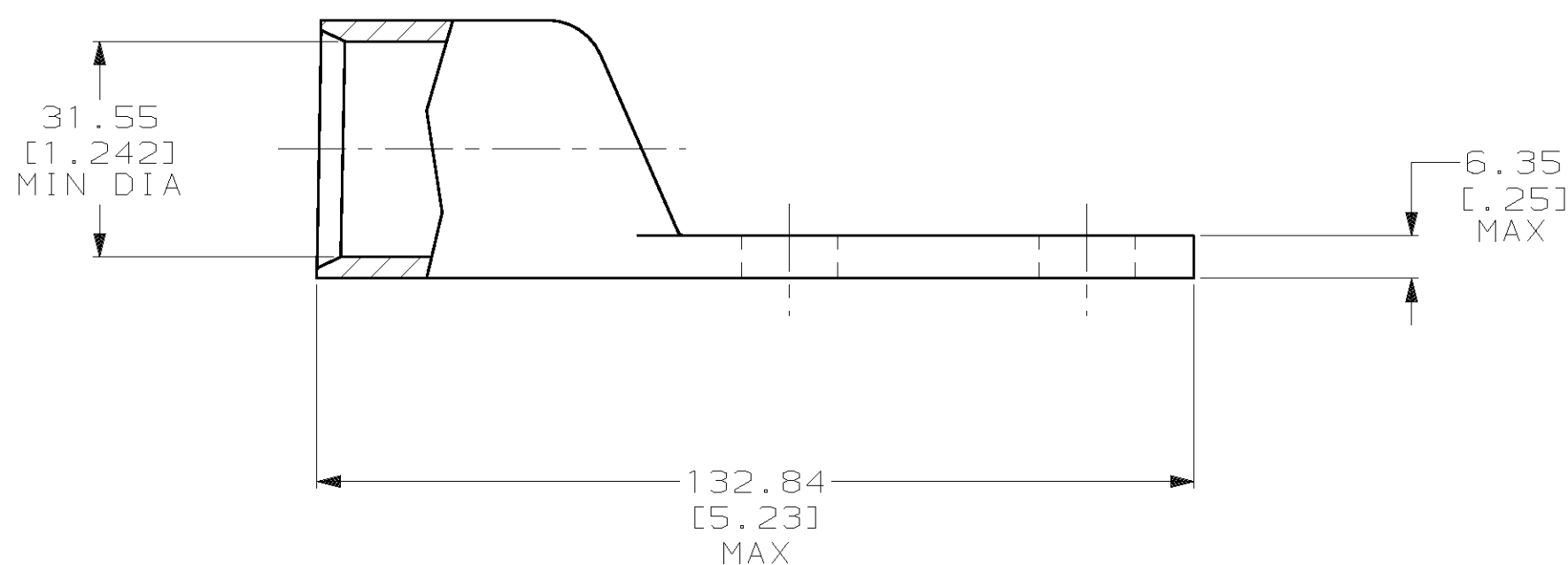


THIS DRAWING IS UNPUBLISHED. RELEASED FOR PUBLICATION ,19 .
 © COPYRIGHT 19 BY AMP INCORPORATED. ALL INTERNATIONAL RIGHTS RESERVED.

LOC		DIST		P		F		ZONE		LTR		REVISIONS		DATE	APPD
G		86								E		REV PER 063A-0561-01		09OCT02	JR/MS



- 1 CIRCULAR MIL RANGE: 750-850 MCM
- 2 TIN PL 0.00381 [.000150] MIN THK PER ASTM B 545
- 3 UNPLATED



METRIC

DO NOT SCALE PRINT. UNLESS SPECIFIED DIMENSIONS IN mm [INCHES] TOLERANCES ON : 2 PLC DEC ± 0.51 [.020] 3 PLC DEC ± - ANGLES ± -		DR 04/05/90 DK SCHRUM	327292-4	
MATERIAL ANNEALED COPPER ASTM B-75		CHK 25JAN95 MS FEHER	327292	
FINISH SEE NOTES		APPD 25JAN95 WJ VOCKROTH	FINISH	
WEIGHT .821 LB		APPD 25JAN95 TL SHUTTER	PART NO	
		PRODUCT SPEC 108-30200	AMP INCORPORATED Harrisburg, Pa. 17105	
		APPLICATION SPEC -	NAME TERMINAL, AMPPOWER™ WIRE SIZE: 800 MCM	
		SCALE 1:1	SIZE C	CAGE CODE 00779
			DRAWING NO	327292
			SHEET	1 OF 1