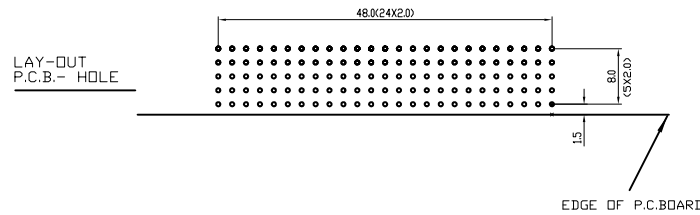
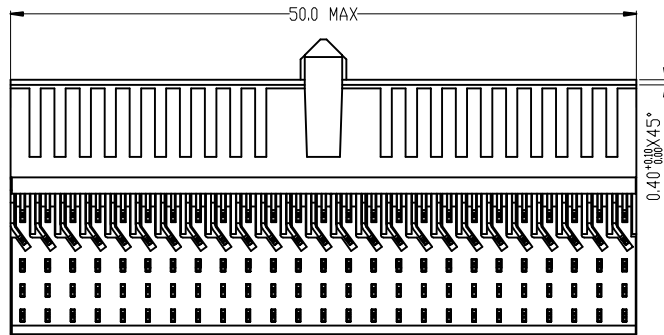


PERFORMANCE CHARACTERISTICS

- CURRENT RATING: 1.5 A AT 20°C (FULLY LOADED)
1 A AT 70°C (FULLY LOADED)
- RATED VOLTAGE: 500 V AC (CONT / CONT)
- OPERATING TEMPERATURE: -55°C TO 125°C
- CONTACT RESISTANCE: 20 mΩ MAX
- INSERTION FORCE: 0.75N MAX / CONT
- EXTRACTION FORCE: 0.15N MIN / CONT
- INSULATION RESISTANCE: 10⁴ MΩ MIN

NOTES

- 1. HM2R65PA5100 LF — LEAD FREE INDICATOR (LF=LEAD FREE)
- 2. FOR RECOMMENDED PTH DIMENSIONS REFER DRAWING (BSA.201572.001)
- 3. THIS PRODUCT (LF) MEETS EUROPEAN UNION DIRECTIVES AND OTHER COUNTRY REGULATIONS AS DESCRIBED IN GS-47-004
- 4. THIS DIMENSION APPLIES ONLY AFTER PRESS FITTING THE CONNECTOR TO BOARD



mat'l. code				surface ISO 1302 ✓		tolerance ISO 406 ISO 1101		projection MM		product family MILLIPACS	
ltr				ecn no		dr		date		title	
A				KN		14-09-01		tolerances unless otherwise specified		MPACS 5+2R RA	
B				M.Fret		20-11-01		angles		RCP CONN TYPE AB	
C				Kason		02-08-05		UNCL		scale 1.500	
D				Kason		05-09-07		0°±1°		Amphenol FCI	
E				NZ		03-22-10		dr		M SWALAHUDEEN 03-02-19	
F				MS		03-02-19		eng		M SWALAHUDEEN 03-02-19	
								chr		ALEX BABU 03-02-19	
								appd		BIJU K PAUL 03-02-19	
sheet index		revision sheet		F		1				dwg no BS.C, 201418,040	
										sheet 1 of 1 size A4	
										type Product Customer Drawing	