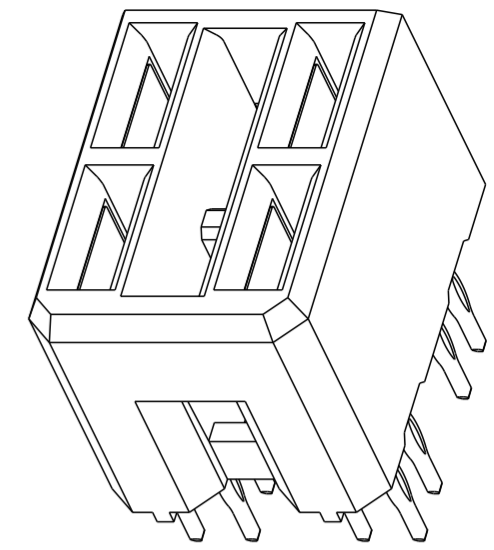
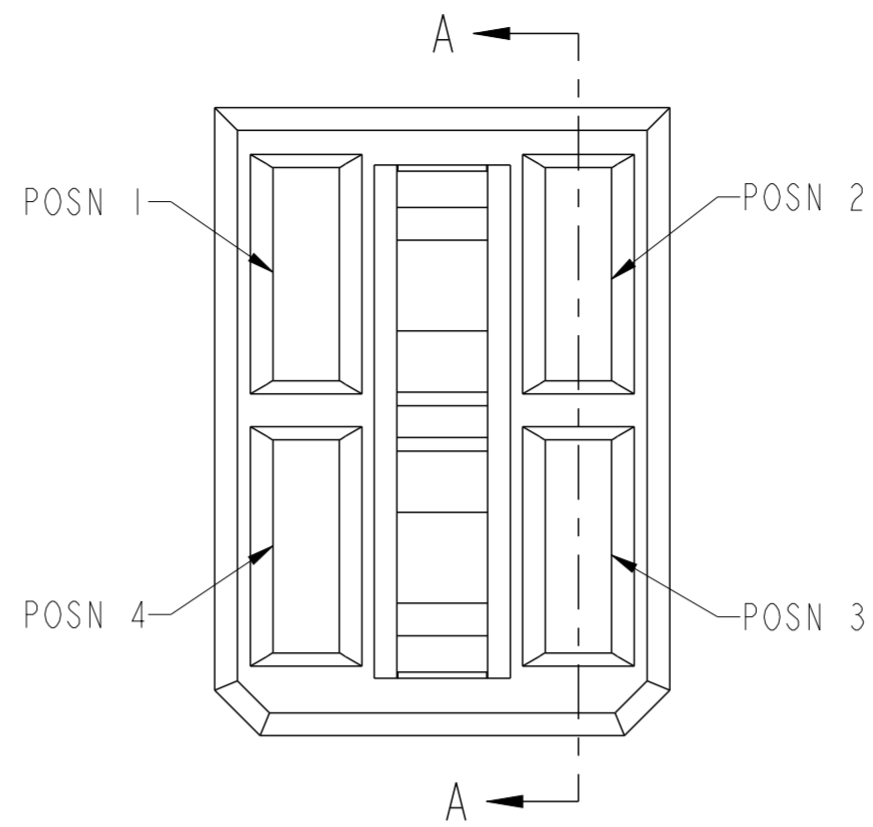
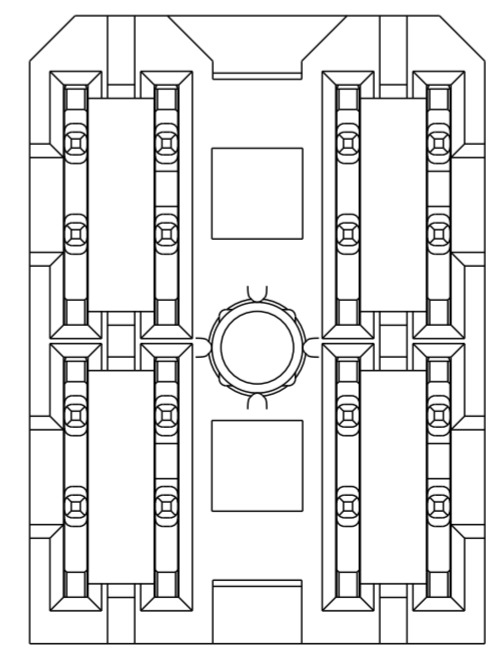
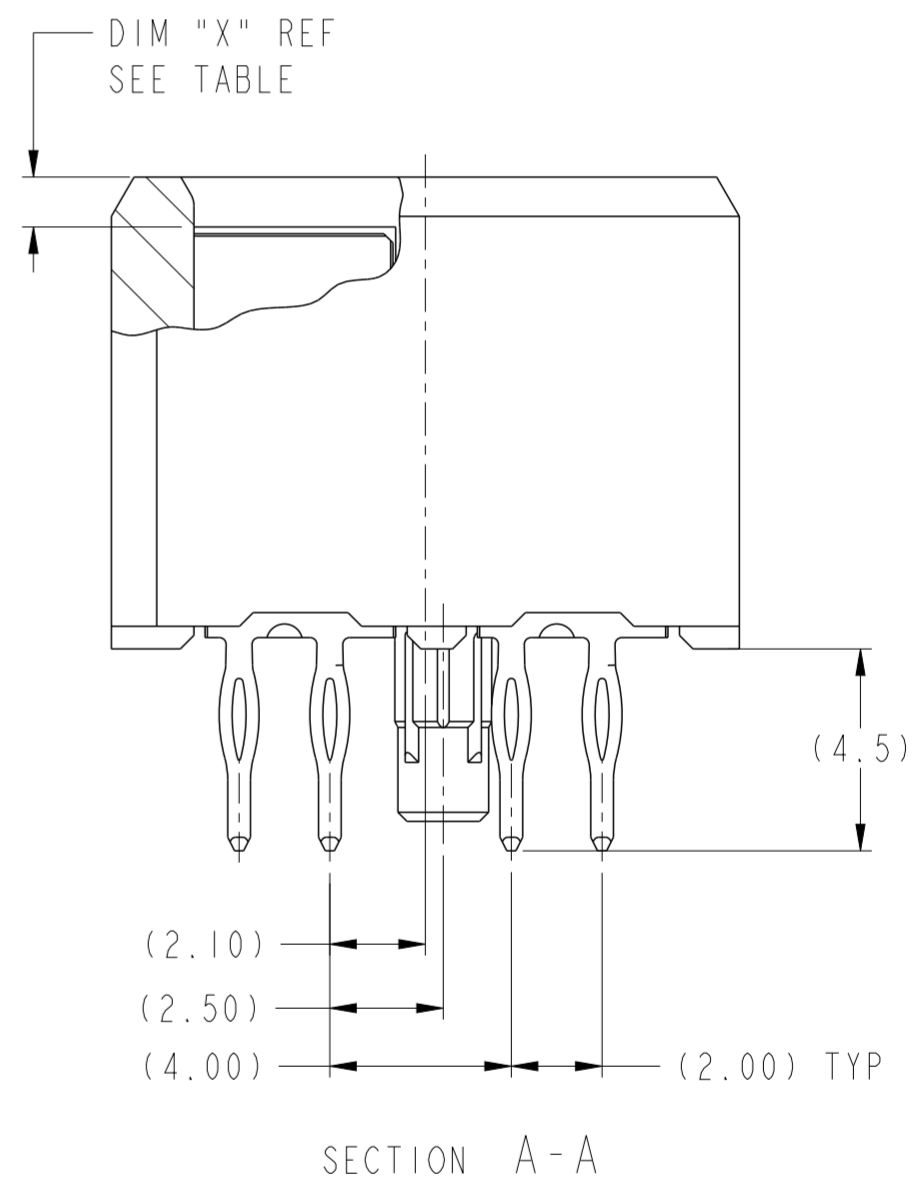
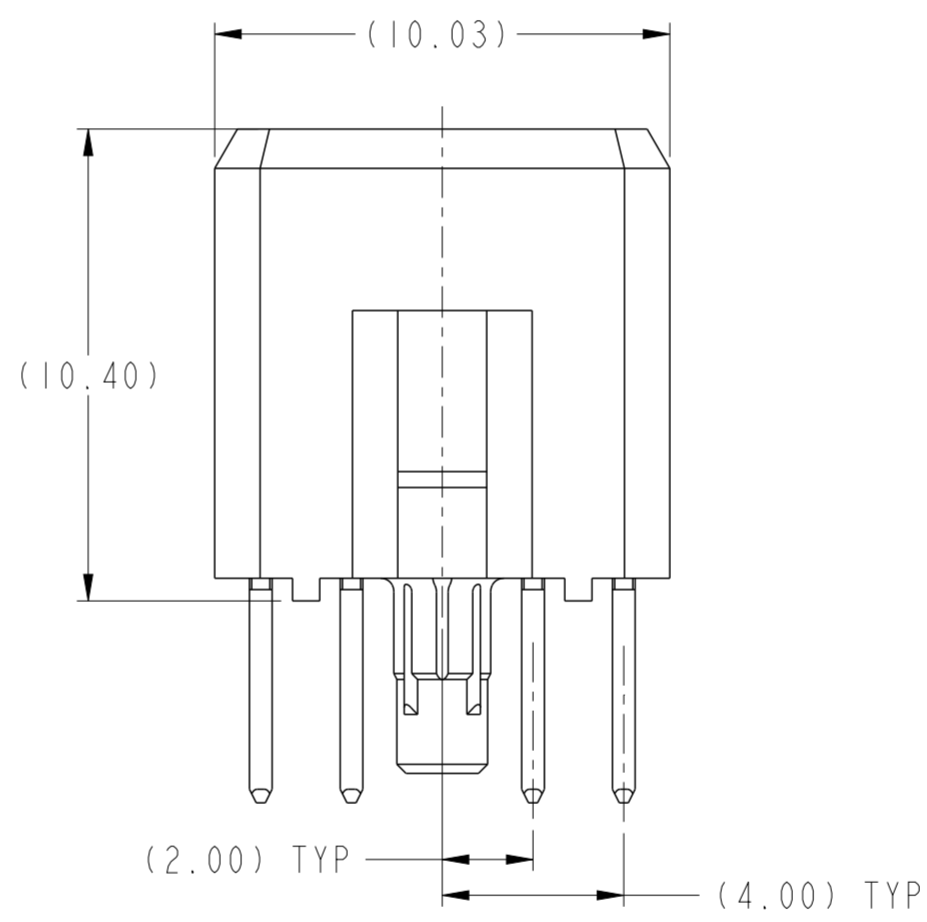
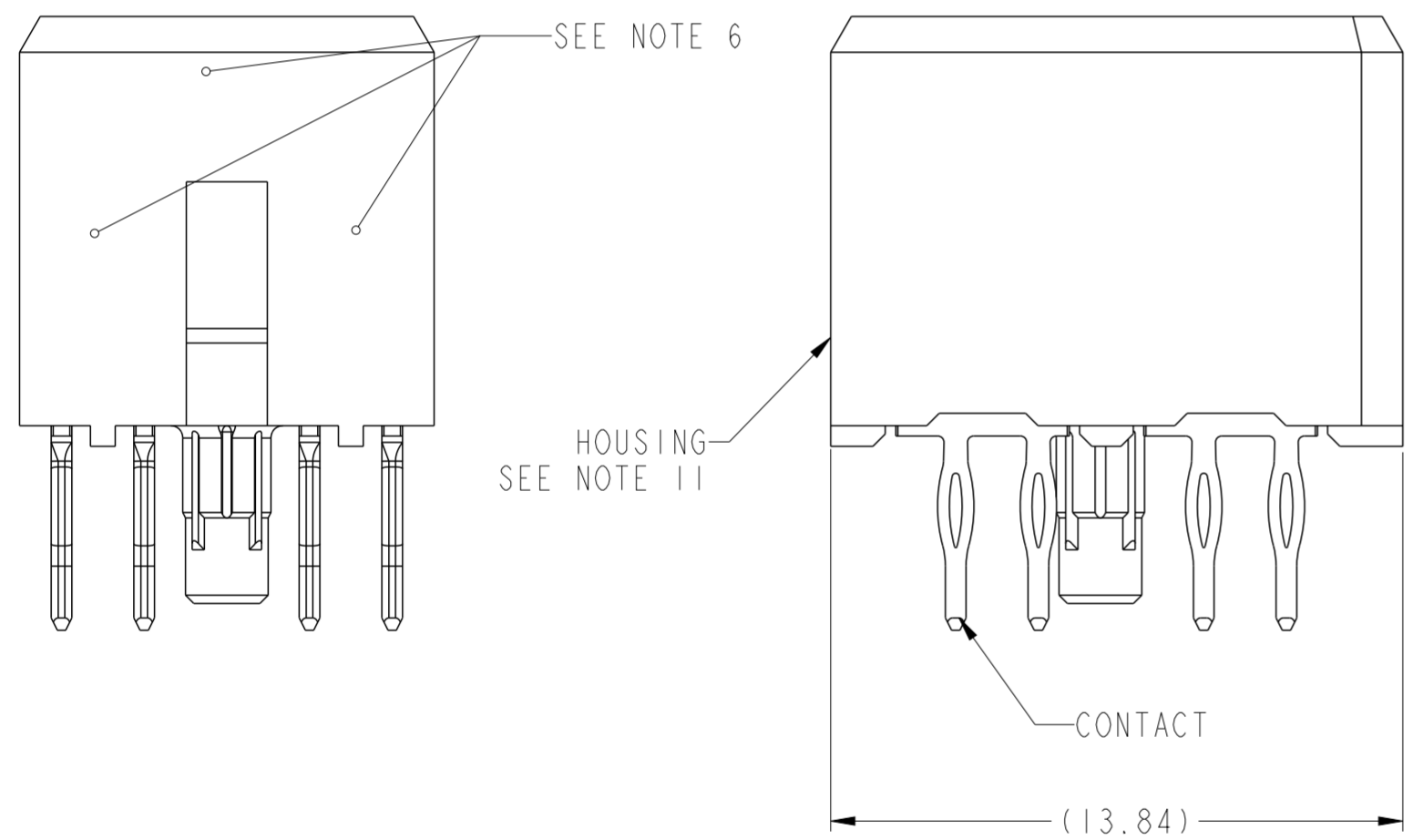


PRODUCT NUMBER ("LF" DENOTES LEAD-FREE)	CONTACT PLATING NOTE	MATING LENGTH, DIM "X"				ROHS COMPATIBILITY
		POSN 1	POSN 2	POSN 3	POSN 4	
10028916-4444P00	2					N/A
10028916-4444P00LF	3	1.10	1.10	1.10	1.10	SEE NOTE 9
10028916-5555P00	2					N/A
10028916-5555P00LF	3	2.60	2.60	2.60	2.60	SEE NOTE 9
10028916-4555P00	2	1.10	2.60	2.60	2.60	N/A
10028916-4555P00LF	3					SEE NOTE 9
10028916-5455P00	2	2.60	1.10	2.60	2.60	N/A
10028916-5455P00LF	3					SEE NOTE 9
10028916-5545P00	2	2.60	2.60	1.10	2.60	N/A
10028916-5545P00LF	3					SEE NOTE 9
10028916-5554P00	2	2.60	2.60	2.60	1.10	N/A
10028916-5554P00LF	3					SEE NOTE 9
10028916-4554P00	2	1.10	2.60	2.60	1.10	N/A
10028916-4554P00LF	3					SEE NOTE 9
10028916-4455P00	2	1.10	1.10	2.60	2.60	N/A
10028916-4455P00LF	3					SEE NOTE 9
10028916-5544P00	2	2.60	2.60	1.10	1.10	N/A
10028916-5544P00LF	3					SEE NOTE 9
10028916-5445P00	2	2.60	1.10	1.10	2.60	N/A
10028916-5445P00LF	3					SEE NOTE 9



SCALE 4:1

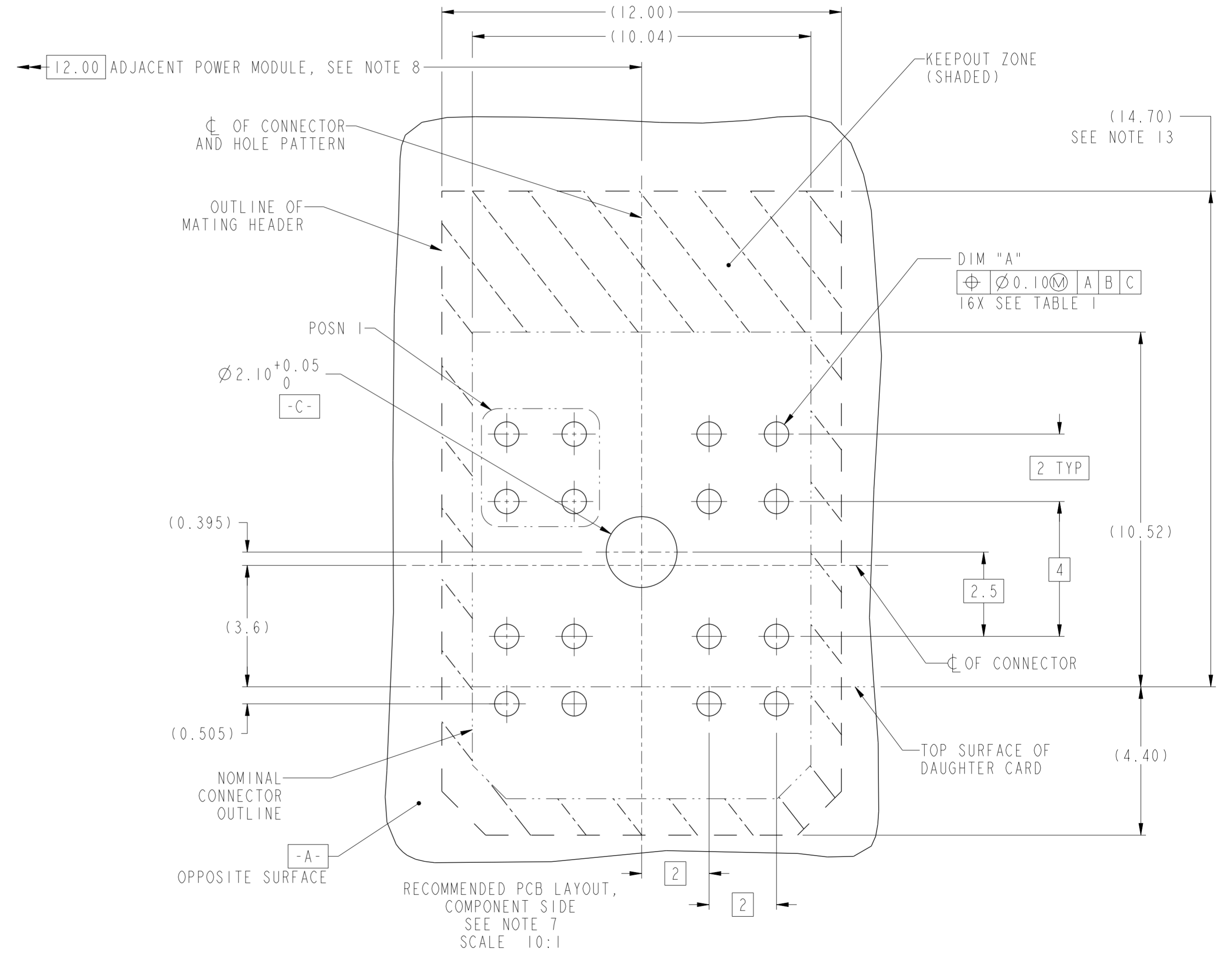


spec ref	GS-12-220	dr	Chen-Hong Yan	2005/08/04	projection	MM	size	A2	scale	6:1	
tolerance std	ASME Y14.5	eng	Terry Luo	2021/05/27			ecn no	ELX-DG-41001-1	rel level	Released	
TOLERANCES UNLESS OTHERWISE SPECIFIED		chr	-	appr							Heaven Cen
surface	3.2	linear	0.X	±.3		2X2 VERTICAL RECEPTACLE ASSY AIRMAX POWER	dwg no 10028916	rev N	Product - Customer Draw		
		angular	0°	±2°					cat. no.	-	sheet 1 of 2

TOP LAYER DESCRIPTION	TABLE I PLATED THROUGH-HOLE REQUIREMENTS							
	DRILLED HOLE DIAMETER	COPPER THICKNESS	TIN-LEAD THICKNESS	NICKEL THICKNESS	GOLD THICKNESS	TIN THICKNESS	SILVER THICKNESS	FINISHED HOLE DIAMETER (DIM "A")
TIN-LEAD	0.81-0.86 (0.85 DRILL)	0.025 - 0.050	0.005 - 0.015	--	--	--	--	0.65 - 0.80
IMMERSION TIN	0.81-0.86 (0.85 DRILL)	0.025 - 0.050	--	--	--	0.9 - 1.5um	--	0.70 - 0.80
IMMERSION SILVER	0.81-0.86 (0.85 DRILL)	0.025 - 0.050	--	--	--	--	0.15 - 0.65um	0.70 - 0.80
COPPER (SEE NOTE 12)	0.81-0.86 (0.85 DRILL)	0.025 - 0.050	--	--	--	--	--	0.70 - 0.80
GOLD	0.81-0.86 (0.85 DRILL)	0.025 - 0.050	--	0.003 - 0.007	FLASH UP TO 0.0002	--	--	0.69 - 0.80

NOTES:

1. CONNECTOR MATERIALS:
HOUSING: HIGH TEMPERATURE THERMOPLASTIC, BLACK
UL 94V-0 COMPLIANT
CONTACT: HIGH PERFORMANCE COPPER ALLOY
2. CONTACT PLATING:
PRESS-FIT TAIL: 0.5um TIN-LEAD OVER NICKEL.
SEPARABLE INTERFACE: 0.76um MIN GXT OVER NICKEL.
3. CONTACT PLATING (LEAD-FREE):
PRESS-FIT TAIL: 0.5um MIN MATTE TIN OVER NICKEL.
SEPARABLE INTERFACE: 0.76um MIN GXT OVER NICKEL.
4. PRODUCT SPECIFICATION: GS-12-220
5. APPLICATION SPECIFICATION: GS-20-023
6. PRODUCT MARKING (PRODUCT NUMBER & LOT CODE) ON HOUSING IN AREA SHOWN, EITHER SIDE.
7. MINIMUM NOMINAL BOARD THICKNESS: 2.4mm
8. REFER TO CUSTOMER DRAWING SK10035911 FOR INFORMATION REGARDING PCB LAYOUT OF POWER AND GUIDE MODULES RELATIVE TO AIRMAX SIGNAL MODULES.
9. PRODUCT MEETS EUROPEAN UNION DIRECTIVES AND OTHER COUNTRY REGULATIONS AS DESCRIBED IN FCI SPECIFICATION GS-22-008.
10. PACKAGING MEETS FCI SPECIFICATION GS-14-920
11. HOUSING COMPONENT WILL WITHSTAND EXPOSURE TO 260° PEAK TEMPERATURE FOR 60 SECONDS IN A CONVECTION, INFRA-RED OR VAPOR-PHASE REFLOW OVEN.
12. COPPER PLATING THICKNESS AT CENTER OF VIA HOLE CAN BE NO MORE THAN 0.003 LESS THAN OTHER AREAS.
13. KEEPOUT AREA APPLICABLE FOR HIGH PROFILE POWER HEADER WITH 14.70MM HEIGHT ABOVE TOP SURFACE OF DAUGHTER CARD. IT MAY BE 11.5MM IF A LOWER PROFILE HEADER IS USED.



Amphenol FCI

© 2020 Amphenol Corporation

spec ref	GS-12-220	dr	Chen-Hong Yan	2005/08/04	projection	MM	size	A2	scale	1:1
tolerance std	ASME Y14.5	eng	Terry Luo	2021/05/27	chr	-	ecn no	ELX-DG-41001-1	rel level	Released
surface	3.2	appr	Heaven Cen	2021/06/03	product family		2mm High Power		cat. no.	Product - Customer Drw
ASME Y14.5	linear	0.X	±.3	Amphenol FCI		title	2X2 VERTICAL RECEPTACLE ASSY		dwg no	10028916
		0.XX	±.1				AIRMAX POWER		rev	N
	angular	0.0XX	±.05						sheet	2 of 2
		0°	±2°							

PDS: Rev :N

STATUS:Released

Printed: Dec 16, 2021