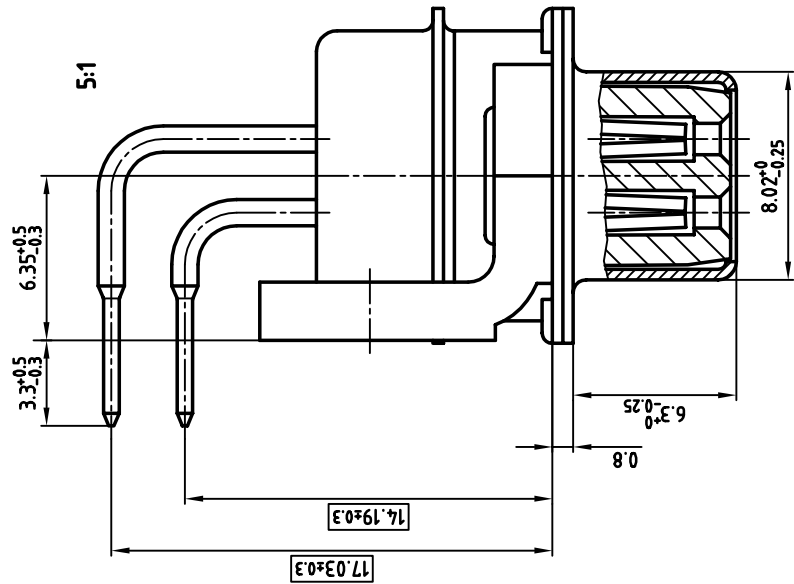


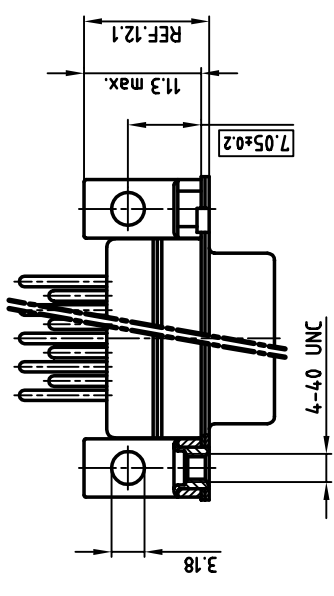
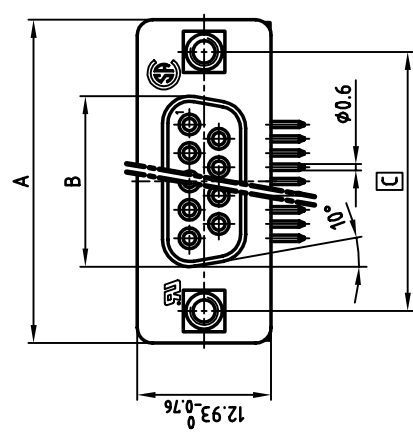
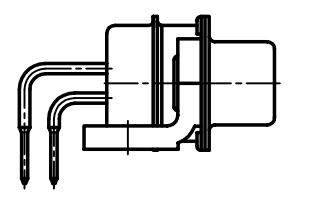
1 2 3 4 5 6 7 8

used for: D-SUB TT FILTER



**NOTES:**

1. METALSHELLS: STEEL; min. 320µ" TIN
2. INSULATORS: PBT GF UL 94 V-0, BLACK
3. CONTACTS: COPPER ALLOY
4. PLATING: min. 8µ" HARD GOLD OVER min. 50µ" NICKEL
5. METAL BRACKET: STEEL; min. 320µ" TIN over 80µ" NICKEL
6. THREADED INSERT: COPPER ALLOY; min. 200µ" TIN over 80µ" NICKEL
7. P.C.B. HOLE DRILLINGS ON DRAWING NO.: 16K111UA
8. CAPACITANCE: 2x1300pF ±20%
9. MAXIMUM TORQUE VALUE FOR THREAD: 6" LBS
10.   = CRITICAL DIMENSION: SPC



THIS DRAWING MAY NOT BE COPIED OR REPRODUCED IN ANY WAY, AND MAY NOT BE PASSED ON TO A THIRD PARTY WITHOUT WRITTEN PERMISSION.  
 OWNERSHIP AND COPYRIGHT OF CONEC GMBH DO NOT ALTER CAD DRAWING BY HAND

CONEC CORPORATION BRAMPTON, ONTARIO		tolerance	2001	date	name
drawn	09.04.	09.04.	E. Mickenbecker		
appd.	09.04.	norm	DIN 41852		
e-uid					
rev.	description	date	name		

scale:	2:1 (5:1)
material:	SEE NOTES
title:	D-SUB TT FILTER FEMALE 90° 0.590inch 9-37pos. with threaded insert and metal bracket
dwg no:	AutoCAD 2000 24K1A106A
part no:	DIN-A 3 sh:1/1

POS.	A	B	C	Part-NO.
9	31.19	16.46	25.00	242A26060X
15	39.52	24.79	33.30	242A26070X
25	53.42	38.50	47.04	242A26080X
37	69.70	54.96	63.50	242A26090X



SEE TABLE

1 2 3 4 5 6 7 8