

| PART NUMBER | REV | FIRST USED | POWER UNIT | FEED TYPE | DESCRIPTION |
|-------------|-----|------------|---------------|-----------|--------------------|
| 1852591-1 | 2 | 122500-1 | LEADMAKER | AIR FEED | CUTS CARRIER |
| 1852591-2 | 2 | 565435-5 | BENCH MODEL K | AIR FEED | CUTS CARRIER |
| 1852591-3 | 2 | 354500-1 | BENCH MODEL G | AIR FEED | CUTS CARRIER |
| 1852591-6 | 2 | 122500-1 | LEADMAKER | AIR FEED | CONTINUOUS CARRIER |
| 7-1852591-7 | 2 | - | - | - | SPARE PARTS |

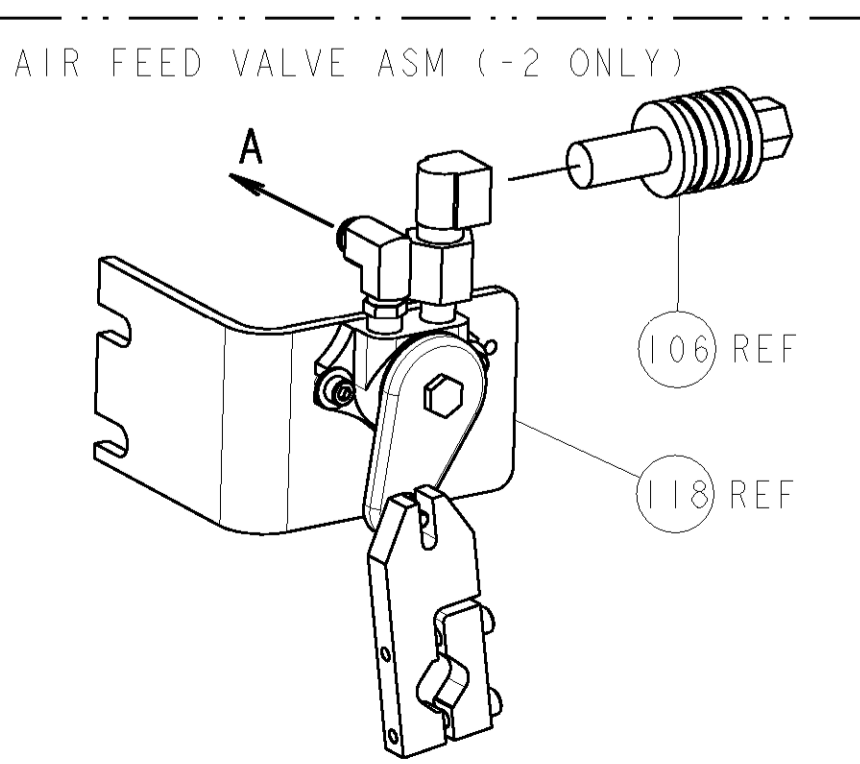
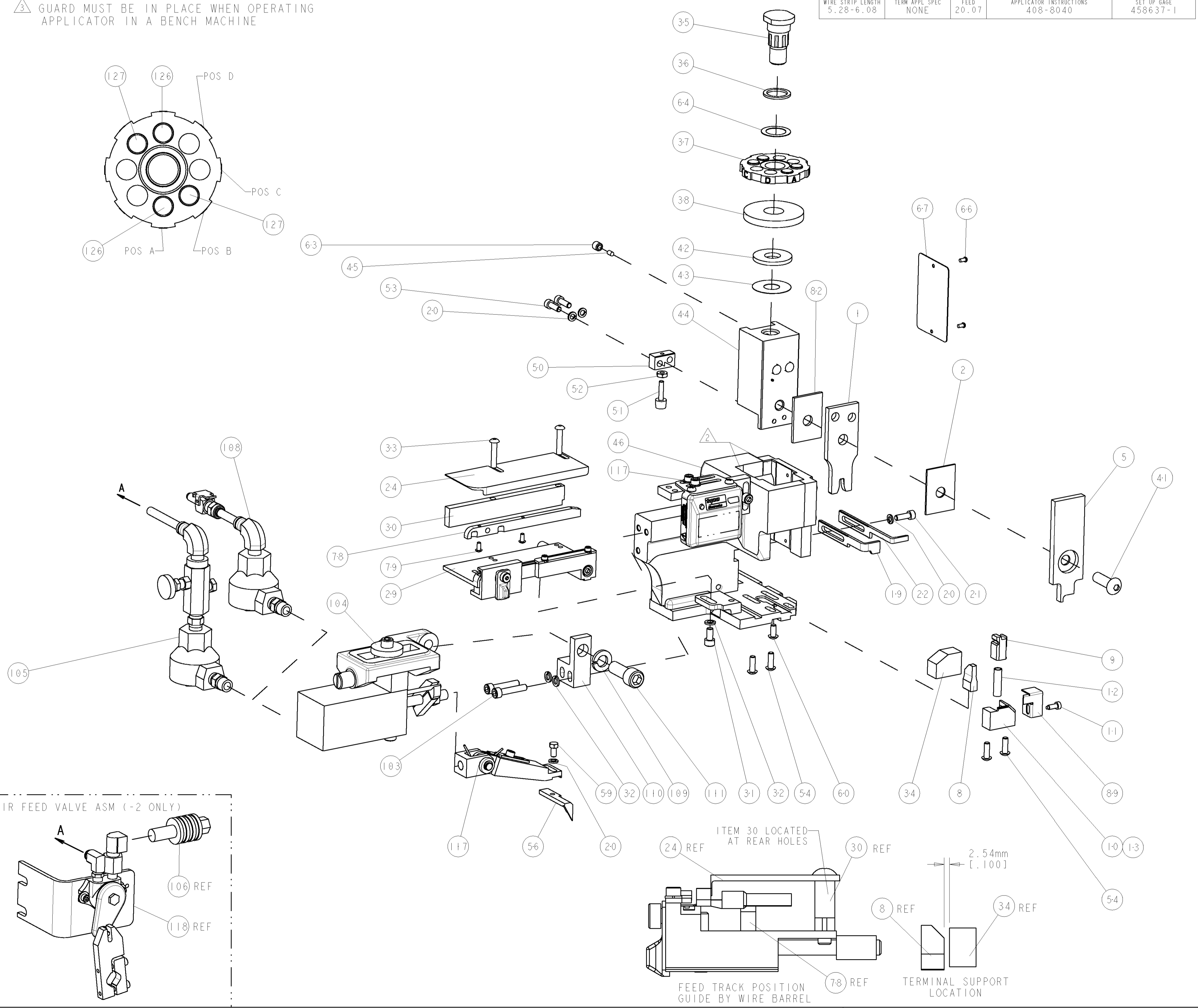
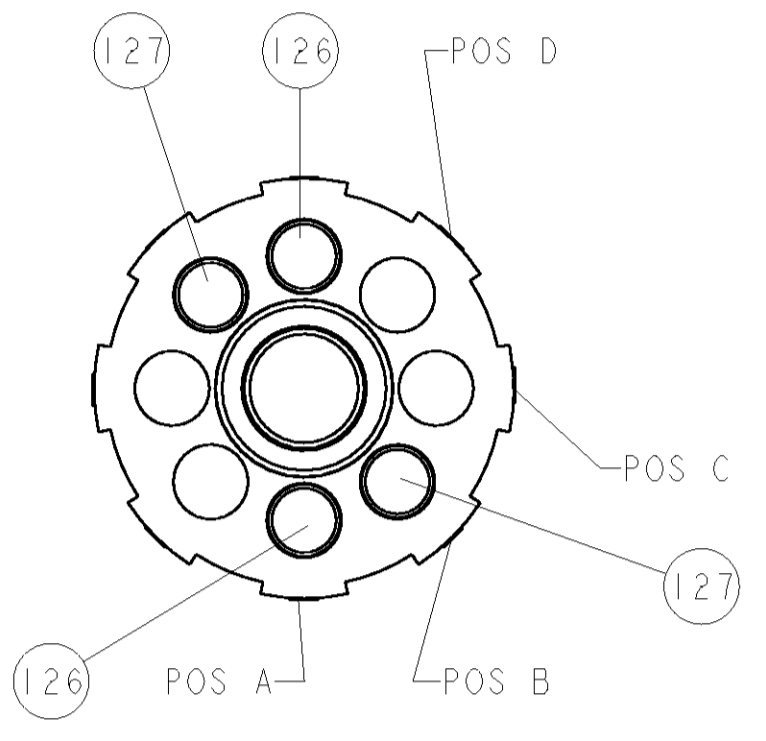


| TERMINAL NAME: FEMALE PANEL RECEPTACLE | | | |
|--|-------------------|---|---------------------------------------|
| TE P/N | MULTI-CONTACT P/N | MULTI-CONTACT TERMINAL - TE CRIMP SPECS | |
| 1949565 | 32.0056P2000 | | |
| | | PAD LTR | CRIMP HEIGHT |
| | | A | 2.49mm±.05/-0.05 [.098±.002/-0.002] |
| | | B | 2.11mm±.05/-0.05 [.083±.002/-0.002] |
| | | C | |
| | | D | |
| | | CRIMP | SIZE |
| | | | TYPE |
| | | | RANGE |
| | | WIRE | 3.94mm [.155] |
| | | INSUL | |
| WIRE STRIP LENGTH | TERM APPL SPEC | FEED | APPLICATOR INSTRUCTIONS |
| 5.28-6.08 | NONE | 20.07 | 408-8040 |
| | | | SET UP GAGE |
| | | | 458637-1 |

| LOC | DIST | REV | DESCRIPTION | DATE | BY | APPD |
|-----|------|-----|-------------|------|----|------|
| A | 66 | | | | | |

THIS PRINT IS
PRELIMINARY
UNQUALIFIED PRODUCT
CONTACT PRODUCT ENGINEERING
BEFORE USING THIS PRINT

- RECOMMENDED SPARE PARTS
- GREASE LIGHTLY
- GUARD MUST BE IN PLACE WHEN OPERATING APPLICATOR IN A BENCH MACHINE



| | | | | | | | | |
|---|----|----|-----|----|----|-------------|--------------------------------------|-------------|
| - | 2 | 2 | 2 | 2 | - | 6-354778-9 | PIN, WIRE DISC, .2840 | 127 |
| - | 2 | 2 | 2 | 2 | - | 4-354778-0 | PIN, WIRE DISC, .2695 | 126 |
| - | - | - | REF | - | - | 692655-6 | AIR FEED VALVE ASSEMBLY | 118 |
| - | 1 | 1 | 1 | 1 | - | 461062-1 | FEED FINGER ASSEMBLY | 117 |
| - | - | - | REF | - | - | 455749-1 | GUARD WINDOW | 116 |
| - | - | - | REF | - | - | 679532-1 | INSERT, GUARD | 115 |
| - | 1 | 1 | 1 | 1 | - | 3-21001-5 | SCR, SKT HD CAP 3/8-16 X 1.000 | 111 |
| - | 1 | 1 | 1 | 1 | - | 459610-1 | MOUNT, FEED BRACKET | 110 |
| - | 1 | 1 | 1 | 1 | - | 21024-8 | WASHER, SPRG LOCK, REG 3/8 | 109 |
| - | 1 | 1 | 1 | 1 | - | 692655-7 | AIR FEED VALVE ASSEMBLY | 108 |
| - | - | - | REF | - | - | 24024-2 | VALVE, SHUT OFF | 106 |
| - | - | - | 1 | - | - | 692655-5 | AIR FEED VALVE ASSEMBLY | 105 |
| - | 1 | 1 | 1 | 1 | - | 461065-1 | ASSEMBLY, AIR FEED | 104 |
| - | 2 | 2 | 2 | 2 | - | 3-21000-9 | SCR, SKT HD CAP 10-32 X 1.000 | 103 |
| - | 1 | 1 | 1 | 1 | - | 318563-1 | GUARD, FRONT CHIP | 89 |
| - | 1 | 1 | 1 | 1 | - | 2-455888-1 | SPACER, CRIMPER | 82 |
| - | 2 | 2 | 2 | 2 | - | 1-21002-3 | SCR, BTN SKT HD CAP 4-40 X .250 | 79 |
| - | 1 | 1 | 1 | 1 | - | 189807-5 | FENCE | 78 |
| - | 1 | 1 | 1 | 1 | - | 4088040 | SF APPL INST 408-8040 | 72 |
| - | 1 | 1 | 1 | 1 | - | 217238-1 | GENERAL INSTRUCTION PKG | 71 |
| - | 1 | 1 | 1 | 1 | - | 461264-1 | PLATE, IDENTIFICATION | 67 |
| - | 2 | 2 | 2 | 2 | - | 21017-2 | SCREW, DRIVE | 66 |
| - | 1 | 1 | 1 | 1 | - | 986950-1 | WASHER, FLAT PRECISION | 64 |
| - | 1 | 1 | 1 | 1 | - | 21009-2 | SCR, SET, SELF LOCKING 1/4-20 X .250 | 63 |
| - | 1 | 1 | 1 | 1 | - | 22733-8 | SCR, BHSC, SELF-LOCKING, 8-32 X .375 | 60 |
| - | 1 | 1 | 1 | 1 | - | 2-22603-0 | SCR, HEX HD CAP 8-32 X .312 | 59 |
| - | 1 | 1 | 1 | 1 | - | 2-694433-6 | FEED PAWL | 56 |
| - | 4 | 4 | 4 | 4 | - | 2-21002-2 | SCR, BTN SKT HD CAP 8-32 X .500 | 54 |
| - | 2 | 2 | 2 | 2 | - | 2-21000-7 | SCR, SKT HD CAP 8-32 X .500 | 53 |
| - | 1 | 1 | 1 | 1 | - | 21018-5 | NUT, HEX, REG 6-32 | 52 |
| - | 1 | 1 | 1 | 1 | - | 811242-2 | BUMPER, HOLD DOWN | 51 |
| - | 1 | 1 | 1 | 1 | - | 690753-1 | SPACER, TONKER | 50 |
| - | 1 | 1 | 1 | 1 | - | 1633399-7 | APPL., BASIC AIR FEED SUB ASSY | 46 |
| - | 1 | 1 | 1 | 1 | - | 690191-1 | PLUG, NYLON | 45 |
| - | 1 | 1 | 1 | 1 | - | 455673-6 | RAM, SIDE FEED | 44 |
| - | 1 | 1 | 1 | 1 | - | 690125-1 | SHIM SUB-ASSY | 43 |
| - | 1 | 1 | 1 | 1 | - | 690124-1 | WASHER, RAM (.115) | 42 |
| - | 1 | 1 | 1 | 1 | - | 7-21002-9 | SCR, BTN SKT HD CAP 5/16-24 X 1.00 | 41 |
| - | 1 | 1 | 1 | 1 | - | 690223-2 | SPACER, INS. | 38 |
| - | 1 | 1 | 1 | 1 | - | 354777-1 | WIRE DISC, ASSEMBLY | 37 |
| - | 1 | 1 | 1 | 1 | - | 22480-5 | SPRING, COMPRESSION | 36 |
| - | 1 | 1 | 1 | 1 | - | 690212-1 | POST, RAM | 35 |
| - | 1 | 1 | 1 | 1 | - | 3-690786-5 | TERMINAL SUPPORT | 34 |
| - | 2 | 2 | 2 | 2 | - | 9-21002-6 | SCR, BTN SKT HD CAP 8-32 X .875 | 33 |
| - | 3 | 3 | 3 | 3 | - | 21024-5 | WASHER, SPRG LOCK, REG NO 10 | 32 |
| - | 1 | 1 | 1 | 1 | - | 3-21000-4 | SCR, SKT HD CAP 10-32 X .375 | 31 |
| - | 1 | 1 | 1 | 1 | - | 2-1320908-2 | SPACER, STRIP GUIDE | 30 |
| - | 1 | 1 | 1 | 1 | - | 1633091-7 | ASSEMBLY, STRIP GUIDE | 29 |
| - | 1 | 1 | 1 | 1 | - | 1320928-4 | PLATE, STRIP GUIDE | 24 |
| - | 1 | 1 | 1 | 1 | - | 690472-4 | STRIPPER | 22 |
| - | 1 | 1 | 1 | 1 | - | 2-21000-7 | SCR, SKT HD CAP 8-32 X .500 | 21 |
| - | 4 | 4 | 4 | 4 | - | 21024-4 | WASHER, SPRG LOCK, REG NO 8 | 20 |
| - | - | - | 1 | - | - | 691353-1 | STRIPPER | 19 |
| - | 1 | 1 | 1 | 1 | - | 679625-1 | SHEAR HOLDER, FRONT (NO CUT) | 13 |
| - | 1 | 1 | 1 | 1 | - | 3-22280-3 | SPRING, COMPRESSION | 12 |
| - | 1 | 1 | 1 | 1 | - | 690461-1 | STOP, SHEAR | 11 |
| - | - | - | 1 | - | - | 690459-1 | SHEAR HOLDER, FRONT | 10 |
| - | 1 | 1 | 1 | 1 | - | 454276-1 | FLOATING SHEAR, FRONT | 9 |
| - | 1 | 1 | 1 | 1 | - | 1633572-3 | ANVIL, WIRE | 8 |
| - | - | - | - | - | - | - | - | 7 |
| - | - | - | - | - | - | - | - | 6 |
| - | 1 | 1 | 1 | 1 | - | 1-455889-4 | DEPRESSOR, SHEAR | 5 |
| - | - | - | - | - | - | - | - | 4 |
| - | - | - | - | - | - | - | - | 3 |
| - | 1 | 1 | 1 | 1 | - | 1-455888-0 | SPACER, CRIMPER | 2 |
| - | 1 | 1 | 1 | 1 | - | 456415-6 | CRIMPER, WIRE .155 F PREMIUM | 1 |
| - | 77 | -6 | -3 | -2 | -1 | U/M | PART NO | DESCRIPTION |
| - | - | - | - | - | - | - | - | ITEM NO |

| DIMENSIONS: | | TOLERANCES UNLESS OTHERWISE SPECIFIED: | |
|-------------|--|--|---------|
| INCHES | | 0 PLC | ± |
| | | 1 PLC | ±0.1 |
| | | 2 PLC | ±0.01 |
| | | 3 PLC | ±0.001 |
| | | 4 PLC | ±0.0001 |
| | | ANGLES | ± |
| MATERIAL | | FINISH | |

| | | | |
|------------------|----------|-------|-----------|
| APVD | DATE | BY | APPD |
| | | | |
| PRODUCT SPEC | NAME | SIZE | CAGE CODE |
| | | | |
| APPLICATION SPEC | REVISION | SCALE | SHEET |
| | | | |
| CUSTOMER DRAWING | SCALE | SHEET | OF |
| | | | |

CUSTOMER VIEWABLE ASSEMBLY