

The PSoC Core

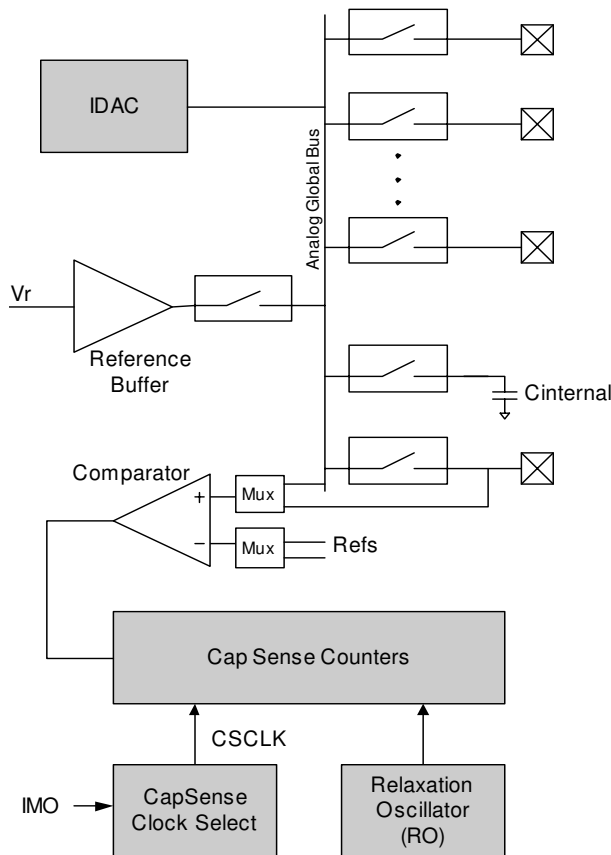
The PSoC Core is a powerful engine that supports a rich instruction set. It encompasses SRAM for data storage, an interrupt controller, sleep and watchdog timers, and IMO (internal main oscillator) and ILO (internal low speed oscillator). The CPU core, called the M8C, is a powerful processor with speeds up to 12 MHz. The M8C is a two-MIPS, 8-bit Harvard architecture microprocessor.

System Resources provide additional capability, such as a configurable I2C slave/SPI master-slave communication interface and various system resets supported by the M8C.

The Analog System is composed of the CapSense PSoC block and an internal 1.8V analog reference, which together support capacitive sensing of up to 28 inputs.

The CapSense Analog System

The Analog System contains the capacitive sensing hardware. Several hardware algorithms are supported. This hardware performs capacitive sensing and scanning without requiring external components. Capacitive sensing is configurable on each GPIO pin. Scanning of enabled CapSense pins can be completed quickly and easily across multiple ports.



Analog System Block Diagram

The Analog Multiplexer System

The Analog Mux Bus can connect to every GPIO pin. Pins can be connected to the bus individually or in any combination. The bus also connects to the analog system for analysis with the CapSense block comparator.

Switch control logic enables selected pins to precharge continuously under hardware control. This enables capacitive measurement for applications such as touch sensing. Other multiplexer applications include:

- Complex capacitive sensing interfaces, such as sliders and touchpads.
- Chip-wide mux that allows analog input from any IO pin.
- Crosspoint connection between any IO pin combinations.

Additional System Resources

System Resources, some of which have been previously listed, provide additional capability useful to complete systems. Additional resources include low voltage detection and power on reset. Brief statements describing the merits of each system resource are presented below.

- The I2C slave/SPI master-slave module provides 50/100/400 kHz communication over two wires. SPI communication over 3 or 4 wires runs at speeds of 46.9 kHz to 3 MHz (lower for a slower system clock).
- Low Voltage Detection (LVD) interrupts can signal the application of falling voltage levels, while the advanced POR (Power On Reset) circuit eliminates the need for a system supervisor.
- An internal 1.8V reference provides an absolute reference for capacitive sensing.
- The 5V maximum input, 3V fixed output, low-dropout regulator (LDO) provides regulation for IOs. A register-controlled bypass mode allows the user to disable the LDO.

Getting Started

The quickest path to understanding the PSoC silicon is by reading this data sheet and using the PSoC Designer Integrated Development Environment (IDE). This data sheet is an overview of the PSoC integrated circuit and presents specific pin, register, and electrical specifications. For in-depth information, along with detailed programming information, reference the *PSoC Mixed-Signal Array Technical Reference Manual*, which can be found on <http://www.cypress.com/psoc>.

For up-to-date Ordering, Packaging, and Electrical Specification information, reference the latest PSoC device data sheets on the web at <http://www.cypress.com>.

Development Kits

Development Kits are available from the following distributors: Digi-Key, Avnet, Arrow, and Future. The Cypress Online Store contains development kits, C compilers, and all accessories for PSoC development. Go to the Cypress Online Store web site at <http://www.cypress.com>, click the Online Store shopping cart icon at the bottom of the web page, and click *PSoC (Programmable System-on-Chip)* to view a current list of available items.

Technical Training

Free PSoC technical training is available for beginners and is taught by a marketing or application engineer over the phone. PSoC training classes cover designing, debugging, advanced analog, as well as application-specific classes covering topics such as PSoC and the LIN bus. Go to <http://www.cypress.com>, click on Design Support located on the left side of the web page, and select Technical Training for more details.

Consultants

Certified PSoC Consultants offer everything from technical assistance to completed PSoC designs. To contact or become a PSoC Consultant go to <http://www.cypress.com>, click on Design Support located on the left side of the web page, and select CYPros Consultants.

Technical Support

PSoC application engineers take pride in fast and accurate response. They can be reached with a 4-hour guaranteed response at <http://www.cypress.com/support/login.cfm>.

Application Notes

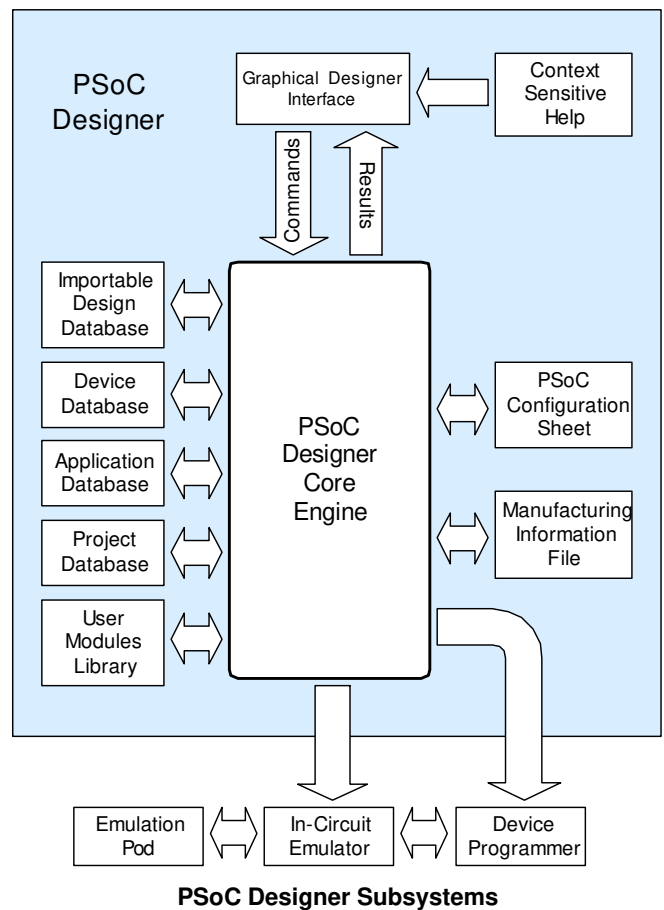
A long list of application notes will assist you in every aspect of your design effort. To view the PSoC application notes, go to the <http://www.cypress.com> web site and select Application Notes under the Design Resources list located in the center of the web page. Application notes are sorted by date by default.

Development Tools

PSoC Designer is a Microsoft® Windows-based, integrated development environment for the Programmable System-on-Chip (PSoC) devices. The PSoC Designer IDE and application runs on Windows NT 4.0, Windows 2000, Windows Millennium (Me), or Windows XP. (Reference the PSoC Designer Functional Flow diagram below.)

PSoC Designer helps the customer to select an operating configuration for the PSoC, write application code that uses the PSoC, and debug the application. This system provides design database management by project, an integrated debugger with In-Circuit Emulator, in-system programming support, and the CYASM macro assembler for the CPUs.

PSoC Designer also supports a high-level C language compiler developed specifically for the devices in the family.



PSoC Designer Software Subsystems

Device Editor

The device editor subsystem allows the user to select different onboard analog and digital components called user modules using the PSoC blocks. Examples of user modules are ADCs, DACs, Amplifiers, and Filters.

The device editor also supports easy development of multiple configurations and dynamic reconfiguration. Dynamic reconfiguration allows for changing configurations at run time.

PSoC Designer sets up power-on initialization tables for selected PSoC block configurations and creates source code for an application framework. The framework contains software to operate the selected components and, if the project uses more than one operating configuration, contains routines to switch between different sets of PSoC block configurations at run time. PSoC Designer can print out a configuration sheet for a given project configuration for use during application programming in conjunction with the Device Data Sheet. Once the framework is generated, the user can add application-specific code to flesh out the framework. It's also possible to change the selected components and regenerate the framework.

Application Editor

In the Application Editor you can edit your C language and Assembly language source code. You can also assemble, compile, link, and build.

Assembler. The macro assembler allows the assembly code to be merged seamlessly with C code. The link libraries automatically use absolute addressing or can be compiled in relative mode, and linked with other software modules to get absolute addressing.

C Language Compiler. A C language compiler is available that supports the PSoC family of devices. Even if you have never worked in the C language before, the product quickly allows you to create complete C programs for the PSoC family devices.

The embedded, optimizing C compiler provides all the features of C tailored to the PSoC architecture. It comes complete with embedded libraries providing port and bus operations, standard keypad and display support, and extended math functionality.

Debugger

The PSoC Designer Debugger subsystem provides hardware in-circuit emulation, allowing the designer to test the program in a physical system while providing an internal view of the PSoC device. Debugger commands allow the designer to read the program and read and write data memory, read and write IO registers, read and write CPU registers, set and clear breakpoints, and provide program run, halt, and step control. The debugger also allows the designer to create a trace buffer of registers and memory locations of interest.

Online Help System

The online help system displays online, context-sensitive help for the user. Designed for procedural and quick reference, each functional subsystem has its own context-sensitive help. This system also provides tutorials and links to FAQs and an Online Support Forum to aid the designer in getting started.

Hardware Tools

In-Circuit Emulator

A low cost, high functionality ICE (In-Circuit Emulator) is available for development support. This hardware has the capability to program single devices.

The emulator consists of a base unit that connects to the PC by way of a USB port. The base unit is universal and will operate with all PSoC devices. Emulation pods for each device family are available separately. The emulation pod takes the place of the PSoC device in the target board and performs full speed (24 MHz) operation.

Designing with User Modules

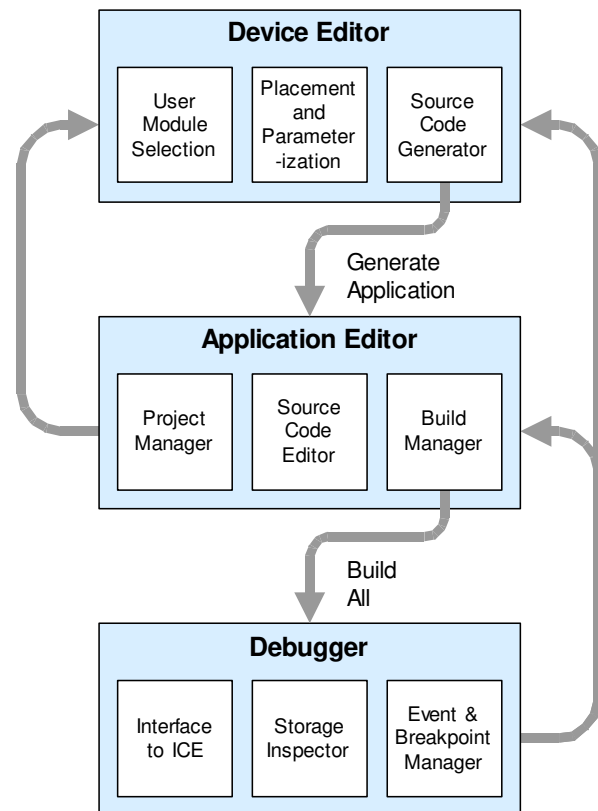
The development process for the PSoC device differs from that of a traditional fixed function microprocessor. The configurable analog and digital hardware blocks give the PSoC architecture a unique flexibility that pays dividends in managing specification change during development and by lowering inventory costs. These configurable resources, called PSoC Blocks, have the ability to implement a wide variety of user-selectable functions. Each block has several registers that determine its function and connectivity to other blocks, multiplexers, buses and to the IO pins. Iterative development cycles permit you to adapt the hardware as well as the software. This substantially lowers the risk of having to select a different part to meet the final design requirements.

To speed the development process, the PSoC Designer Integrated Development Environment (IDE) provides a library of pre-built, pre-tested hardware peripheral functions, called “User Modules.” User modules make selecting and implementing peripheral devices simple, and come in analog, digital, and mixed signal varieties.

Each user module establishes the basic register settings that implement the selected function. It also provides parameters that allow you to tailor its precise configuration to your particular application. For example, a Pulse Width Modulator User Module configures one or more digital PSoC blocks, one for each 8 bits of resolution. The user module parameters permit you to establish the pulse width and duty cycle. User modules also provide tested software to cut your development time. The user module application programming interface (API) provides high-level functions to control and respond to hardware events at run time. The API also provides optional interrupt service routines that you can adapt as needed.

The API functions are documented in user module data sheets that are viewed directly in the PSoC Designer IDE. These data sheets explain the internal operation of the user module and provide performance specifications. Each data sheet describes the use of each user module parameter and documents the setting of each register controlled by the user module.

The development process starts when you open a new project and bring up the Device Editor, a graphical user interface (GUI) for configuring the hardware. You pick the user modules you need for your project and map them onto the PSoC blocks with point-and-click simplicity. Next, you build signal chains by interconnecting user modules to each other and the IO pins. At this stage, you also configure the clock source connections and enter parameter values directly or by selecting values from drop-down menus. When you are ready to test the hardware configuration or move on to developing code for the project, you perform the “Generate Application” step. This causes PSoC Designer to generate source code that automatically configures the device to your specification and provides the high-level user module API functions.



User Module and Source Code Development Flows

The next step is to write your main program, and any sub-routines using PSoC Designer's Application Editor subsystem. The Application Editor includes a Project Manager that allows you to open the project source code files (including all generated code files) from a hierarchical view. The source code editor provides syntax coloring and advanced edit features for both C and assembly language. File search capabilities include simple string searches and recursive “grep-style” patterns. A single mouse click invokes the Build Manager. It employs a professional-strength “makefile” system to automatically analyze all file dependencies and run the compiler and assembler as necessary. Project-level options control optimization strategies used by the compiler and linker. Syntax errors are displayed in a console window. Double clicking the error message takes you directly to the offending line of source code. When all is correct, the linker builds a HEX file image suitable for programming.

The last step in the development process takes place inside the PSoC Designer's Debugger subsystem. The Debugger downloads the HEX image to the In-Circuit Emulator (ICE) where it runs at full speed. Debugger capabilities rival those of systems costing many times more. In addition to traditional single-step, run-to-breakpoint and watch-variable features, the Debugger provides a large trace buffer and allows you define complex breakpoint events that include monitoring address and data bus values, memory locations and external signals.

Document Conventions

Acronyms Used

The following table lists the acronyms that are used in this document.

Acronym	Description
AC	alternating current
API	application programming interface
CPU	central processing unit
DC	direct current
GPIO	general purpose IO
GUI	graphical user interface
ICE	in-circuit emulator
ILO	internal low speed oscillator
IMO	internal main oscillator
IO	input/output
LSb	least-significant bit
LVD	low voltage detect
MSb	most-significant bit
POR	power on reset
PPOR	precision power on reset
PSoC®	Programmable System-on-Chip™
SLIMO	slow IMO
SRAM	static random access memory

Units of Measure

A units of measure table is located in the Electrical Specifications section. [Table 2-1 on page 11](#) lists all the abbreviations used to measure the PSoC devices.

Numeric Naming

Hexidecimal numbers are represented with all letters in uppercase with an appended lowercase 'h' (for example, '14h' or '3Ah'). Hexidecimal numbers may also be represented by a '0x' prefix, the C coding convention. Binary numbers have an appended lowercase 'b' (e.g., '01010100b' or '01000011b'). Numbers not indicated by an 'h', 'b', or 0x are decimal.

Table of Contents

For an in depth discussion and more information on your PSoC device, obtain the *PSoC Mixed-Signal Array Technical Reference Manual* on <http://www.cypress.com>. This document is organized into the following chapters and sections.

1. Pin Information	7
1.1 Pinouts	7
1.1.1 16-Pin Part Pinout	7
1.1.2 24-Pin Part Pinout	8
1.1.3 32-Pin Part Pinout	9
1.1.4 48-Pin OCD Part Pinout	10
2. Electrical Specifications	11
2.1 Absolute Maximum Ratings	12
2.2 Operating Temperature	12
2.3 DC Electrical Characteristics	12
2.3.1 DC Chip-Level Specifications	12
2.3.2 DC General Purpose IO Specifications	13
2.3.3 DC Analog Mux Bus Specifications	14
2.3.4 DC POR and LVD Specifications	14
2.3.5 DC Programming Specifications	15
2.4 AC Electrical Characteristics	16
2.4.1 AC Chip-Level Specifications	16
2.4.2 AC General Purpose IO Specifications	17
2.4.3 AC Comparator Amplifier Specifications	18
2.4.4 AC Analog Mux Bus Specifications	18
2.4.5 AC External Clock Specifications	19
2.4.6 AC Programming Specifications	20
2.4.7 AC SPI Specifications	21
2.4.8 AC I2C Specifications	22
3. Packaging Information	23
3.1 Packaging Dimensions	23
3.2 Thermal Impedances	27
3.3 Solder Reflow Peak Temperature	27
4. Development Tool Selection	28
4.1 Software	28
4.1.1 PSoC Designer	28
4.1.2 PSoC Express	28
4.1.3 PSoC Programmer	28
4.1.4 CY3202-C iMAGEcraft C Compiler	28
4.2 Development Kits	28
4.2.1 CY3215-DK Basic Development Kit	28
4.2.2 CY3210-ExpressDK Development Kit	29
4.3 Evaluation Tools	29
4.3.1 CY3210-MiniProg1	29
4.3.2 CY3210-PSoCEval1	29
4.3.3 CY3214-PSoCEvalUSB	29
4.4 Device Programmers	29
4.4.1 CY3216 Modular Programmer	29
4.4.2 CY3207ISSP In-System Programmer	29
4.5 Accessories (Emulation and Programming)	30
4.6 3rd-Party Tools	30
4.7 Build a PSoC Emulator into Your Board	30
5. Ordering Information	31
5.1 Ordering Code Definitions	31
6. Sales and Service Information	32
6.1 Revision History	32
6.2 Copyrights and Code Protection	32

1. Pin Information



This chapter describes, lists, and illustrates the CY8C20234, CY8C20334 and CY8C20434 PSoC device pins and pinout configurations.

1.1 Pinouts

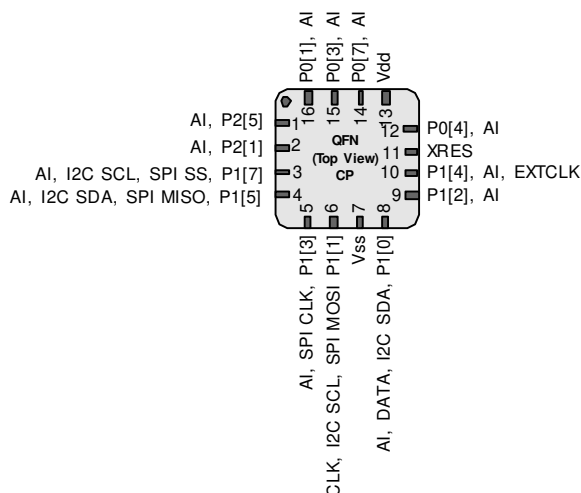
The CY8C20x34 PSoC device is available in a variety of packages which are listed and illustrated in the following tables. Every port pin (labeled with a “P”) is capable of Digital IO and connection to the common analog bus. However, Vss, Vdd, and XRES are not capable of Digital IO.

1.1.1 16-Pin Part Pinout

Table 1-1. 16-Pin Part Pinout (QFN)**

Pin No.	Type		Name	Description
	Digital	Analog		
1	IO	I	P2[5]	
2	IO	I	P2[1]	
3	IOH	I	P1[7]	I2C SCL, SPI SS.
4	IOH	I	P1[5]	I2C SDA, SPI MISO.
5	IOH	I	P1[3]	SPI CLK.
6	IOH	I	P1[1]	CLK*, I2C SCL, SPI MOSI.
7	Power		Vss	Ground connection.
8	IOH	I	P1[0]	DATA*, I2C SDA.
9	IOH	I	P1[2]	
10	IOH	I	P1[4]	Optional external clock input (EXTCLK).
11	Input		XRES	Active high external reset with internal pull down.
12	IO	I	P0[4]	
13	Power		Vdd	Supply voltage.
14	IO	I	P0[7]	
15	IO	I	P0[3]	Integrating input.
16	IO	I	P0[1]	
CP	Power		Vss	Center pad must be connected to ground.

CY8C20234 16-Pin PSoC Device



LEGEND A = Analog, I = Input, O = Output, OH = 5 mA High Output Drive.

* These are the ISSP pins, which are not High Z at POR (Power On Reset).

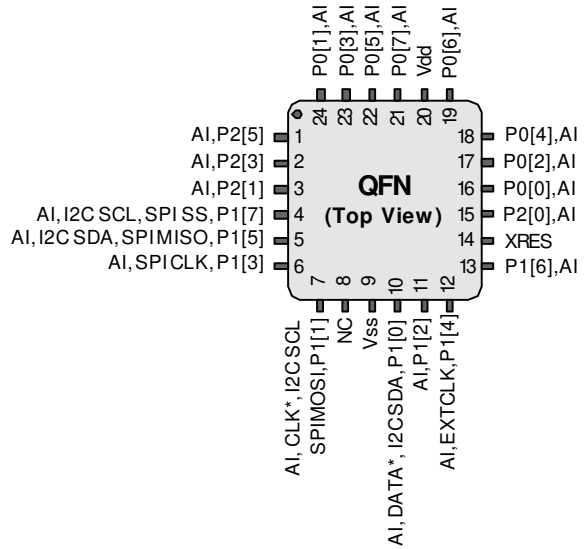
** The center pad (CP) on the QFN package should be connected to ground (Vss) for best mechanical, thermal, and electrical performance. If not connected to ground, it should be electrically floated and not connected to any other signal.

1.1.2 24-Pin Part Pinout

Table 1-2. 24-Pin Part Pinout (QFN**)

Pin No.	Type		Name	Description
	Digital	Analog		
1	IO	I	P2[5]	
2	IO	I	P2[3]	
3	IO	I	P2[1]	
4	IOH	I	P1[7]	I2C SCL, SPI SS.
5	IOH	I	P1[5]	I2C SDA, SPI MISO.
6	IOH	I	P1[3]	SPI CLK.
7	IOH	I	P1[1]	CLK*, I2C SCL, SPI MOSI.
8			NC	No connection.
9	Power		Vss	Ground connection.
10	IOH	I	P1[0]	DATA*, I2C SDA.
11	IOH	I	P1[2]	
12	IOH	I	P1[4]	Optional external clock input (EXTCLK).
13	IOH	I	P1[6]	
14	Input		XRES	Active high external reset with internal pull down.
15	IO	I	P2[0]	
16	IO	I	P0[0]	
17	IO	I	P0[2]	
18	IO	I	P0[4]	
19	IO	I	P0[6]	Analog bypass.
20	Power		Vdd	Supply voltage.
21	IO	I	P0[7]	
22	IO	I	P0[5]	
23	IO	I	P0[3]	Integrating input.
24	IO	I	P0[1]	
CP	Power		Vss	Center pad must be connected to ground.

CY8C20334 24-Pin PSoC Device



LEGEND A = Analog, I = Input, O = Output, OH = 5 mA High Output Drive.

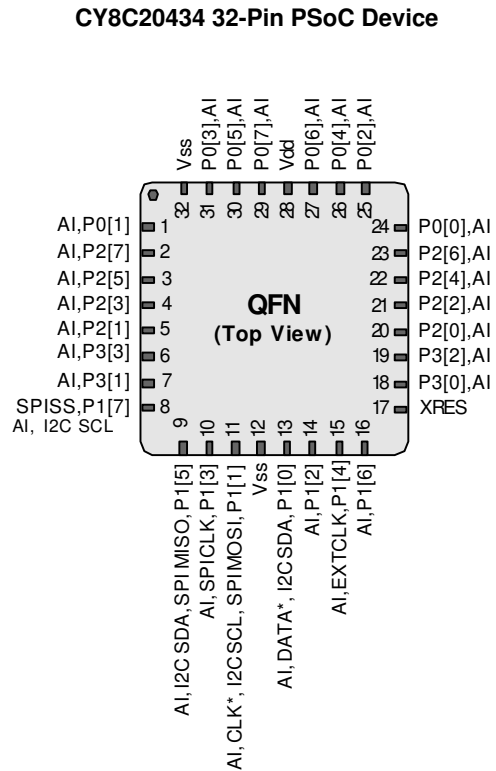
* These are the ISSP pins, which are not High Z at POR (Power On Reset). See the *PSoC Mixed-Signal Array Technical Reference Manual* for details.

** The center pad on the QFN package should be connected to ground (Vss) for best mechanical, thermal, and electrical performance. If not connected to ground, it should be electrically floated and not connected to any other signal.

1.1.3 32-Pin Part Pinout

Table 1-3. 32-Pin Part Pinout (QFN**)

Pin No.	Type		Name	Description
	Digital	Analog		
1	IO	I	P0[1]	
2	IO	I	P2[7]	
3	IO	I	P2[5]	
4	IO	I	P2[3]	
5	IO	I	P2[1]	
6	IO	I	P3[3]	
7	IO	I	P3[1]	
8	IOH	I	P1[7]	I2C SCL, SPI SS.
9	IOH	I	P1[5]	I2C SDA, SPI MISO.
10	IOH	I	P1[3]	SPI CLK.
11	IOH	I	P1[1]	CLK*, I2C SCL, SPI MOSI.
12	Power		Vss	Ground connection.
13	IOH	I	P1[0]	DATA*, I2C SDA.
14	IOH	I	P1[2]	
15	IOH	I	P1[4]	Optional external clock input (EXTCLK).
16	IOH	I	P1[6]	
17	Input		XRES	Active high external reset with internal pull down.
18	IO	I	P3[0]	
19	IO	I	P3[2]	
20	IO	I	P2[0]	
21	IO	I	P2[2]	
22	IO	I	P2[4]	
23	IO	I	P2[6]	
24	IO	I	P0[0]	
25	IO	I	P0[2]	
26	IO	I	P0[4]	
27	IO	I	P0[6]	Analog bypass.
28	Power		Vdd	Supply voltage.
29	IO	I	P0[7]	
30	IO	I	P0[5]	
31	IO	I	P0[3]	Integrating input.
32	Power		Vss	Ground connection.
CP	Power		Vss	Center pad must be connected to ground.



LEGEND A = Analog, I = Input, O = Output, OH = 5 mA High Output Drive.

* These are the ISSP pins, which are not High Z at POR (Power On Reset). See the *PSoC Mixed-Signal Array Technical Reference Manual* for details.

** The center pad on the QFN package should be connected to ground (Vss) for best mechanical, thermal, and electrical performance. If not connected to ground, it should be electrically floated and not connected to any other signal.

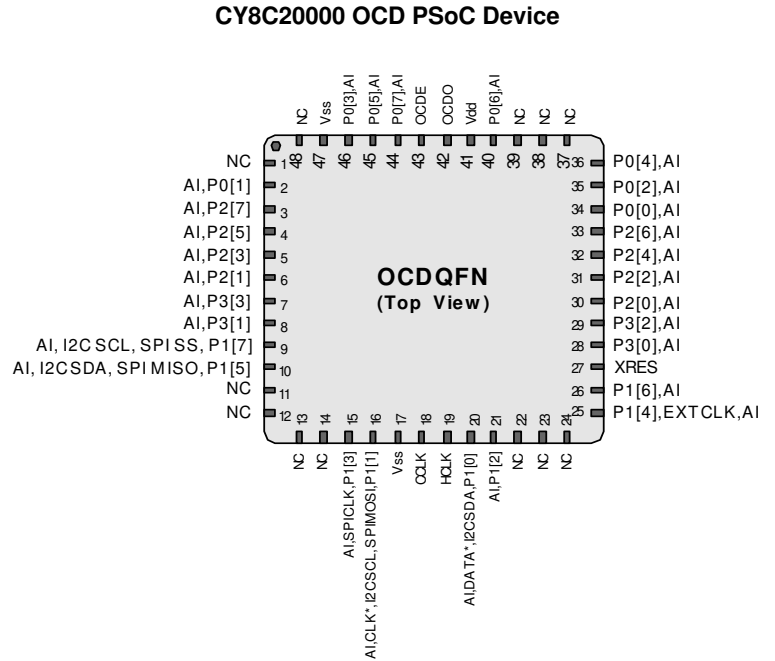
1.1.4 48-Pin OCD Part Pinout

The 48-pin QFN part table and drawing below is for the CY8C20000 On-Chip Debug (OCD) PSoC device.

Note This part is only used for in-circuit debugging. It is NOT available for production

Table 1-4. 48-Pin OCD Part Pinout (QFN**)

Pin No.	Digital	Analog	Name	Description
1			NC	No connection.
2	IO	I	P0[1]	
3	IO	I	P2[7]	
4	IO	I	P2[5]	
5	IO	I	P2[3]	
6	IO	I	P2[1]	
7	IO	I	P3[3]	
8	IO	I	P3[1]	
9	IOH	I	P1[7]	I2C SCL, SPI SS.
10	IOH	I	P1[5]	I2C SDA, SPI MISO.
11			NC	No connection.
12			NC	No connection.
13			NC	No connection.
14			NC	No connection.
15	IOH	I	P1[3]	SPI CLK.
16	IOH	I	P1[1]	CLK*, I2C SCL, SPI MOSI.
17		Power	Vss	Ground connection.
18			CCLK	OCD CPU clock output.
19			HCLK	OCD high speed clock output.
20	IOH	I	P1[0]	DATA*, I2C SDA.
21	IOH	I	P1[2]	
22			NC	No connection.
23			NC	No connection.
24			NC	No connection.
25	IOH	I	P1[4]	Optional external clock input (EXTCLK).
26	IOH	I	P1[6]	
27		Input	XRES	Active high external reset with internal pull down.
28	IO	I	P3[0]	
29	IO	I	P3[2]	
30	IO	I	P2[0]	
31	IO	I	P2[2]	
32	IO	I	P2[4]	



Not for Production

Pin No.	Digital	Analog	Name	Description
41	Power		Vdd	Supply voltage.
42			OCDO	OCD even data IO.
43			OCDE	OCD odd data output.
44	IO	I	P0[7]	
45	IO	I	P0[5]	
46	IO	I	P0[3]	Integrating input.
47	Power		Vss	Ground connection.
48			NC	No connection.
CP	Power		Vss	Center pad must be connected to ground.

LEGEND A = Analog, I = Input, O = Output, NC = No Connection H = 5 mA High Output Drive.

* ISSP pin which is not HighZ at POR. See the *PSoC Mixed-Signal Array Technical Reference Manual* for details.

** The center pad on the QFN package should be connected to ground (Vss) for best mechanical, thermal, and electrical performance. If not connected to ground, it should be electrically floated and not connected to any other signal.

2. Electrical Specifications



This chapter presents the DC and AC electrical specifications of the CY8C20234, CY8C20334 and CY8C20434 PSoC devices. For the most up to date electrical specifications, confirm that you have the most recent data sheet by going to the web at <http://www.cypress.com/psoc>.

Specifications are valid for $-40^{\circ}\text{C} \leq T_A \leq 85^{\circ}\text{C}$ and $T_J \leq 100^{\circ}\text{C}$ as specified, except where noted.

Refer to Table 2-10 for the electrical specifications on the internal main oscillator (IMO) using SLIMO mode.

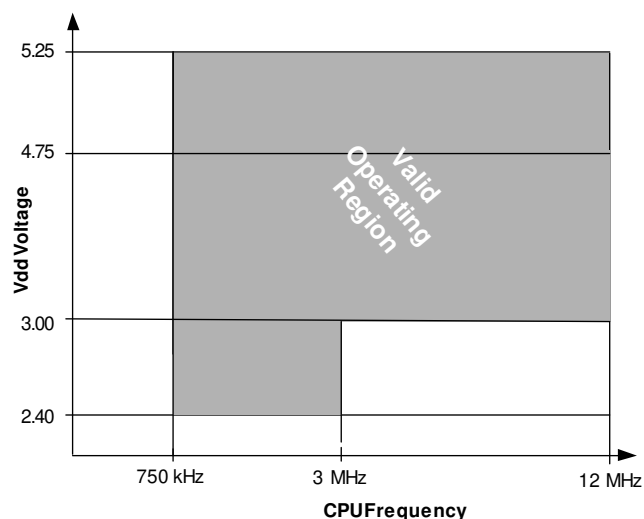


Figure 2-1a. Voltage versus CPU Frequency

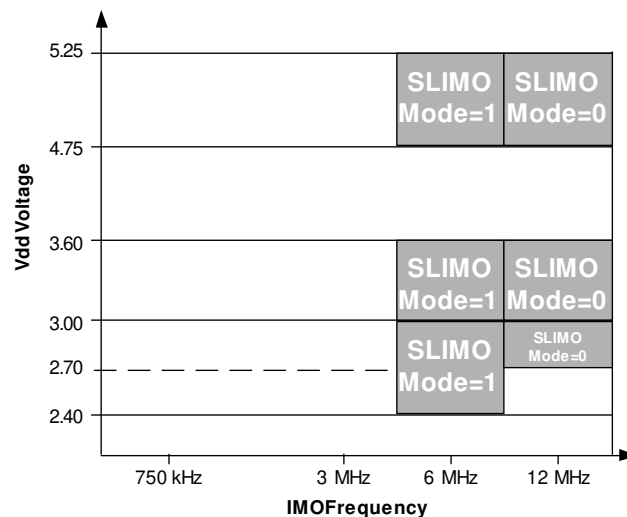


Figure 2-1b. IMO Frequency Trim Options

The following table lists the units of measure that are used in this chapter.

Table 2-1: Units of Measure

Symbol	Unit of Measure	Symbol	Unit of Measure
$^{\circ}\text{C}$	degree Celsius	μW	microwatts
dB	decibels	mA	milli-ampere
fF	femto farad	ms	milli-second
Hz	hertz	mV	milli-volts
KB	1024 bytes	nA	nanoampere
Kbit	1024 bits	ns	nanosecond
kHz	kilohertz	nV	nanovolts
k Ω	kilohm	Ω	ohm
MHz	megahertz	pA	picoampere
M Ω	megaohm	pF	picofarad
μA	microampere	pp	peak-to-peak
μF	microfarad	ppm	parts per million
μH	microhenry	ps	picosecond
μs	microsecond	sps	samples per second
μV	microvolts	σ	sigma: one standard deviation
μV_{rms}	microvolts root-mean-square	V	volts

2.1 Absolute Maximum Ratings

Table 2-2. Absolute Maximum Ratings

Symbol	Description	Min	Typ	Max	Units	Notes
T _{STG}	Storage Temperature	-55	25	+100	°C	Higher storage temperatures will reduce data retention time. Recommended storage temperature is +25°C ± 25°C. Extended duration storage temperatures above 65°C will degrade reliability.
T _A	Ambient Temperature with Power Applied	-40	–	+85	°C	
V _{dd}	Supply Voltage on V _{dd} Relative to V _{ss}	-0.5	–	+6.0	V	
V _{IO}	DC Input Voltage	V _{ss} - 0.5	–	V _{dd} + 0.5	V	
V _{IOZ}	DC Voltage Applied to Tri-state	V _{ss} - 0.5	–	V _{dd} + 0.5	V	
I _{MIO}	Maximum Current into any Port Pin	-25	–	+50	mA	
ESD	Electro Static Discharge Voltage	2000	–	–	V	Human Body Model ESD.
LU	Latch-up Current	–	–	200	mA	

2.2 Operating Temperature

Table 2-3. Operating Temperature

Symbol	Description	Min	Typ	Max	Units	Notes
T _A	Ambient Temperature	-40	–	+85	°C	
T _J	Junction Temperature	-40	–	+100	°C	The temperature rise from ambient to junction is package specific. See “Thermal Impedances” on page 27 . The user must limit the power consumption to comply with this requirement.

2.3 DC Electrical Characteristics

2.3.1 DC Chip-Level Specifications

The following table lists guaranteed maximum and minimum specifications for the voltage and temperature ranges: 4.75V to 5.25V and -40°C ≤ T_A ≤ 85°C, 3.0V to 3.6V and -40°C ≤ T_A ≤ 85°C, or 2.4V to 3.0V and -40°C ≤ T_A ≤ 85°C, respectively. Typical parameters apply to 5V, 3.3V, or 2.7V at 25°C and are for design guidance only.

Table 2-4. DC Chip-Level Specifications

Symbol	Description	Min	Typ	Max	Units	Notes
V _{dd}	Supply Voltage	2.40	–	5.25	V	See table titled “DC POR and LVD Specifications” on page 14 .
I _{DD12}	Supply Current, IMO = 12 MHz	–	1.5	2.5	mA	Conditions are V _{dd} = 3.0V, T _A = 25°C, CPU = 12 MHz.
I _{DD6}	Supply Current, IMO = 6 MHz	–	1	1.5	mA	Conditions are V _{dd} = 3.0V, T _A = 25°C, CPU = 6 MHz.
I _{SB27}	Sleep (Mode) Current with POR, LVD, Sleep Timer, WDT, and internal slow oscillator active. Mid temperature range.	–	2.6	4.	μA	V _{dd} = 2.55V, 0°C ≤ T _A ≤ 40°C.
I _{SB}	Sleep (Mode) Current with POR, LVD, Sleep Timer, WDT, and internal slow oscillator active.	–	2.8	5	μA	V _{dd} = 3.3V, -40°C ≤ T _A ≤ 85°C.

2.3.2 DC General Purpose IO Specifications

The following tables list guaranteed maximum and minimum specifications for the voltage and temperature ranges: 4.75V to 5.25V and $-40^{\circ}\text{C} \leq T_A \leq 85^{\circ}\text{C}$, 3.0V to 3.6V and $-40^{\circ}\text{C} \leq T_A \leq 85^{\circ}\text{C}$, or 2.4V to 3.0V and $-40^{\circ}\text{C} \leq T_A \leq 85^{\circ}\text{C}$, respectively. Typical parameters apply to 5V, 3.3V, and 2.7V at 25°C and are for design guidance only.

Table 2-5. 5V and 3.3V DC GPIO Specifications

Symbol	Description	Min	Typ	Max	Units	Notes
RPU	Pull-up Resistor	4	5.6	8	k Ω	
VOH1	High Output Voltage Port 0, 2, or 3 Pins	Vdd - 0.2	–	–	V	IOH \leq 10 μA , Vdd \geq 3.0V, maximum of 10 mA source current in all IOs.
VOH2	High Output Voltage Port 0, 2, or 3 Pins	Vdd - 0.9	–	–	V	IOH = 1 mA, Vdd > 3.0V, maximum of 20 mA source current in all IOs.
VOH3	High Output Voltage Port 1 Pins with LDO Regulator Disabled	Vdd - 0.2	–	–	V	IOH < 10 μA , Vdd > 3.0V, maximum of 10 mA source current in all IOs.
VOH4	High Output Voltage Port 1 Pins with LDO Regulator Disabled	Vdd - 0.9	–	–	V	IOH = 5 mA, Vdd > 3.0V, maximum of 20 mA source current in all IOs.
VOH5	High Output Voltage Port 1 Pins with LDO Regulator Enabled	2.75	3.0	3.2	V	IOH < 10 μA , Vdd > 3.1V, maximum of 4 IOs all sourcing 5 mA.
VOH6	High Output Voltage Port 1 Pins with LDO Regulator Enabled	2.2	–	–	V	IOH = 5 mA, Vdd > 3.1V, maximum of 20 mA source current in all IOs.
VOL	Low Output Voltage	–	–	0.75	V	IOL = 20 mA, Vdd > 3V, maximum of 60 mA sink current on even port pins (for example, P0[2] and P1[4]) and 60 mA sink current on odd port pins (for example, P0[3] and P1[5]).
VIL	Input Low Voltage	–	–	0.8	V	Vdd = 3.0 to 5.25.
VIH	Input High Voltage	2.0	–	–	V	Vdd = 3.0 to 5.25.
VH	Input Hysteresis Voltage	–	140	–	mV	
IIL	Input Leakage (Absolute Value)	–	1	–	nA	Gross tested to 1 μA .
CIN	Capacitive Load on Pins as Input	0.5	1.7	5	pF	Package and pin dependent. Temp = 25°C.
COU	Capacitive Load on Pins as Output	0.5	1.7	5	pF	Package and pin dependent. Temp = 25°C.

Table 2-6. 2.7V DC GPIO Specifications

Symbol	Description	Min	Typ	Max	Units	Notes
RPU	Pull-up Resistor	4	5.6	8	k Ω	
VOH1	High Output Voltage Port 0, 2, or 3 Pins	Vdd - 0.2	–	–	V	IOH < 10 μA , maximum of 10 mA source current in all IOs.
VOH2	High Output Voltage Port 0, 2, or 3 Pins	Vdd - 0.5	–	–	V	IOH = 0.2 mA, maximum of 10 mA source current in all IOs.
VOH3	High Output Voltage Port 1 Pins with LDO Regulator Disabled	Vdd - 0.2	–	–	V	IOH < 10 μA , maximum of 10 mA source current in all IOs.
VOH4	High Output Voltage Port 1 Pins with LDO Regulator Disabled	Vdd - 0.5	–	–	V	IOH = 2 mA, maximum of 10 mA source current in all IOs.
VOL	Low Output Voltage	–	–	0.75	V	IOL = 10 mA, maximum of 30 mA sink current on even port pins (for example, P0[2] and P1[4]) and 30 mA sink current on odd port pins (for example, P0[3] and P1[5]).
VIL	Input Low Voltage	–	–	0.8	V	Vdd = 2.4 to 3.0V.
VIH	Input High Voltage	2.0	–	–	V	Vdd = 2.4 to 3.0V.
VH	Input Hysteresis Voltage	–	60	–	mV	
IIL	Input Leakage (Absolute Value)	–	1	–	nA	Gross tested to 1 μA .
CIN	Capacitive Load on Pins as Input	0.5	1.7	5	pF	Package and pin dependent. Temp = 25°C.
COU	Capacitive Load on Pins as Output	0.5	1.7	5	pF	Package and pin dependent. Temp = 25°C.

2.3.3 DC Analog Mux Bus Specifications

The following table lists guaranteed maximum and minimum specifications for the voltage and temperature ranges: 4.75V to 5.25V and $-40^{\circ}\text{C} \leq T_A \leq 85^{\circ}\text{C}$, 3.0V to 3.6V and $-40^{\circ}\text{C} \leq T_A \leq 85^{\circ}\text{C}$, or 2.4V to 3.0V and $-40^{\circ}\text{C} \leq T_A \leq 85^{\circ}\text{C}$, respectively. Typical parameters apply to 5V, 3.3V, or 2.7V at 25°C and are for design guidance only.

Table 2-7. DC Analog Mux Bus Specifications

Symbol	Description	Min	Typ	Max	Units	Notes
R _{SW}	Switch Resistance to Common Analog Bus	–	–	400 800	Ω Ω	V _{DD} ≥ 2.7V 2.4V ≤ V _{DD} ≤ 2.7V

2.3.4 DC POR and LVD Specifications

The following table lists guaranteed maximum and minimum specifications for the voltage and temperature ranges: 4.75V to 5.25V and $-40^{\circ}\text{C} \leq T_A \leq 85^{\circ}\text{C}$, 3.0V to 3.6V and $-40^{\circ}\text{C} \leq T_A \leq 85^{\circ}\text{C}$, or 2.4V to 3.0V and $-40^{\circ}\text{C} \leq T_A \leq 85^{\circ}\text{C}$, respectively. Typical parameters apply to 5V, 3.3V, or 2.7V at 25°C and are for design guidance only.

Table 2-8. DC POR and LVD Specifications

Symbol	Description	Min	Typ	Max	Units	Notes
V _{PPOR0}	V _{DD} Value for PPOR Trip PORLEV[1:0] = 00b		2.36	2.40	V	V _{DD} must be greater than or equal to 2.5V during startup, reset from the XRES pin, or reset from Watchdog.
V _{PPOR1}	PORLEV[1:0] = 01b	–	2.60	2.65	V	
V _{PPOR2}	PORLEV[1:0] = 10b		2.82	2.95	V	
V _{LVD0}	V _{DD} Value for LVD Trip VM[2:0] = 000b	2.39	2.45	2.51 ^a	V	
V _{LVD1}	VM[2:0] = 001b	2.54	2.71	2.78 ^b	V	
V _{LVD2}	VM[2:0] = 010b	2.75	2.92	2.99 ^c	V	
V _{LVD3}	VM[2:0] = 011b	2.85	3.02	3.09	V	
V _{LVD4}	VM[2:0] = 100b	2.96	3.13	3.20	V	
V _{LVD5}	VM[2:0] = 101b	–	–	–	V	
V _{LVD6}	VM[2:0] = 110b	–	–	–	V	
V _{LVD7}	VM[2:0] = 111b	4.52	4.73	4.83	V	

- Always greater than 50 mV above V_{PPOR} (PORLEV = 00) for falling supply.
- Always greater than 50 mV above V_{PPOR} (PORLEV = 01) for falling supply.
- Always greater than 50 mV above V_{PPOR} (PORLEV = 10) for falling supply.

2.3.5 DC Programming Specifications

The following table lists guaranteed maximum and minimum specifications for the voltage and temperature ranges: 4.75V to 5.25V and $-40^{\circ}\text{C} \leq T_A \leq 85^{\circ}\text{C}$, 3.0V to 3.6V and $-40^{\circ}\text{C} \leq T_A \leq 85^{\circ}\text{C}$, or 2.4V to 3.0V and $-40^{\circ}\text{C} \leq T_A \leq 85^{\circ}\text{C}$, respectively. Typical parameters apply to 5V, 3.3V, or 2.7V at 25°C and are for design guidance only.

Table 2-9. DC Programming Specifications

Symbol	Description	Min	Typ	Max	Units	Notes
VddIWRITE	Supply Voltage for Flash Write Operations	2.70	–	–	V	
IDDP	Supply Current During Programming or Verify	–	5	25	mA	
VILP	Input Low Voltage During Programming or Verify	–	–	0.8	V	
VIHP	Input High Voltage During Programming or Verify	2.2	–	–	V	
IILP	Input Current when Applying Vilp to P1[0] or P1[1] During Programming or Verify	–	–	0.2	mA	Driving internal pull-down resistor.
IIHP	Input Current when Applying Vihp to P1[0] or P1[1] During Programming or Verify	–	–	1.5	mA	Driving internal pull-down resistor.
VOLV	Output Low Voltage During Programming or Verify	–	–	Vss + 0.75	V	
VOHV	Output High Voltage During Programming or Verify	Vdd - 1.0	–	Vdd	V	
FlashENPB	Flash Endurance (per block)	50,000	–	–	–	Erase/write cycles per block.
FlashENT	Flash Endurance (total) ^a	1,800,000	–	–	–	Erase/write cycles.
FlashDR	Flash Data Retention	10	–	–	Years	

- a. A maximum of 36 x 50,000 block endurance cycles is allowed. This may be balanced between operations on 36x1 blocks of 50,000 maximum cycles each, 36x2 blocks of 25,000 maximum cycles each, or 36x4 blocks of 12,500 maximum cycles each (to limit the total number of cycles to 36x50,000 and that no single block ever sees more than 50,000 cycles).

2.4 AC Electrical Characteristics

2.4.1 AC Chip-Level Specifications

The following tables list guaranteed maximum and minimum specifications for the voltage and temperature ranges: 4.75V to 5.25V and $-40^{\circ}\text{C} \leq T_A \leq 85^{\circ}\text{C}$, 3.0V to 3.6V and $-40^{\circ}\text{C} \leq T_A \leq 85^{\circ}\text{C}$, or 2.4V to 3.0V and $-40^{\circ}\text{C} \leq T_A \leq 85^{\circ}\text{C}$, respectively. Typical parameters apply to 5V, 3.3V, or 2.7V at 25°C and are for design guidance only.

Table 2-10. 5V and 3.3V AC Chip-Level Specifications

Symbol	Description	Min	Typ	Max	Units	Notes
F _{CPU1}	CPU Frequency (3.3V Nominal)	0.75	–	12.6	MHz	12 MHz only for SLIMO Mode = 0.
F _{32K1}	Internal Low Speed Oscillator Frequency	15	32	64	kHz	
F _{IMO12}	Internal Main Oscillator Stability for 12 MHz (Commercial Temperature) ^a	11.4	12	12.6	MHz	Trimmed for 3.3V operation using factory trim values. See Figure 2-1b, SLIMO Mode = 0.
F _{IMO6}	Internal Main Oscillator Stability for 6 MHz (Commercial Temperature)	5.70	6.0	6.30	MHz	Trimmed for 3.3V operation using factory trim values. See Figure 2-1b, SLIMO Mode = 1.
DC _{IMO}	Duty Cycle of IMO	40	50	60	%	
T _{RAMP}	Supply Ramp Time	0	–	–	μs	

a. 0 to 70 °C ambient, V_{dd} = 3.3 V.

Table 2-11. 2.7V AC Chip-Level Specifications

Symbol	Description	Min	Typ	Max	Units	Notes
F _{CPU1}	CPU Frequency (2.7V Nominal)	0.75	–	3.25	MHz	
F _{32K1}	Internal Low Speed Oscillator Frequency	8	32	96	kHz	
F _{IMO12}	Internal Main Oscillator Stability for 12 MHz (Commercial Temperature) ^a	11.0	12	12.9	MHz	Trimmed for 2.7V operation using factory trim values. See Figure 2-1b, SLIMO Mode = 0.
F _{IMO6}	Internal Main Oscillator Stability for 6 MHz (Commercial Temperature)	5.60	6.0	6.40	MHz	Trimmed for 2.7V operation using factory trim values. See Figure 2-1b, SLIMO Mode = 1.
DC _{IMO}	Duty Cycle of IMO	40	50	60	%	
T _{RAMP}	Supply Ramp Time	0	–	–	μs	

a. 0 to 70 °C ambient, V_{dd} = 3.3 V.

2.4.2 AC General Purpose IO Specifications

The following tables list guaranteed maximum and minimum specifications for the voltage and temperature ranges: 4.75V to 5.25V and $-40^{\circ}\text{C} \leq T_A \leq 85^{\circ}\text{C}$, 3.0V to 3.6V and $-40^{\circ}\text{C} \leq T_A \leq 85^{\circ}\text{C}$, or 2.4V to 3.0V and $-40^{\circ}\text{C} \leq T_A \leq 85^{\circ}\text{C}$, respectively. Typical parameters apply to 5V, 3.3V, or 2.7V at 25°C and are for design guidance only.

Table 2-12. 5V and 3.3V AC GPIO Specifications

Symbol	Description	Min	Typ	Max	Units	Notes
F _{GPIO}	GPIO Operating Frequency	0	–	6	MHz	Normal Strong Mode, Port 1.
T _{Rise023}	Rise Time, Strong Mode, Cloud = 50 pF Ports 0, 2, 3	15	–	80	ns	V _{dd} = 3.0 to 3.6V and 4.75V to 5.25V, 10% - 90%
T _{Rise1}	Rise Time, Strong Mode, Cloud = 50 pF Port 1	10	–	50	ns	V _{dd} = 3.0 to 3.6V, 10% - 90%
T _{Fall}	Fall Time, Strong Mode, Cloud = 50 pF All Ports	10	–	50	ns	V _{dd} = 3.0 to 3.6V and 4.75V to 5.25V, 10% - 90%

Table 2-13. 2.7V AC GPIO Specifications

Symbol	Description	Min	Typ	Max	Units	Notes
F _{GPIO}	GPIO Operating Frequency	0	–	1.5	MHz	Normal Strong Mode, Port 1.
T _{Rise023}	Rise Time, Strong Mode, Cloud = 50 pF Ports 0, 2, 3	15	–	100	ns	V _{dd} = 2.4 to 3.0V, 10% - 90%
T _{Rise1}	Rise Time, Strong Mode, Cloud = 50 pF Port 1	10	–	70	ns	V _{dd} = 2.4 to 3.0V, 10% - 90%
T _{Fall}	Fall Time, Strong Mode, Cloud = 50 pF All Ports	10	–	70	ns	V _{dd} = 2.4 to 3.0V, 10% - 90%

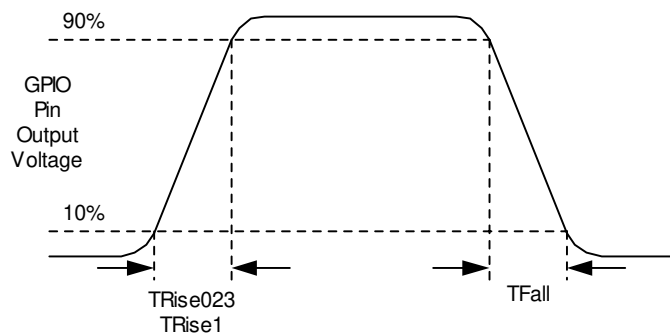


Figure 2-2. GPIO Timing Diagram

2.4.3 AC Comparator Amplifier Specifications

The following table lists guaranteed maximum and minimum specifications for the voltage and temperature ranges: 4.75V to 5.25V and $-40^{\circ}\text{C} \leq T_A \leq 85^{\circ}\text{C}$, 3.0V to 3.6V and $-40^{\circ}\text{C} \leq T_A \leq 85^{\circ}\text{C}$, or 2.4V to 3.0V and $-40^{\circ}\text{C} \leq T_A \leq 85^{\circ}\text{C}$, respectively. Typical parameters apply to 5V, 3.3V, or 2.7V at 25°C and are for design guidance only.

Table 2-14. AC Operational Amplifier Specifications

Symbol	Description	Min	Typ	Max	Units	Notes
T _{COMP}	Comparator Response Time, 50 mV Overdrive			100 200	ns ns	V _{dd} ≥ 3.0V. 2.4V < V _{cc} < 3.0V.

2.4.4 AC Analog Mux Bus Specifications

The following table lists guaranteed maximum and minimum specifications for the voltage and temperature ranges: 4.75V to 5.25V and $-40^{\circ}\text{C} \leq T_A \leq 85^{\circ}\text{C}$, 3.0V to 3.6V and $-40^{\circ}\text{C} \leq T_A \leq 85^{\circ}\text{C}$, or 2.4V to 3.0V and $-40^{\circ}\text{C} \leq T_A \leq 85^{\circ}\text{C}$, respectively. Typical parameters apply to 5V, 3.3V, or 2.7V at 25°C and are for design guidance only.

Table 2-15. AC Analog Mux Bus Specifications

Symbol	Description	Min	Typ	Max	Units	Notes
F _{SW}	Switch Rate	–	–	3.17	MHz	

2.4.5 AC External Clock Specifications

The following tables list guaranteed maximum and minimum specifications for the voltage and temperature ranges: 4.75V to 5.25V and $-40^{\circ}\text{C} \leq T_A \leq 85^{\circ}\text{C}$, 3.0V to 3.6V and $-40^{\circ}\text{C} \leq T_A \leq 85^{\circ}\text{C}$, or 2.4V to 3.0V and $-40^{\circ}\text{C} \leq T_A \leq 85^{\circ}\text{C}$, respectively. Typical parameters apply to 5V, 3.3V, or 2.7V at 25°C and are for design guidance only.

Table 2-16. 5V AC External Clock Specifications

Symbol	Description	Min	Typ	Max	Units	Notes
FOSCEXT	Frequency	0.750	–	12.6	MHz	
–	High Period	38	–	5300	ns	
–	Low Period	38	–	–	ns	
–	Power Up IMO to Switch	150	–	–	μs	

Table 2-17. 3.3V AC External Clock Specifications

Symbol	Description	Min	Typ	Max	Units	Notes
FOSCEXT	Frequency with CPU Clock divide by 1	0.750	–	12.6	MHz	Maximum CPU frequency is 12 MHz at 3.3V. With the CPU clock divider set to 1, the external clock must adhere to the maximum frequency and duty cycle requirements.
–	High Period with CPU Clock divide by 1	41.7	–	5300	ns	
–	Low Period with CPU Clock divide by 1	41.7	–	–	ns	
–	Power Up IMO to Switch	150	–	–	μs	

Table 2-18. 2.7V AC External Clock Specifications

Symbol	Description	Min	Typ	Max	Units	Notes
FOSCEXT	Frequency with CPU Clock divide by 1	0.750	–	3.08	MHz	Maximum CPU frequency is 3 MHz at 2.7V. With the CPU clock divider set to 1, the external clock must adhere to the maximum frequency and duty cycle requirements.
FOSCEXT	Frequency with CPU Clock divide by 2 or greater	0.15	–	6.35	MHz	If the frequency of the external clock is greater than 3 MHz, the CPU clock divider must be set to 2 or greater. In this case, the CPU clock divider will ensure that the fifty percent duty cycle requirement is met.
–	High Period with CPU Clock divide by 1	160	–	5300	ns	
–	Low Period with CPU Clock divide by 1	160	–	–	ns	
–	Power Up IMO to Switch	150	–	–	μs	

2.4.6 AC Programming Specifications

The following table lists guaranteed maximum and minimum specifications for the voltage and temperature ranges: 4.75V to 5.25V and $-40^{\circ}\text{C} \leq T_A \leq 85^{\circ}\text{C}$, 3.0V to 3.6V and $-40^{\circ}\text{C} \leq T_A \leq 85^{\circ}\text{C}$, or 2.4V to 3.0V and $-40^{\circ}\text{C} \leq T_A \leq 85^{\circ}\text{C}$, respectively. Typical parameters apply to 5V, 3.3V, or 2.7V at 25°C and are for design guidance only.

Table 2-19. AC Programming Specifications

Symbol	Description	Min	Typ	Max	Units	Notes
T _{RSCLK}	Rise Time of SCLK	1	–	20	ns	
T _{FSCLK}	Fall Time of SCLK	1	–	20	ns	
T _{SSCLK}	Data Set up Time to Falling Edge of SCLK	40	–	–	ns	
T _{HSCLK}	Data Hold Time from Falling Edge of SCLK	40	–	–	ns	
F _{SCLK}	Frequency of SCLK	0	–	8	MHz	
T _{ERASEB}	Flash Erase Time (Block)	–	15	–	ms	
T _{WRITE}	Flash Block Write Time	–	30	–	ms	
T _{DCLK}	Data Out Delay from Falling Edge of SCLK	–	–	45	ns	3.6 < V _{dd}
T _{DCLK3}	Data Out Delay from Falling Edge of SCLK	–	–	50	ns	3.0 ≤ V _{dd} ≤ 3.6
T _{DCLK2}	Data Out Delay from Falling Edge of SCLK	–	–	70	ns	2.4 ≤ V _{dd} ≤ 3.0

2.4.7 AC SPI Specifications

The following tables list guaranteed maximum and minimum specifications for the voltage and temperature ranges: 4.75V to 5.25V and $-40^{\circ}\text{C} \leq T_A \leq 85^{\circ}\text{C}$, 3.0V to 3.6V and $-40^{\circ}\text{C} \leq T_A \leq 85^{\circ}\text{C}$, or 2.4V to 3.0V and $-40^{\circ}\text{C} \leq T_A \leq 85^{\circ}\text{C}$, respectively. Typical parameters apply to 5V, 3.3V, or 2.7V at 25°C and are for design guidance only.

Table 2-20. 5V and 3.3V AC SPI Specifications

Symbol	Description	Min	Typ	Max	Units	Notes
F _{SPIM}	Maximum Input Clock Frequency Selection, Master	–	–	6.3	MHz	Output clock frequency is half of input clock rate.
F _{SPIS}	Maximum Input Clock Frequency Selection, Slave	–	–	2.05	MHz	
T _{SS}	Width of SS_ Negated Between Transmissions	50	–	–	ns	

Table 2-21. 2.7V AC SPI Specifications

Symbol	Description	Min	Typ	Max	Units	Notes
F _{SPIM}	Maximum Input Clock Frequency Selection, Master	–	–	3.15	MHz	Output clock frequency is half of input clock rate.
F _{SPIS}	Maximum Input Clock Frequency Selection, Slave	–	–	1.025	MHz	
T _{SS}	Width of SS_ Negated Between Transmissions	50	–	–	ns	

2.4.8 AC I²C Specifications

The following tables list guaranteed maximum and minimum specifications for the voltage and temperature ranges: 4.75V to 5.25V and $-40^{\circ}\text{C} \leq T_A \leq 85^{\circ}\text{C}$, 3.0V to 3.6V and $-40^{\circ}\text{C} \leq T_A \leq 85^{\circ}\text{C}$, or 2.4V to 3.0V and $-40^{\circ}\text{C} \leq T_A \leq 85^{\circ}\text{C}$, respectively. Typical parameters apply to 5V, 3.3V, or 2.7V at 25°C and are for design guidance only.

Table 2-22. AC Characteristics of the I²C SDA and SCL Pins for V_{dd} ≥ 3.0V

Symbol	Description	Standard Mode		Fast Mode		Units	Notes
		Min	Max	Min	Max		
F _{SCL I2C}	SCL Clock Frequency	0	100	0	400	kHz	
T _{HDSTA I2C}	Hold Time (repeated) START Condition. After this period, the first clock pulse is generated.	4.0	–	0.6	–	μs	
T _{LOW I2C}	LOW Period of the SCL Clock	4.7	–	1.3	–	μs	
T _{HIGH I2C}	HIGH Period of the SCL Clock	4.0	–	0.6	–	μs	
T _{SUSTA I2C}	Set-up Time for a Repeated START Condition	4.7	–	0.6	–	μs	
T _{HDDAT I2C}	Data Hold Time	0	–	0	–	μs	
T _{SUDAT I2C}	Data Set-up Time	250	–	100 ^a	–	ns	
T _{SUSTO I2C}	Set-up Time for STOP Condition	4.0	–	0.6	–	μs	
T _{BUFI2C}	Bus Free Time Between a STOP and START Condition	4.7	–	1.3	–	μs	
T _{SP I2C}	Pulse Width of spikes are suppressed by the input filter.	–	–	0	50	ns	

a. A Fast-Mode I²C-bus device can be used in a Standard-Mode I²C-bus system, but the requirement $t_{\text{SU, DAT}} \geq 250$ ns must then be met. This will automatically be the case if the device does not stretch the LOW period of the SCL signal. If such device does stretch the LOW period of the SCL signal, it must output the next data bit to the SDA line $t_{\text{rmax}} + t_{\text{SU, DAT}} = 1000 + 250 = 1250$ ns (according to the Standard-Mode I²C-bus specification) before the SCL line is released.

Table 2-23. 2.7V AC Characteristics of the I²C SDA and SCL Pins (Fast Mode not Supported)

Symbol	Description	Standard Mode		Fast Mode		Units	Notes
		Min	Max	Min	Max		
F _{SCL I2C}	SCL Clock Frequency	0	100	–	–	kHz	
T _{HDSTA I2C}	Hold Time (repeated) START Condition. After this period, the first clock pulse is generated.	4.0	–	–	–	μs	
T _{LOW I2C}	LOW Period of the SCL Clock	4.7	–	–	–	μs	
T _{HIGH I2C}	HIGH Period of the SCL Clock	4.0	–	–	–	μs	
T _{SUSTA I2C}	Set-up Time for a Repeated START Condition	4.7	–	–	–	μs	
T _{HDDAT I2C}	Data Hold Time	0	–	–	–	μs	
T _{SUDAT I2C}	Data Set-up Time	250	–	–	–	ns	
T _{SUSTO I2C}	Set-up Time for STOP Condition	4.0	–	–	–	μs	
T _{BUFI2C}	Bus Free Time Between a STOP and START Condition	4.7	–	–	–	μs	
T _{SP I2C}	Pulse Width of spikes are suppressed by the input filter.	–	–	–	–	ns	

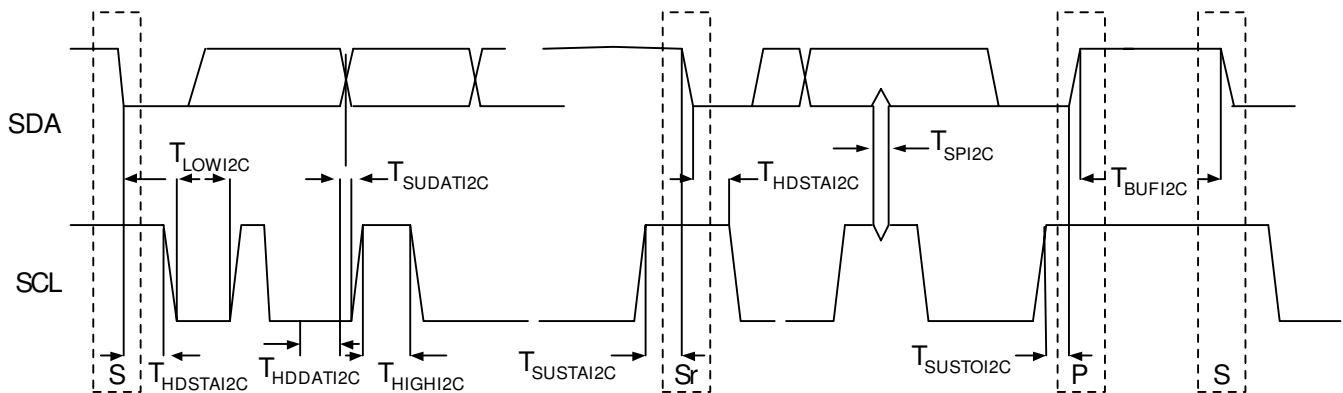


Figure 2-3. Definition for Timing for Fast/Standard Mode on the I²C Bus

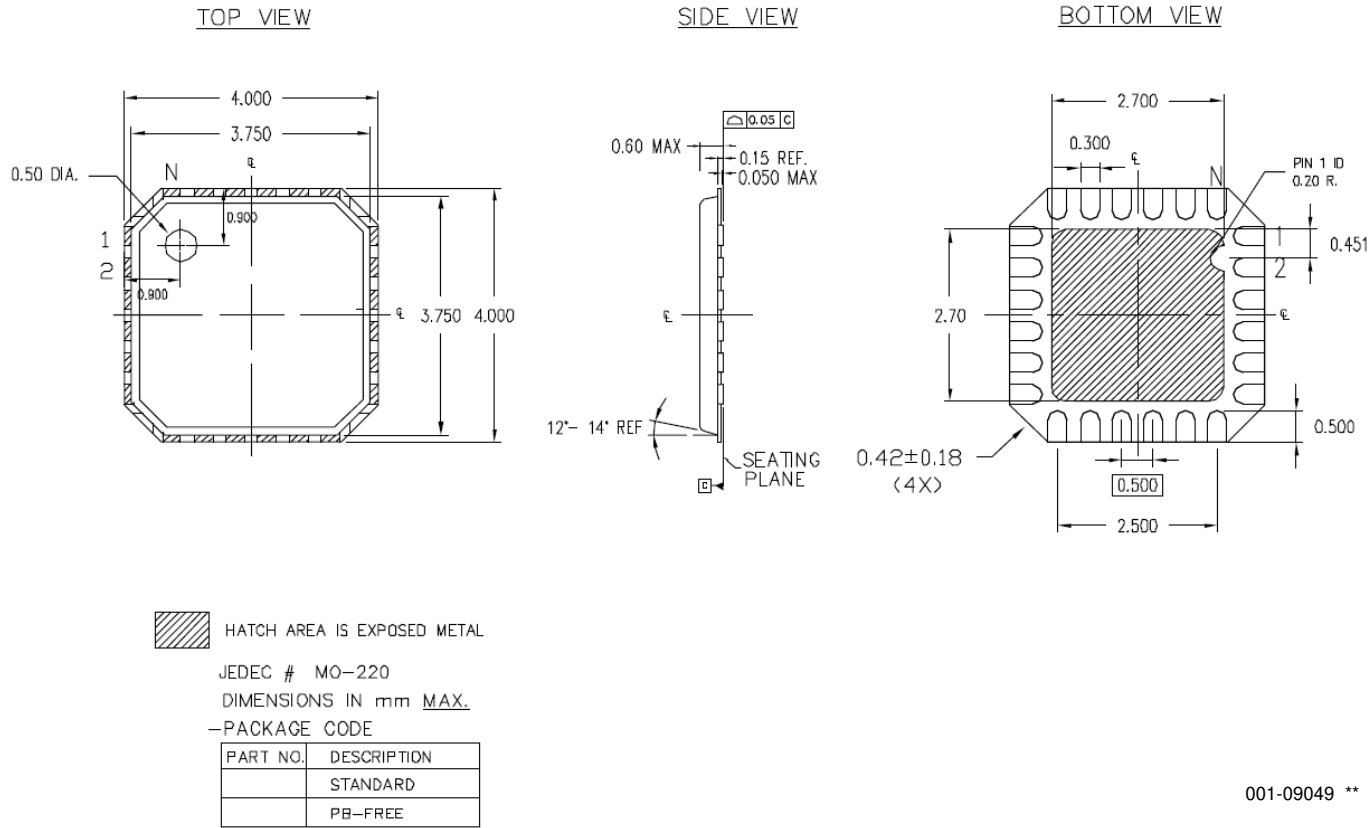
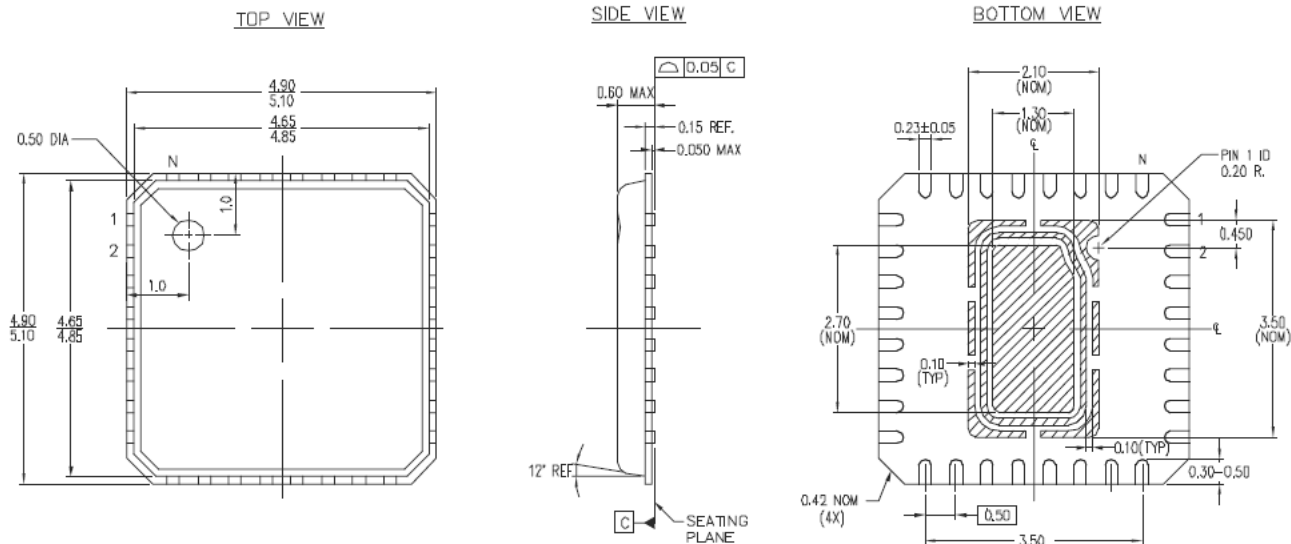


Figure 3-2. 24-Lead (4x4 x 0.6 mm) QFN -- Preliminary



NOTES :

HATCH AREA IS EXPOSED METAL

JEDEC # MO-220

DIMENSIONS IN mm MIN. MAX.

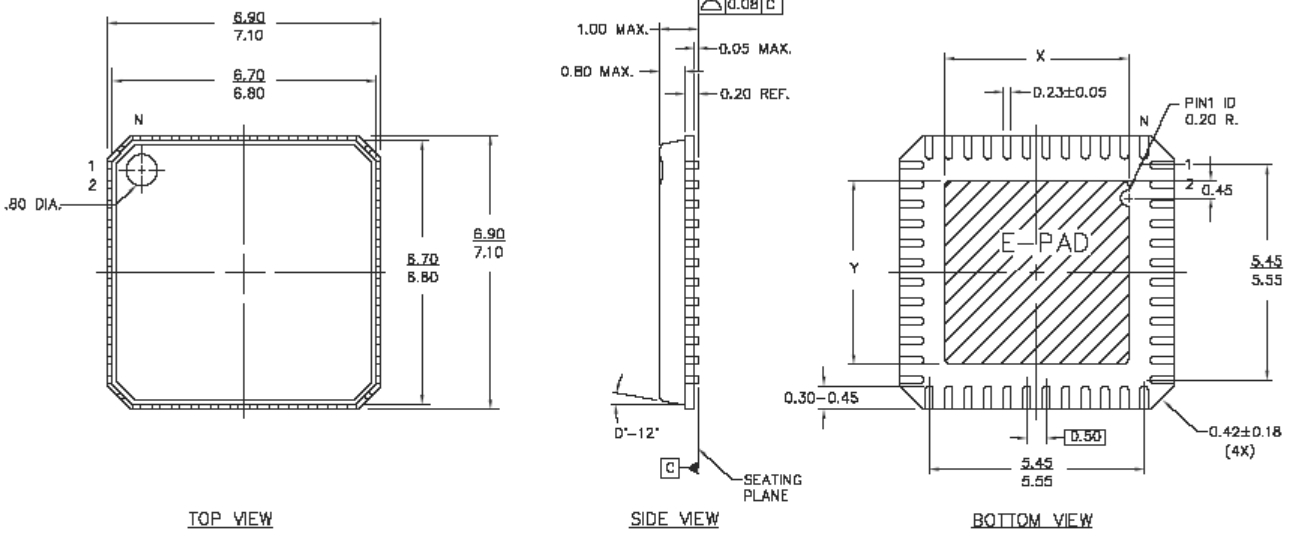
UNIT PACKAGE WEIGHT : 0.0354 Grams

-PACKAGE CODE

PART NO.	DESCRIPTION
LJ32B	STANDARD
LK32B	PB-FREE

001-06392 **

Figure 3-3. 32-Lead (5x5 mm 0.60 MAX) QFN



DIMENSIONS IN mm MIN. MAX.
 REFERENCE JEDEC MO-220
 PKG. WEIGHT 0.13gms

E-PAD SIZE (X, Y MAX.)	PADLE SIZE
5.1 X 5.1	5.3 X 5.3
3.8 X 3.8	4.0 X 4.0

PART #	
LF48A	STANDARD PKG.
LY48A	LEAD FREE PKG.

51-85152 *B

Figure 3-4. 48-Lead (7x7 mm) QFN

Important Note For information on the preferred dimensions for mounting QFN packages, see the following Application Note at http://www.amkor.com/products/notes_papers/MLFAppNote.pdf.

3.2 Thermal Impedances

Table 3-1. Thermal Impedances per Package

Package	Typical θ_{JA} *
16 QFN**	46 °C/W
24 QFN**	40 °C/W
32 QFN**	27 °C/W
48 QFN**	28 °C/W

$$* T_J = T_A + \text{Power} \times \theta_{JA}$$

** To achieve the thermal impedance specified for the ** package, the center thermal pad should be soldered to the PCB ground plane.

3.3 Solder Reflow Peak Temperature

Following is the minimum solder reflow peak temperature to achieve good solderability.

Table 3-2. Solder Reflow Peak Temperature

Package	Minimum Peak Temperature*	Maximum Peak Temperature
16 QFN	240°C	260°C
24 QFN	240°C	260°C
32 QFN	240°C	260°C
48 QFN	240°C	260°C

*Higher temperatures may be required based on the solder melting point. Typical temperatures for solder are $220 \pm 5^\circ\text{C}$ with Sn-Pb or $245 \pm 5^\circ\text{C}$ with Sn-Ag-Cu paste. Refer to the solder manufacturer specifications.

4. Development Tool Selection



This chapter presents the development tools available for all current PSoC device families including the CY8C20x34 family.

4.1 Software

4.1.1 PSoC Designer™

At the core of the PSoC development software suite is PSoC Designer. Utilized by thousands of PSoC developers, this robust software has been facilitating PSoC designs for half a decade. PSoC Designer is available free of charge at <http://www.cypress.com> under DESIGN RESOURCES >> Software and Drivers.

4.1.2 PSoC Express™

As the newest addition to the PSoC development software suite, PSoC Express is the first visual embedded system design tool that allows a user to create an entire PSoC project and generate a schematic, BOM, and data sheet without writing a single line of code. Users work directly with application objects such as LEDs, switches, sensors, and fans. PSoC Express is available free of charge at <http://www.cypress.com/psocexpress>.

4.1.3 PSoC Programmer

Flexible enough to be used on the bench in development, yet suitable for factory programming, PSoC Programmer works either as a standalone programming application or it can operate directly from PSoC Designer or PSoC Express. PSoC Programmer software is compatible with both PSoC ICE-Cube In-Circuit Emulator and PSoC MiniProg. PSoC programmer is available free of charge at <http://www.cypress.com/psocprogrammer>.

4.1.4 CY3202-C iMAGEcraft C Compiler

CY3202 is the optional upgrade to PSoC Designer that enables the iMAGEcraft C compiler. It can be purchased from the Cypress Online Store. At <http://www.cypress.com>, click the Online Store shopping cart icon at the bottom of the web page, and click *PSoC (Programmable System-on-Chip)* to view a current list of available items..

4.2 Development Kits

All development kits can be purchased from the Cypress Online Store.

4.2.1 CY3215-DK Basic Development Kit

The CY3215-DK is for prototyping and development with PSoC Designer. This kit supports in-circuit emulation and the software interface allows users to run, halt, and single step the processor and view the content of specific memory locations. Advance emulation features also supported through PSoC Designer. The kit includes:

- PSoC Designer Software CD
- ICE-Cube In-Circuit Emulator
- ICE Flex-Pod for CY8C29x66 Family
- Cat-5 Adapter
- Mini-Eval Programming Board
- 110 ~ 240V Power Supply, Euro-Plug Adapter
- iMAGEcraft C Compiler (Registration Required)
- ISSP Cable
- USB 2.0 Cable and Blue Cat-5 Cable
- 2 CY8C29466-24PXI 28-PDIP Chip Samples

4.2.2 CY3210-ExpressDK PSoC Express Development Kit

The CY3210-ExpressDK is for advanced prototyping and development with PSoC Express (may be used with ICE-Cube In-Circuit Emulator). It provides access to I²C buses, voltage reference, switches, upgradeable modules and more. The kit includes:

- PSoC Express Software CD
- Express Development Board
- 4 Fan Modules
- 2 Proto Modules
- MiniProg In-System Serial Programmer
- MiniEval PCB Evaluation Board
- Jumper Wire Kit
- USB 2.0 Cable
- Serial Cable (DB9)
- 110 ~ 240V Power Supply, Euro-Plug Adapter
- 2 CY8C24423A-24PXI 28-PDIP Chip Samples
- 2 CY8C27443-24PXI 28-PDIP Chip Samples
- 2 CY8C29466-24PXI 28-PDIP Chip Samples

4.3 Evaluation Tools

All evaluation tools can be purchased from the Cypress Online Store.

4.3.1 CY3210-MiniProg1

The CY3210-MiniProg1 kit allows a user to program PSoC devices via the MiniProg1 programming unit. The MiniProg is a small, compact prototyping programmer that connects to the PC via a provided USB 2.0 cable. The kit includes:

- MiniProg Programming Unit
- MiniEval Socket Programming and Evaluation Board
- 28-Pin CY8C29466-24PXI PDIP PSoC Device Sample
- 28-Pin CY8C27443-24PXI PDIP PSoC Device Sample
- PSoC Designer Software CD
- Getting Started Guide
- USB 2.0 Cable

4.3.2 CY3210-PSoCEval1

The CY3210-PSoCEval1 kit features an evaluation board and the MiniProg1 programming unit. The evaluation board includes an LCD module, potentiometer, LEDs, and plenty of breadboarding space to meet all of your evaluation needs. The kit includes:

- Evaluation Board with LCD Module
- MiniProg Programming Unit
- 28-Pin CY8C29466-24PXI PDIP PSoC Device Sample (2)
- PSoC Designer Software CD
- Getting Started Guide
- USB 2.0 Cable

4.3.3 CY3214-PSoCEvalUSB

The CY3214-PSoCEvalUSB evaluation kit features a development board for the CY8C24794-24LFXI PSoC device. Special features of the board include both USB and capacitive sensing development and debugging support. This evaluation board also includes an LCD module, potentiometer, LEDs, an enunciator and plenty of bread boarding space to meet all of your evaluation needs. The kit includes:

- PSoCEvalUSB Board
- LCD Module
- MiniProg Programming Unit
- Mini USB Cable
- PSoC Designer and Example Projects CD
- Getting Started Guide
- Wire Pack

4.4 Device Programmers

All device programmers can be purchased from the Cypress Online Store.

4.4.1 CY3216 Modular Programmer

The CY3216 Modular Programmer kit features a modular programmer and the MiniProg1 programming unit. The modular programmer includes three programming module cards and supports multiple Cypress products. The kit includes:

- Modular Programmer Base
- 3 Programming Module Cards
- MiniProg Programming Unit
- PSoC Designer Software CD
- Getting Started Guide
- USB 2.0 Cable

4.4.2 CY3207ISSP In-System Serial Programmer (ISSP)

The CY3207ISSP is a production programmer. It includes protection circuitry and an industrial case that is more robust than the MiniProg in a production-programming environment.

Note CY3207ISSP needs special software and is not compatible with PSoC Programmer. The kit includes:

- CY3207 Programmer Unit
- PSoC ISSP Software CD
- 110 ~ 240V Power Supply, Euro-Plug Adapter
- USB 2.0 Cable

4.5 Accessories (Emulation and Programming)

Table 4-1. Emulation and Programming Accessories

Part #	Pin Package	Flex-Pod Kit ^a	Foot Kit ^b	Prototyping Module	Adapter ^c
CY8C20334-12LFXI	24 QFN	CY3250-20334QFN	CY3250-24QFN-FK	CY3210-0X34	AS-24-28-01ML-6
CY8C20434-12LKXI	32 QFN	CY3250-20434QFN	CY3250-32QFN-FK	CY3210-0X34	AS-32-28-03ML-6

- a. Flex-Pod kit includes a practice flex-pod and a practice PCB, in addition to two flex-pods.
- b. Foot kit includes surface mount feet that can be soldered to the target PCB.
- c. Programming adapter converts non-DIP package to DIP footprint. Specific details and ordering information for each of the adapters can be found at <http://www.emulation.com>.

4.6 3rd-Party Tools

Several tools have been specially designed by the following 3rd-party vendors to accompany PSoC devices during development and production. Specific details for each of these tools can be found at <http://www.cypress.com> under DESIGN RESOURCES >> Evaluation Boards.

4.7 Build a PSoC Emulator into Your Board

For details on how to emulate your circuit before going to volume production using an on-chip debug (OCD) non-production PSoC device, see Application Note “Debugging - Build a PSoC Emulator into Your Board - AN2323” at <http://www.cypress.com/design/AN2323>.

5. Ordering Information



The following table lists the CY8C20234, CY8C20334 and CY8C20434 PSoC device's key package features and ordering codes.

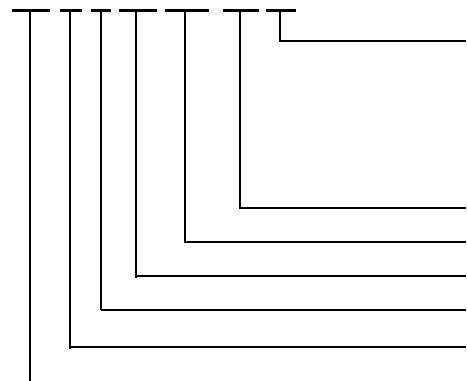
Table 5-1. PSoC Device Key Features and Ordering Information

Package	Ordering Code	Flash (Bytes)	SRAM (Bytes)	Digital Blocks	CapSense Blocks	Digital IO Pins	Analog Inputs ^a	Analog Outputs	XRES Pin
16 Pin (3x3 mm 0.60 MAX) QFN	CY8C20234-12LKXI	8K	512	0	1	13	13 ^a	0	Yes
16 Pin (3x3 mm 0.60 MAX) QFN (Tape and Reel)	CY8C20234-12LKXIT	8K	512	0	1	13	13 ^a	0	Yes
24 Pin (4x4 mm 0.60 MAX) QFN	CY8C20334-12LKXI	8K	512	0	1	20	20 ^a	0	Yes
24 Pin (4x4 mm 0.60 MAX) QFN (Tape and Reel)	CY8C20334-12LKXIT	8K	512	0	1	20	20 ^a	0	Yes
32 Pin (5x5 mm 0.60 MAX) QFN	CY8C20434-12LKXI	8K	512	0	1	28	28 ^a	0	Yes
32 Pin (5x5 mm 0.60 MAX) QFN (Tape and Reel)	CY8C20434-12LKXIT	8K	512	0	1	28	28 ^a	0	Yes
48 Pin OCD QFN	CY8C20000-12LFXI	8K	512	0	1	28	28 ^a	0	Yes

a. Dual-function Digital IO Pins also connect to the common analog mux.

5.1 Ordering Code Definitions

CY 8 C 20 xxx-12xx



Package Type:
 PX = PDIP Pb-Free
 SX = SOIC Pb-Free
 PVX = SSOP Pb-Free
 LFX = QFN Pb-Free
 LKX = QFN Pb-Free
 AX = TQFP Pb-Free

Thermal Rating:
 C = Commercial
 I = Industrial
 E = Extended

Speed: 12 MHz
 Part Number
 Family Code
 Technology Code: C = CMOS
 Marketing Code: 8 = Cypress PSoC
 Company ID: CY = Cypress

6. Sales and Service Information



To obtain information about Cypress Semiconductor or PSoC sales and technical support, reference the following information.

Cypress Semiconductor

198 Champion Court
San Jose, CA 95134
408.943.2600

Web Links: Company Information – <http://www.cypress.com>
 Sales – http://www.cypress.com/aboutus/sales_locations.cfm
 Technical Support – <http://www.cypress.com/support/login.cfm>

6.1 Revision History

Document Title: CY8C20234, CY8C20334, CY8C20434 PSoC® Mixed-Signal Array Final Data Sheet				
Document Number: 001-05356				
Revision	ECN #	Issue Date	Origin of Change	Description of Change
**	404571	See ECN	HMT	New silicon and document (Revision **).
*A	418513	See ECN	HMT	Update Electrical Specs., including Storage Temperature and Maximum Input Clock Frequency. Update Features and Analog System Overview. Modify 32-pin QFN E-PAD dimensions. Add new 32-pin QFN. Add High Output Drive indicator to all P1[x] pinouts. Update trademarks.
*B	490071	See ECN	HMT	Make data sheet "Final." Add new Dev. Tool section. Add OCD pinout and package diagram. Add 16-pin QFN. Update 24- and 32-pin QFN package diagrams to 0.60 MAX thickness. Change from commercial to industrial temperature range. Update Storage Temperature specification and notes. Update thermal resistance data. Add dev. tool kit part numbers. Finetune features and electrical specs.
Distribution: External/Public Posting: None				

6.2 Copyrights and Code Protection

Copyrights

© Cypress Semiconductor Corp. 2005-2006. All rights reserved. PSoC Designer™, Programmable System-on-Chip™, and PSoC Express are trademarks and PSoC® is a registered trademark of Cypress Semiconductor Corp. All other trademarks or registered trademarks referenced herein are property of the respective corporations.

The information contained herein is subject to change without notice. Cypress Semiconductor assumes no responsibility for the use of any circuitry other than circuitry embodied in a Cypress Semiconductor product. Nor does it convey or imply any license under patent or other rights. Cypress Semiconductor does not authorize its products for use as critical components in life-support systems where a malfunction or failure may reasonably be expected to result in significant injury to the user. The inclusion of Cypress Semiconductor products in life-support systems application implies that the manufacturer assumes all risk of such use and in doing so indemnifies Cypress Semiconductor against all charges. Cypress Semiconductor products are not warranted nor intended to be used for medical, life-support, life-saving, critical control or safety applications, unless pursuant to an express written agreement with Cypress Semiconductor.

Flash Code Protection

Note the following details of the Flash code protection features on Cypress Semiconductor PSoC devices.

Cypress Semiconductor products meet the specifications contained in their particular data sheets. Cypress Semiconductor believes that its family of products is one of the most secure families of its kind on the market today, regardless of how they are used. There may be methods, unknown to Cypress Semiconductor, that can breach the code protection features. Any of these methods, to our knowledge, would be dishonest and possibly illegal. Neither Cypress Semiconductor nor any other semiconductor manufacturer can guarantee the security of their code. Code protection does not mean that we are guaranteeing the product as "unbreakable."

Cypress Semiconductor is willing to work with the customer who is concerned about the integrity of their code. Code protection is constantly evolving. We at Cypress Semiconductor are committed to continuously improving the code protection features of our products.