

4

3

2

1

THIS DRAWING IS UNPUBLISHED.

RELEASED FOR PUBLICATION

-,-

LOC

DIST

REVISIONS

© COPYRIGHT - BY TYCO ELECTRONICS CORPORATION. ALL RIGHTS RESERVED.

FT

0

P

LTR

DESCRIPTION

DATE

DWN

APVD

A

REVISED PER ECO-07-020798

9/5/07

SS

CR

## MATERIAL:

HOUSING: PA66, UL94V-0, GREEN

COVER: PA66, UL94V-0, GREEN

CONTACT: BRONZE

BLOCK: BRASS

SCREW: STEEL, ZINC PLATED

## ELECTRICAL:

CURRENT: 300V, 18A

DIELECTRIC WITHSTAND: AC 2500V FOR 1 MIN

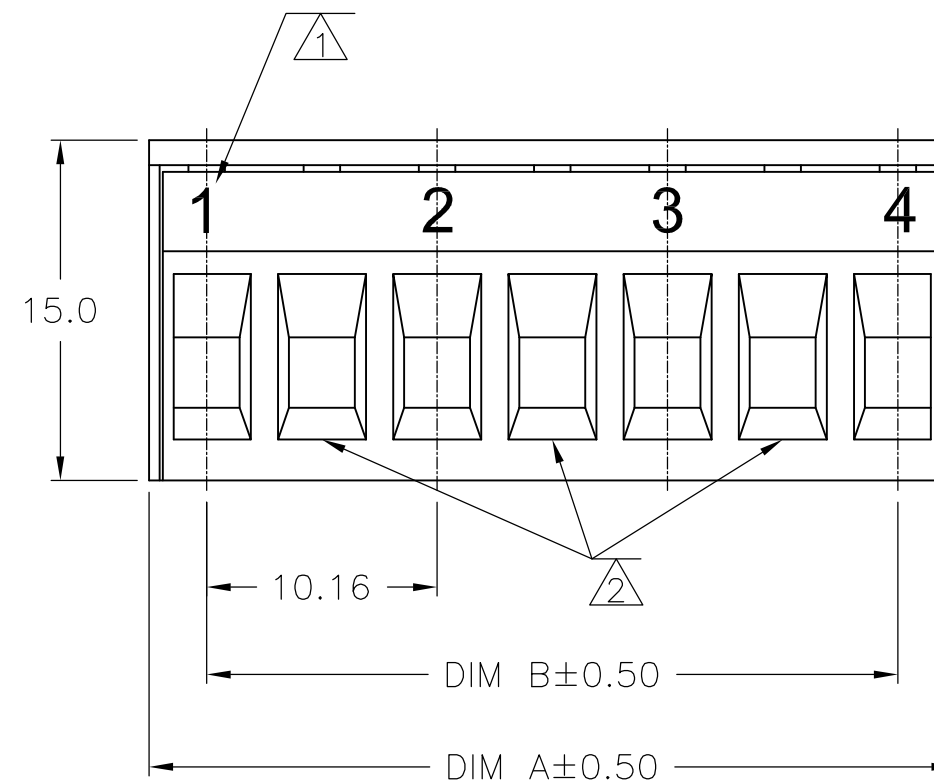
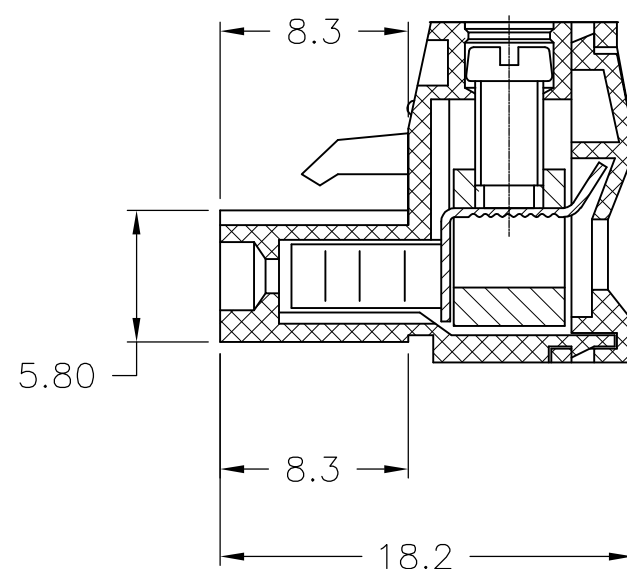
BREAKDOWN VOLTAGE: 4000V

WIRE RANGE: 12-26 AWG

OPERATING TEMP.: -40°C TO +105°C

MAX SCREW TORQUE: 5 IN-LB

① WHITE PERMANENT INK MARKING.

② PART SKIP LOADED THESE POSITIONS  
EMPTY.

30.48	35.56	4	1-1776678-4
DIM B	DIM A	NO OF POS	PART NUMBER

THIS DRAWING IS A CONTROLLED DOCUMENT.		DWN S SCHLEGEL 6/26/07	Tyco Electronics Corporation Harrisburg, PA 17105-3608													
DIMENSIONS: mm		CHK C RICHARD 6/26/07														
TOLERANCES UNLESS OTHERWISE SPECIFIED:		APVD C RICHARD 6/26/07	NAME R/A PLUG, 10.16mm PITCH													
<table border="1"> <tr> <td>0 PLC</td> <td>± -</td> </tr> <tr> <td>1 PLC</td> <td>± 0.4</td> </tr> <tr> <td>2 PLC</td> <td>± 0.25</td> </tr> <tr> <td>3 PLC</td> <td>± -</td> </tr> <tr> <td>4 PLC</td> <td>± -</td> </tr> <tr> <td>ANGLES</td> <td>± 1</td> </tr> </table>		0 PLC	± -	1 PLC	± 0.4	2 PLC	± 0.25	3 PLC	± -	4 PLC	± -	ANGLES	± 1	PRODUCT SPEC -	-	
0 PLC	± -															
1 PLC	± 0.4															
2 PLC	± 0.25															
3 PLC	± -															
4 PLC	± -															
ANGLES	± 1															
MATERIAL -		FINISH -	APPLICATION SPEC -	-												
		WEIGHT -	SIZE A3	CAGE CODE 00779	DRAWING NO C-1776678											
		CUSTOMER DRAWING		RESTRICTED TO -												
		SCALE NTS	SHEET 1 OF 1	REV A												