



ANATECH ELECTRONICS INC
RF & Microwave Filters & Products

1542 MHz Ceramic Bandpass Filter

Part Number: AM1542B1486



Electrical specifications

Center Frequency: 1542 MHz
Bandwidth: 34 MHz
VSWR: 14 dB min
Input / Output Impedance: 50 Ohms
Passband: 1525-1543 MHz
Passband Insertion Loss: 3.3 dB max
Passband Ripple: 0.8 dB max
Rejection: 50 dB min at DC-1400 MHz
Rejection 2: 37 dB min at 1401-1467 MHz
Rejection 3: 13 dB min at 1505 MHz
Rejection 4: 13 dB min at 1579 MHz
Rejection 5: 37 dB min at 1617-8000 MHz
Power Handling: 1 Watt

Mechanical

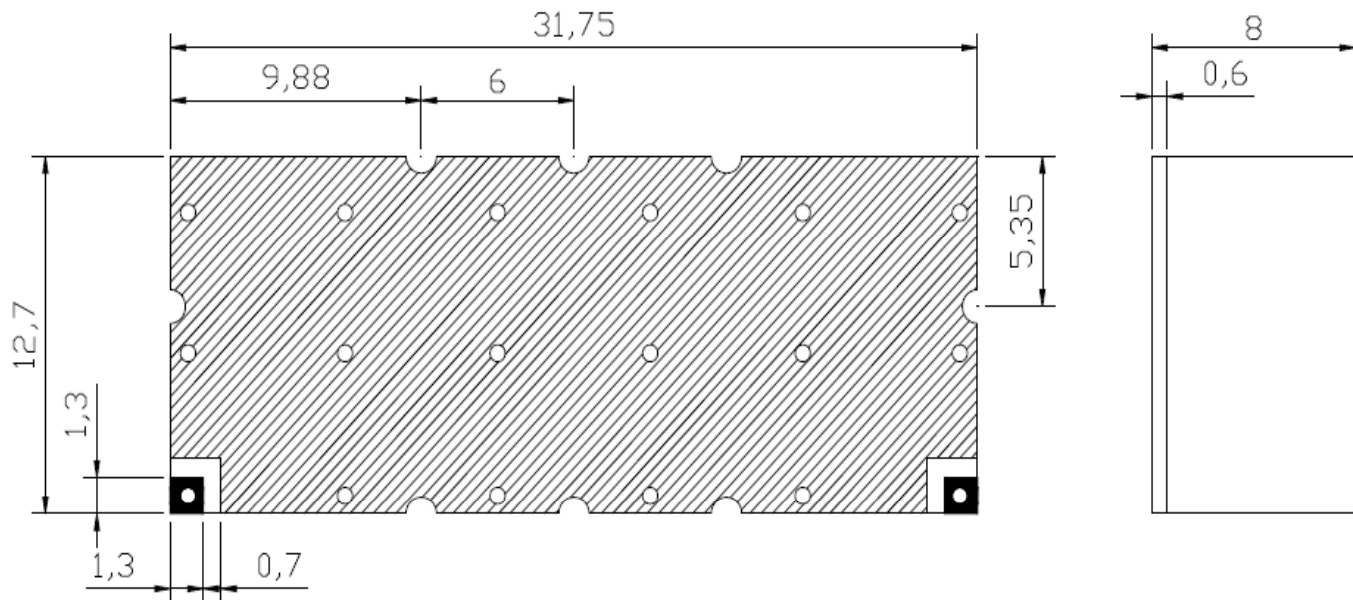
Mounting Method: SMT
Dimensions: 31.75 x 12.7 x 8 mm

Environmental

Operating Temperature: -40°C to 90°C
Storage Temperature: -50°C to +90°C

This product is RoHs compliant.

Outline Drawing:



■ I/O PORT

▨ GROUND

UNIT : mm

Tolerance : +/- 0.3