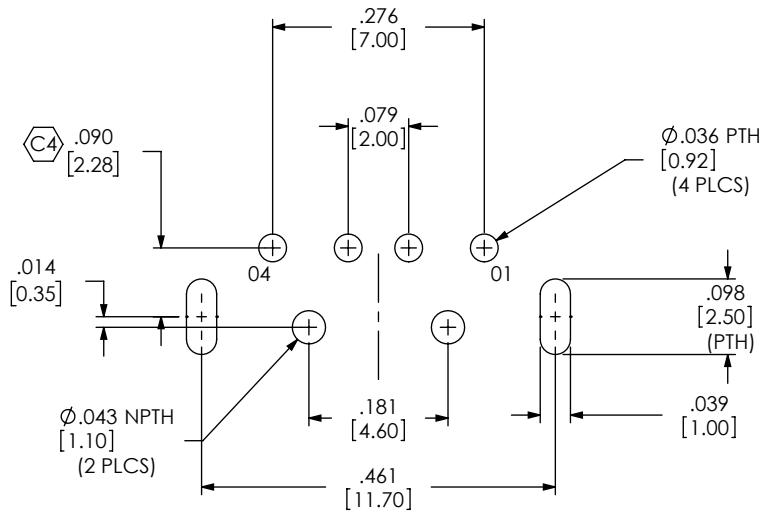
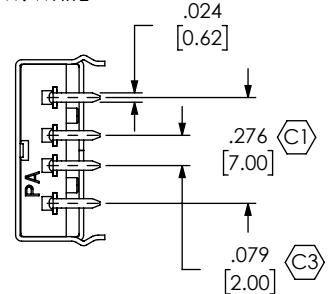
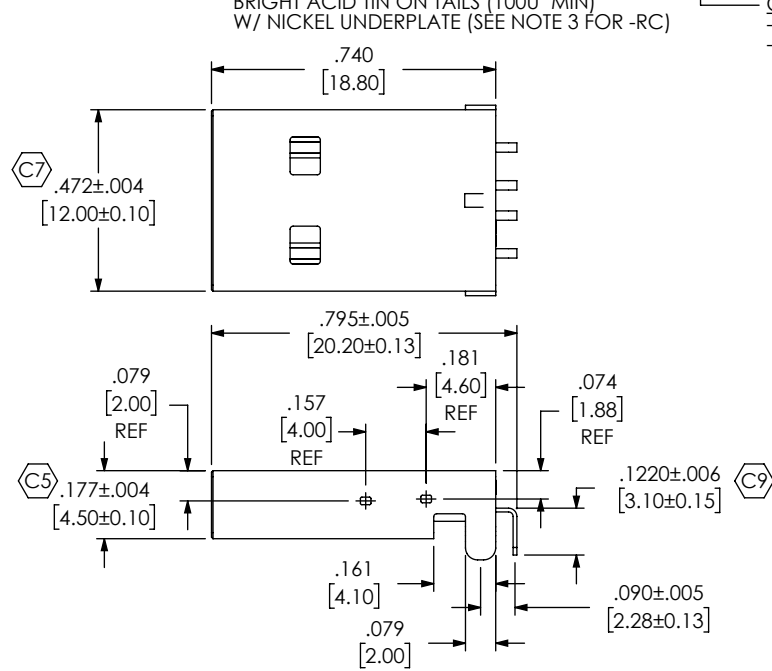
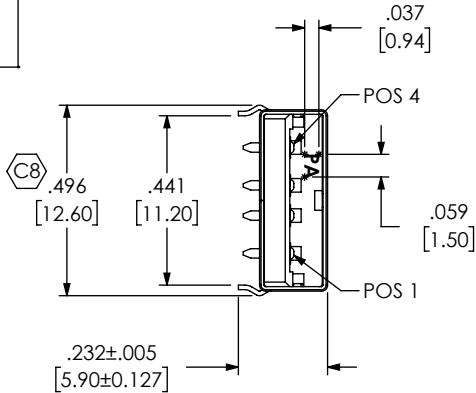


NOTES:

1. Ⓢ REPRESENTS A CRITICAL DIMENSION.
2. VERIFY -S PLATING, VISUALLY CHECK -F ONLY.
3. ALL PARTS ARE ROHS COMPLIANT WITH OR WITHOUT -R.
4. PARTS TO BE PACKAGED IN TRAYS

DO NOT SCALE FROM THIS PRINT

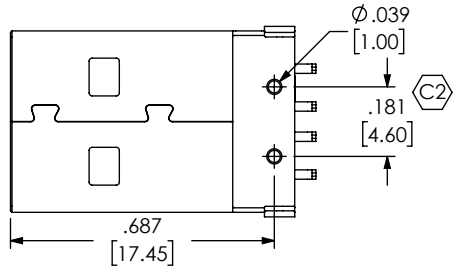


RECOMMENDED PCB LAYOUT

USB-AM-S-X-X-TH-X

- TYPE: -AM
- CONFIGURATION: -S: SINGLE
- E/OPTION: -R: RoHS COMPLIANT - LEAD FREE
- RA TERMINATION: -TH: THROUGH HOLE
- COLOR: -B: BLACK -W: WHITE

PLATING  
 -F: GOLD FLASH ON MATING AREA, BRIGHT ACID TIN ON TAILS (100U" MIN) W/ NICKEL UNDERPLATE (SEE NOTE 3 FOR -RC)  
 -S: .000030" GOLD ON MATING AREA, BRIGHT ACID TIN ON TAILS (100U" MIN) W/ NICKEL UNDERPLATE (SEE NOTE 3 FOR -RC)



UNLESS OTHERWISE SPECIFIED, DIMENSIONS ARE IN INCHES.  
 TOLERANCES ARE:  
 DECIMALS ANGLES  
 .X: ±.01 [0.30]  
 .XX: ±.008 [0.20]  
 .XXX: ±.005 [0.13]

PROPRIETARY NOTE  
 THIS DOCUMENT CONTAINS CONFIDENTIAL AND PROPRIETARY INFORMATION AND ALL DESIGN, MANUFACTURING, REPRODUCTION, USE, PATENT RIGHTS AND SALES RIGHTS ARE EXPRESSLY RESERVED BY SAMTEC, INC. THIS DOCUMENT SHALL NOT BE DISCLOSED, IN WHOLE OR PART, TO ANY UNAUTHORIZED PERSON OR ENTITY NOR REPRODUCED, TRANSFERRED OR INCORPORATED IN ANY OTHER PRODUCT IN ANY MANNER WITHOUT THE EXPRESS WRITTEN CONSENT OF SAMTEC, INC.

MATERIAL: DO NOT SCALE DRAWING SHEET SCALE: 2:1  
 INSULATOR: PA 9T  
 CONTACT OR TERMINAL: PHOS BRONZE  
 BACK SHIELD: NICKEL PLATED PHOS BRONZE  
 FRONT SHIELD: TIN PLATED PHOS BRONZE  
 MAX FLASH ALLOWED: .051  
 MAX GATE VESTIGE: .051

**samtec**  
 520 PARK EAST BLVD, NEW ALBANY, IN 47150  
 PHONE: 812-944-6733 FAX: 812-948-5047  
 e-Mail: info@SAMTEC.com code: 55322

DESCRIPTION:  
 USB RIGHT ANGLE, 4 PIN, TYPE A, SINGLE-FOOT 1MM

DWG. NO. **USB-AM-S-X-X-TH-X**

BY: LENNY K 10/19/06 SHEET 1 OF 1