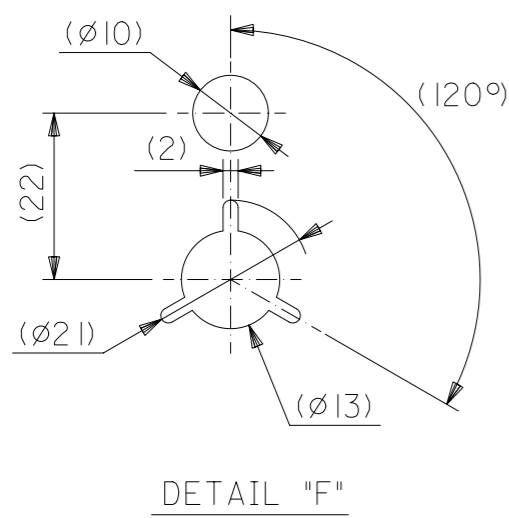
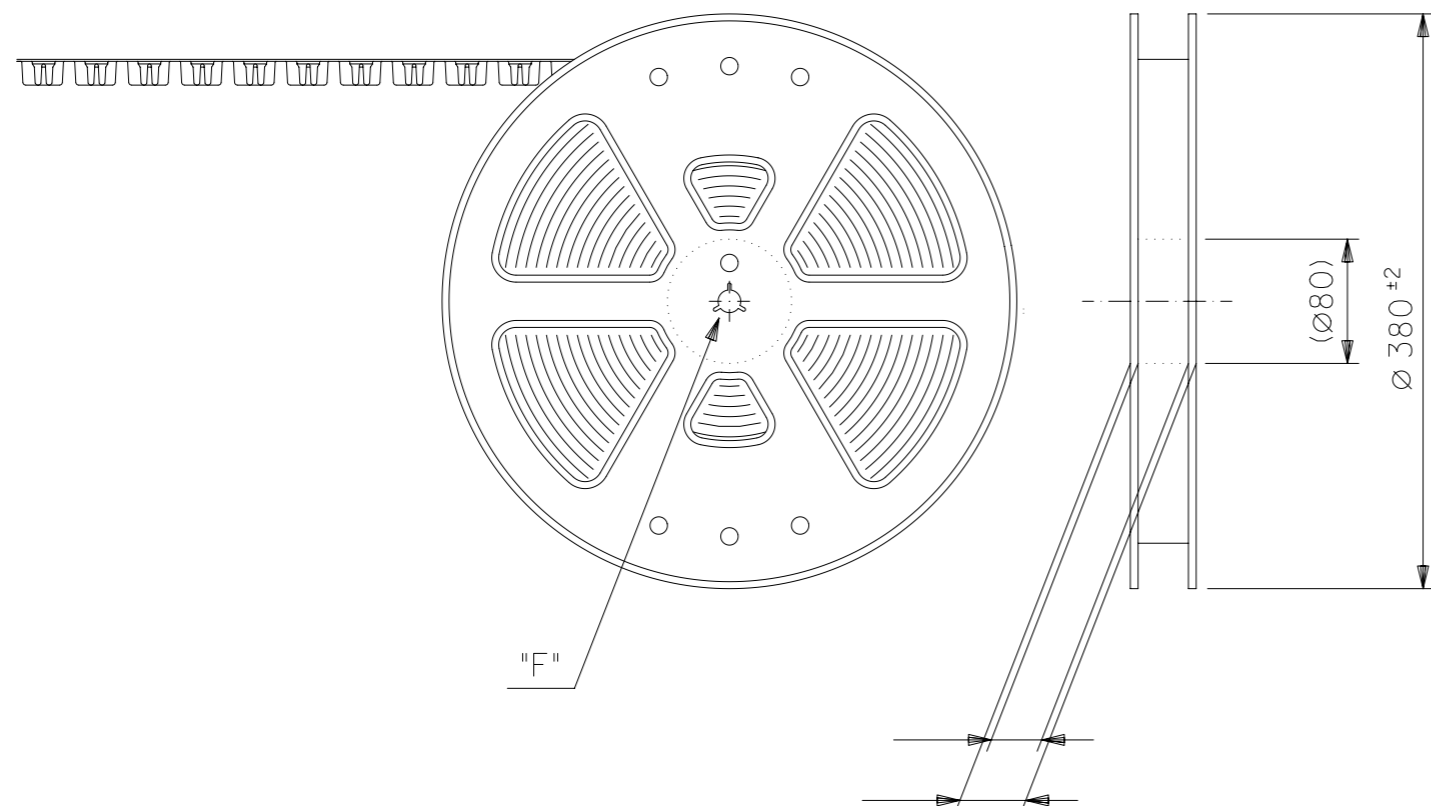


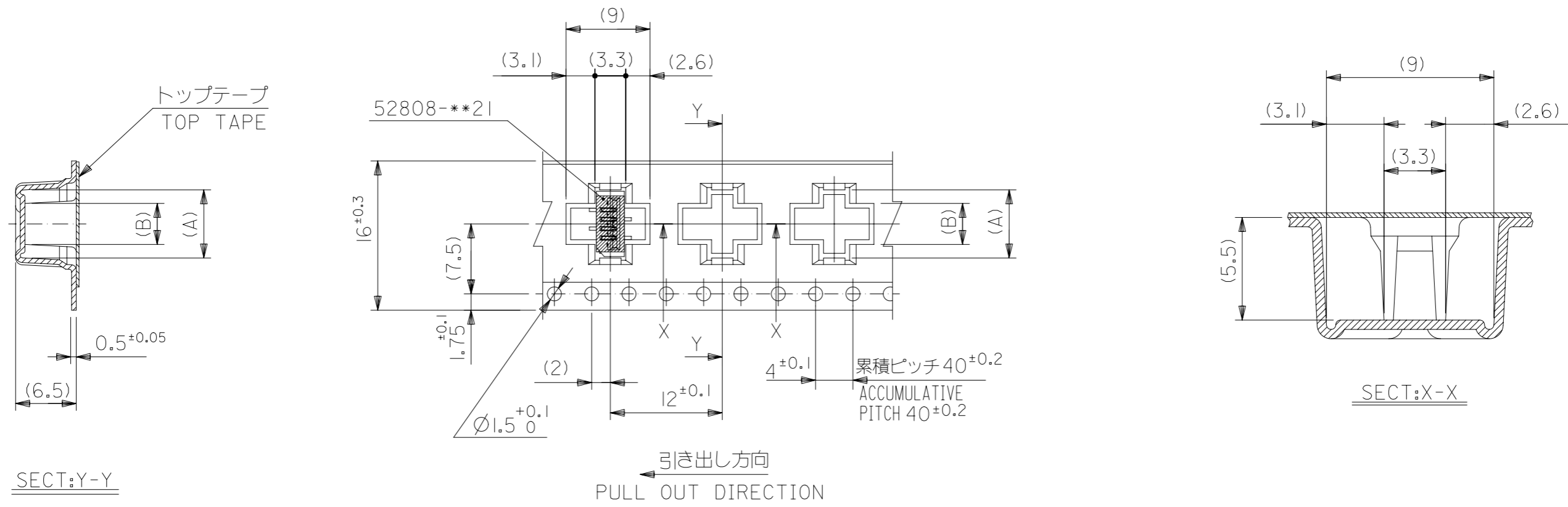
引き出し方向
PULL OUT



NOTE

- 製品詳細寸法については528081003_000を参照下さい。
RE DETAILED DIMENSION, SEE 528081003_000
- 梱包数量:1000個/リール
NUMBER OF CONNECTORS:1000PCS/REEL
- リードテープ長さ LEAD TAPE LENGTH
- カバーテープの剥離強度については IEC 60286-3 に準拠
COVER TAPE PEEL FORCE IS DEFINED BY IEC 60286-3
- 材料 (MATERIAL)
 キャリアテープ(CARRIER TAPE):ポリプロピレン(POLYPROPYLENE)
 トップテープ(TOP TAPE):PET,PE, PEF
 リール(REEL):ポリスチレン(PS) 〈リサイクル材を含む〉
 POLYSTYREN(PS) 〈RECYCLE MATERIAL CONTAINED〉
- 本製品は52808シリーズの金メッキ品です。
THIS PRODUCT IS Au PLATING OF 52808 SERIES.
- ELV 及び RoHS適合品
ELV AND RoHS COMPLIANT.

THIS DRAWING CONTAINS INFORMATION THAT IS PROPRIETARY TO MOLEX ELECTRONIC TECHNOLOGIES, LLC AND SHOULD NOT BE USED WITHOUT WRITTEN PERMISSION											
RELEASED	EC NO. 102654	DRWN: MTAKAHASHI04	CHK'D: TKUSUHARA01	APPR: TKUSUHARA01	DATE: 2016/01/28	DATE: 2016/01/28	DATE: 2016/01/28	GENERAL TOLERANCES (UNLESS SPECIFIED)			
	4 PLACES		± 0.0		ANGULAR TOL ± 0.0°		DIMENSION UNITS: mm		SCALE: 1:1		
	3 PLACES		± 0.0		2 PLACES		± 0.0		DRWN BY: MTAKAHASHI04		
	2 PLACES		± 0.0		1 PLACE		± 0.0		DATE: 2016/01/21		
	0 PLACES		± 0.0		DRAFT WHERE APPLICABLE MUST REMAIN WITHIN DIMENSIONS		DRAWING SIZE: A3		THIRD ANGLE PROJECTION		
					MTAKAHASHI04		DATE: 2016/01/21				
					TKUSUHARA01		DATE: 2016/01/28				1.0 FFC CONN NON ZIF SMT ST PKG
					PRODUCT CUSTOMER DRAWING						
SERIES: 52808		MATERIAL NUMBER: SEE CHART			CUSTOMER: GENERAL						
DOCUMENT NUMBER: 528080003				DOC TYPE: PSD		DOC PART: 000		SHEET NUMBER: 1 OF 6			

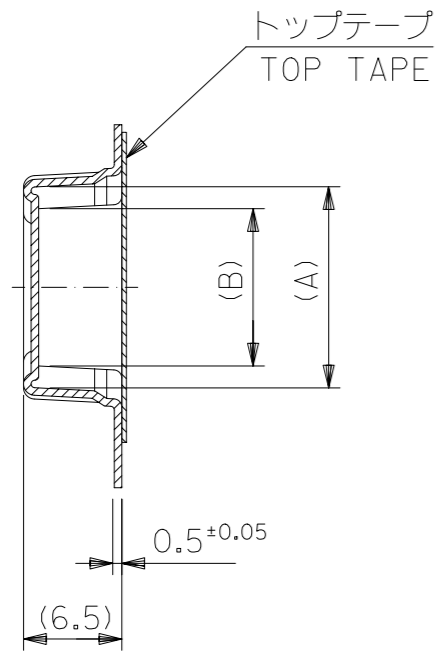


16mm幅キャリアテープ
16mm WIDTH CARRIER TAPE

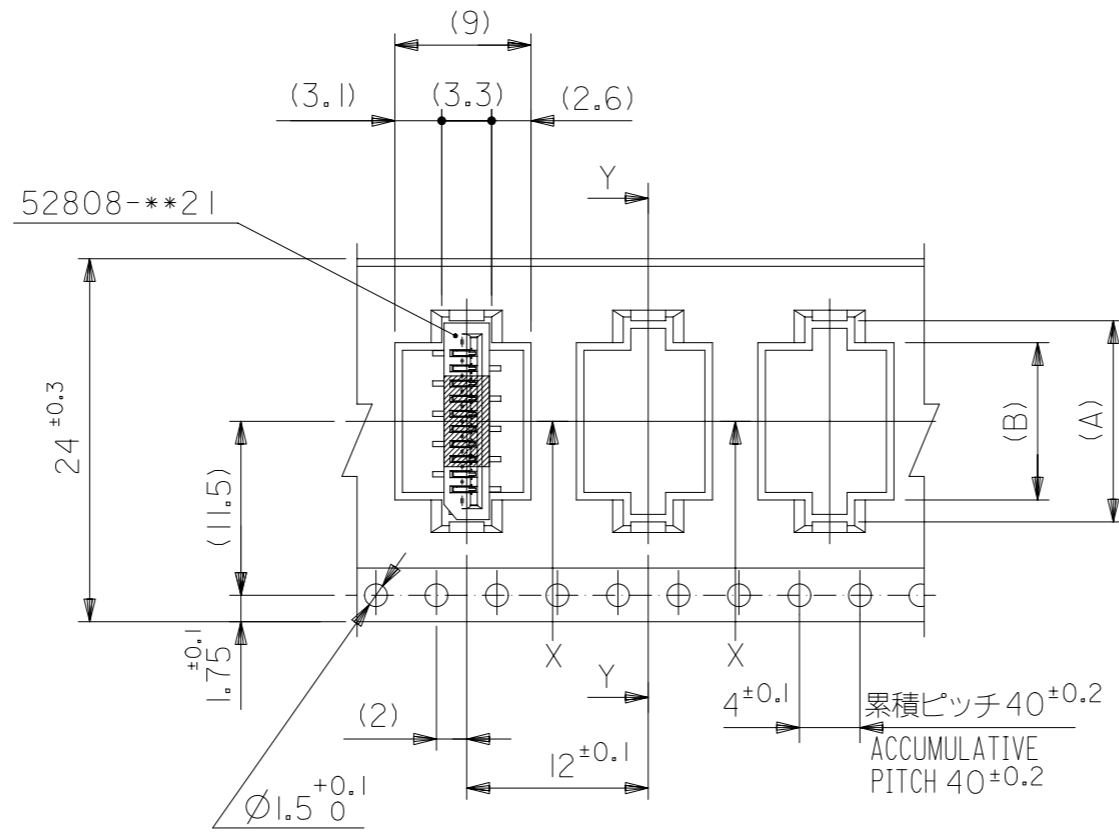
16	21.4	17.4	5.4	8.3	52808-0573	5
			4.4	7.3	52808-0473	4
キャリアテープ幅 CARRIER TAPE WIDTH	D	C	(B)	(A)	EMBOSSED PACKAGE オーダー番号 ORDER NO.	極数 CKT.
					MODEL NO.	52808-***73

THIS DRAWING CONTAINS INFORMATION THAT IS PROPRIETARY TO MOLEX ELECTRONIC TECHNOLOGIES, LLC AND SHOULD NOT BE USED WITHOUT WRITTEN PERMISSION

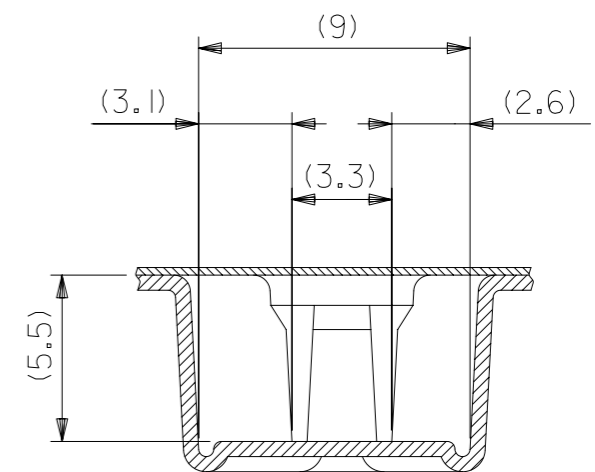
EC NO: 102654 DRWN: MTAKAHASHI04 CHK'D: TKUSUHARA01 APPR: TKUSUHARA01	2016/01/21	2016/01/28	2016/01/28	GENERAL TOLERANCES (UNLESS SPECIFIED) ANGULAR TOL ± 0.0° 4 PLACES ± 0.0 3 PLACES ± 0.0 2 PLACES ± 0.0 1 PLACE ± 0.0 0 PLACES ± 0.0	DIMENSION UNITS	SCALE			
	MTAKAHASHI04	TKUSUHARA01	TKUSUHARA01		mm	±±			
	DATE	DATE	DATE		DRWN BY	DATE		MTAKAHASHI04	2016/01/21
	DATE	DATE	DATE		CHK'D BY	DATE		KTAKAHASHI	
	DATE	DATE	DATE		APPR BY	DATE		TKUSUHARA01	2016/01/28
REV	DRAFT WHERE APPLICABLE MUST REMAIN WITHIN DIMENSIONS			DRAWING SIZE	THIRD ANGLE PROJECTION	PRODUCT CUSTOMER DRAWING SERIES: 52808 MATERIAL NUMBER: SEE CHART CUSTOMER: GENERAL			
A				A3		DOCUMENT NUMBER: 528080003 DOC TYPE: PSD DOC PART: 000 SHEET NUMBER: 2 OF 6			



SECT:Y-Y



引き出し方向
PULL OUT DIRECTION



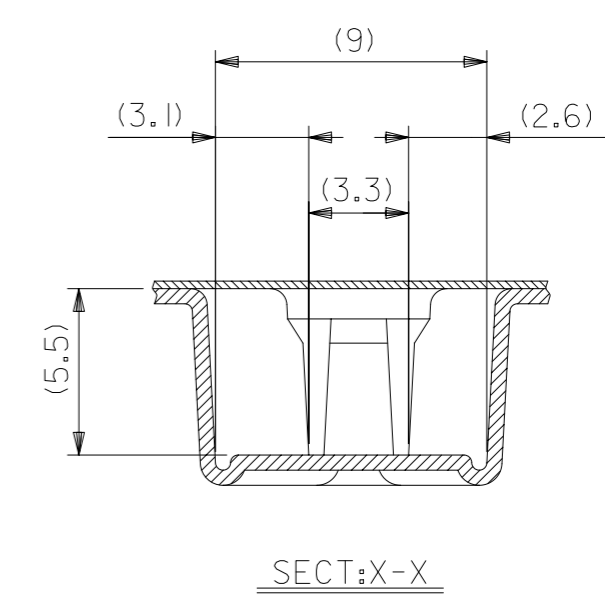
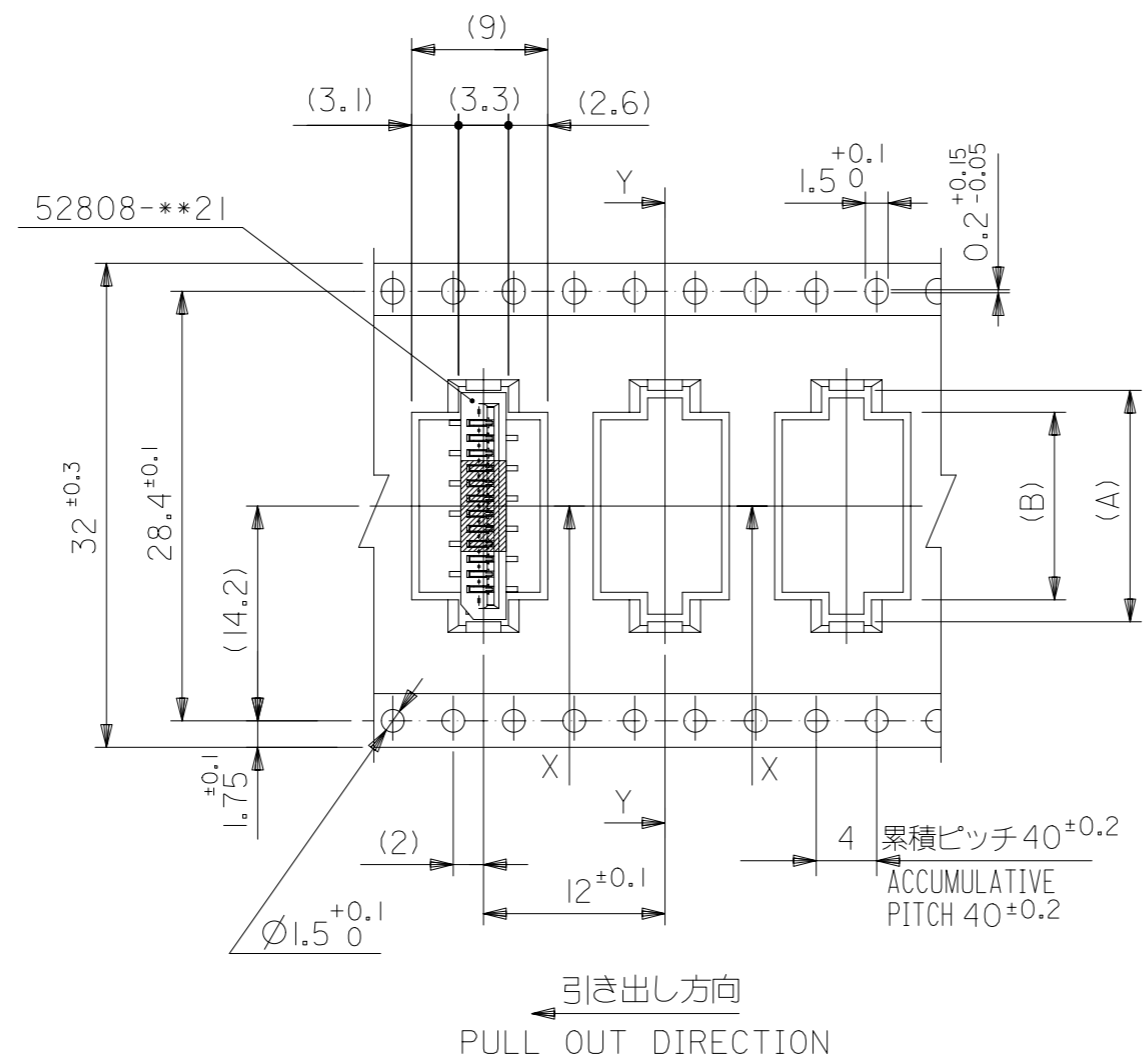
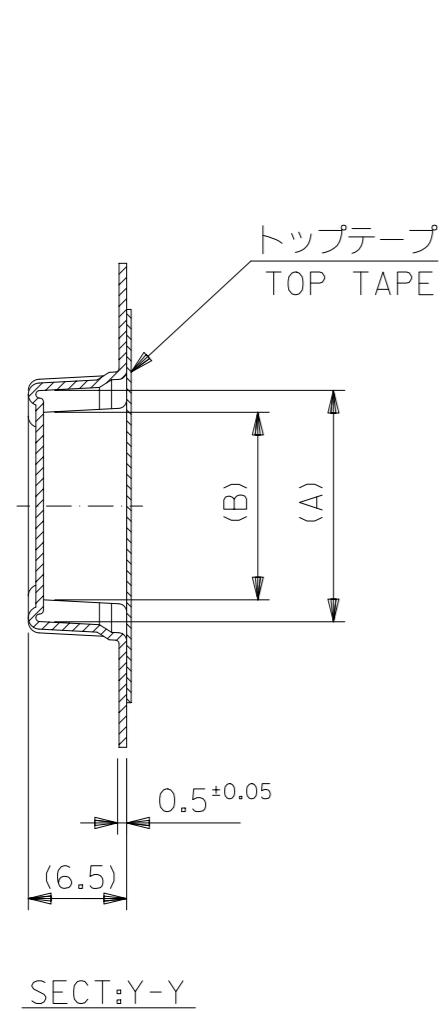
SECT:X-X

24mm幅キャリアテープ
24mm WIDTH CARRIER TAPE

24	29.4	25.4	10.4	13.3	52808-1073	10	
			9.4	12.3	52808-0973	9	
			8.4	11.3	52808-0873	8	
			7.4	10.3	52808-0773	7	
			6.4	9.3	52808-0673	6	
キャリアテープ幅 CARRIER TAPE WIDTH		D	C	(B)	(A)	EMBOSSED PACKAGE オーダー番号 ORDER NO.	極数 CKT.

MODEL NO. 52808-***73

THIS DRAWING CONTAINS INFORMATION THAT IS PROPRIETARY TO MOLEX ELECTRONIC TECHNOLOGIES, LLC AND SHOULD NOT BE USED WITHOUT WRITTEN PERMISSION												
EC NO: 102654 DRWN: MTAKAHASHI04 CHK'D: TKUSUHARA01 APPR: TKUSUHARA01	2016/01/21	2016/01/28	2016/01/28	GENERAL TOLERANCES (UNLESS SPECIFIED)		DIMENSION UNITS	SCALE					
	4 PLACES ± 0.0 3 PLACES ± 0.0 2 PLACES ± 0.0 1 PLACE ± 0.0 0 PLACES ± 0.0			ANGULAR TOL ± 0.0°		mm	≠≠					
	DRWN BY		DATE		MTAKAHASHI04		2016/01/21		1.0 FFC CONN NON ZIF SMT ST PKG			
	CHK'D BY		DATE		KTAKAHASHI							
	APPR BY		DATE		TKUSUHARA01		2016/01/28		PRODUCT CUSTOMER DRAWING			
	DRAWING SIZE		THIRD ANGLE PROJECTION		A3				SERIES	MATERIAL NUMBER	CUSTOMER	
52808		SEE CHART		GENERAL								
DOCUMENT NUMBER				DOC TYPE		DOC PART		SHEET NUMBER				
528080003				PSD		000		3 OF 6				



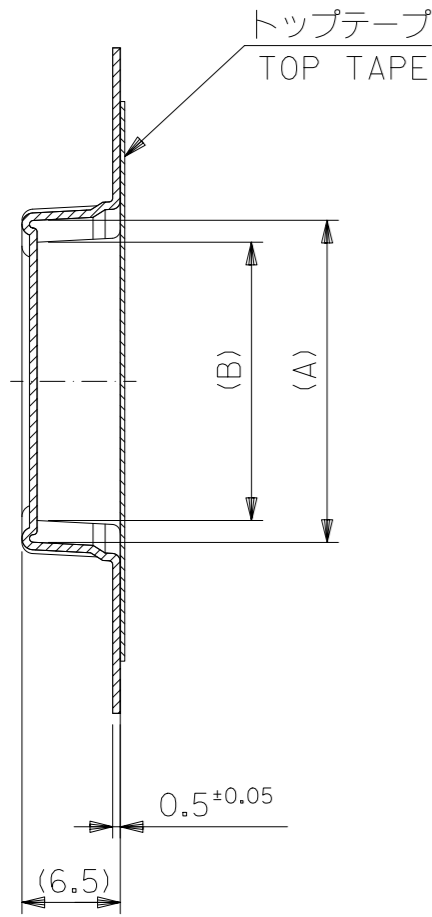
32mm幅キャリアテープ
32mm WIDTH CARRIER TAPE

32	37.4	33.4	15.4	18.3	52808-1973	15	
			14.4	17.3	52808-1773	14	
			13.4	16.3	52808-1573	13	
			12.4	15.3	52808-1373	12	
			11.4	14.3	52808-1173	11	
キャリアテープ幅 CARRIER TAPE WIDTH		D	C	(B)	(A)	EMBOSSED PACKAGE オーダー番号 ORDER NO.	極数 CKT.

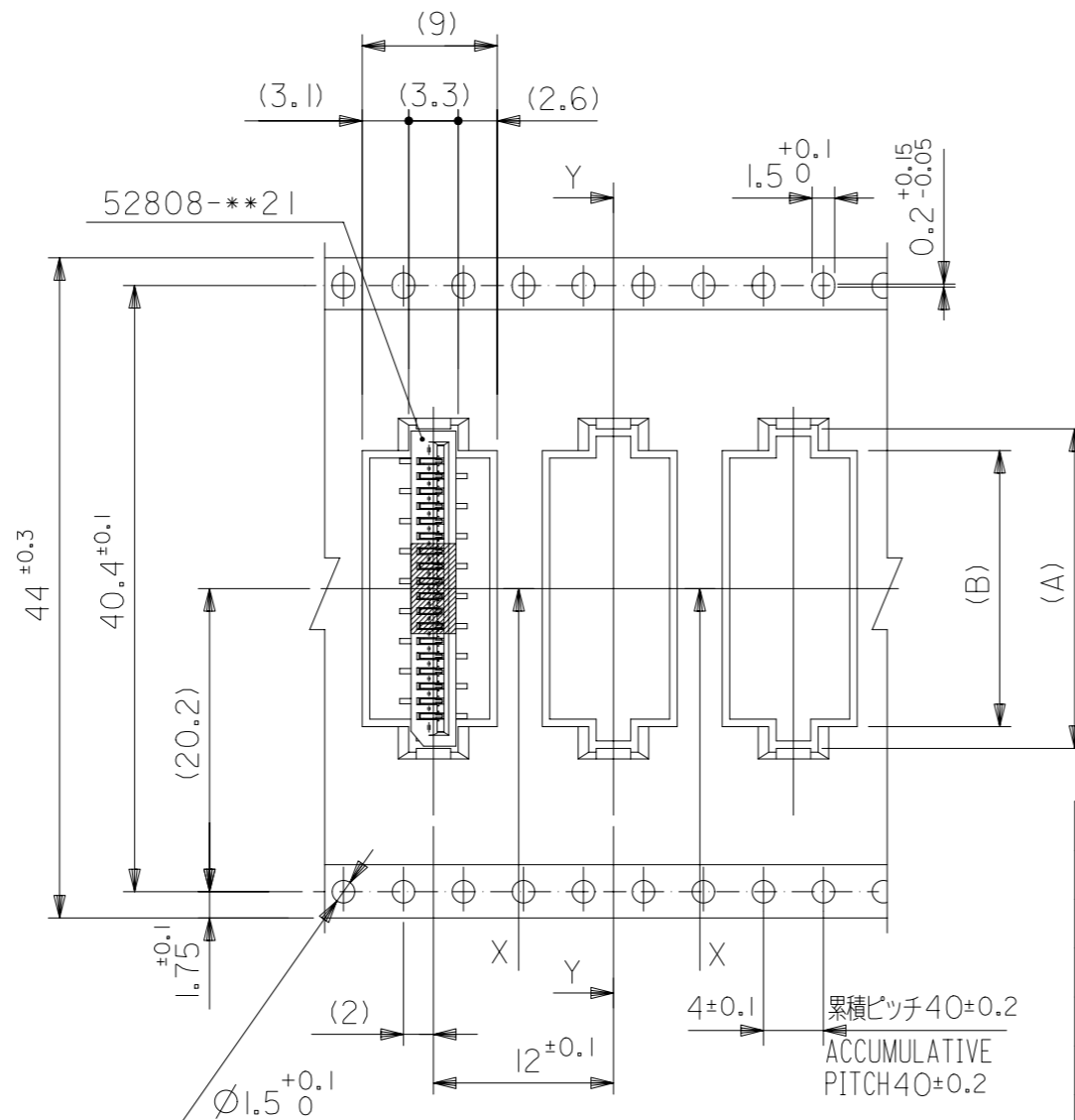
MODEL NO. 52808-***73

THIS DRAWING CONTAINS INFORMATION THAT IS PROPRIETARY TO MOLEX ELECTRONIC TECHNOLOGIES, LLC AND SHOULD NOT BE USED WITHOUT WRITTEN PERMISSION

EC NO: 102654 DRWN: MTAKAHASHI04 CHK'D: TKUSUHARA01 APPR: TKUSUHARA01	2016/01/21 2016/01/28 2016/01/28	GENERAL TOLERANCES (UNLESS SPECIFIED) ANGULAR TOL ± 0.0°	DIMENSION UNITS: mm SCALE: ≯		
	4 PLACES ± 0.0 3 PLACES ± 0.0 2 PLACES ± 0.0 1 PLACE ± 0.0 0 PLACES ± 0.0	DRWN BY: MTAKAHASHI04 DATE: 2016/01/21	DRWN BY: MTAKAHASHI04 DATE: 2016/01/21		1.0 FFC CONN NON ZIF SMT ST PKG
	DRAFT WHERE APPLICABLE MUST REMAIN WITHIN DIMENSIONS	CHK'D BY: KTAKAHASHI DATE:	CHK'D BY: KTAKAHASHI DATE:		
	A	APPR BY: TKUSUHARA01 DATE: 2016/01/28	APPR BY: TKUSUHARA01 DATE: 2016/01/28		DRAWING SIZE: A3 THIRD ANGLE PROJECTION
RELEASE STATUS: P1 RELEASE DATE: 2016/01/28 04:09:22	DOCUMENT NUMBER: 528080003 DOC TYPE: PSD DOC PART: 000 SHEET NUMBER: 4 OF 6				

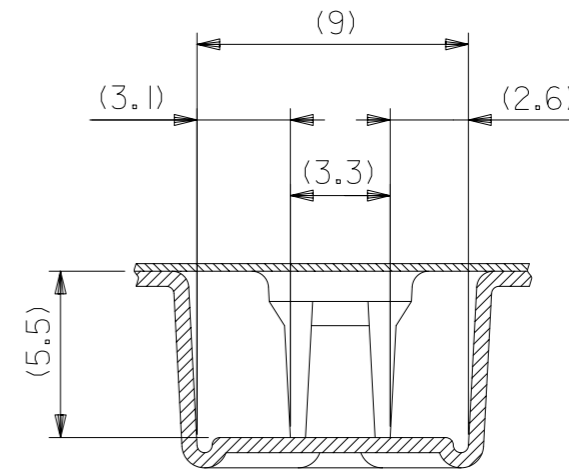


SECT:Y-Y



引き出し方向
PULL OUT DIRECTION

44mm幅キャリアテープ
44mm WIDTH CARRIER TAPE



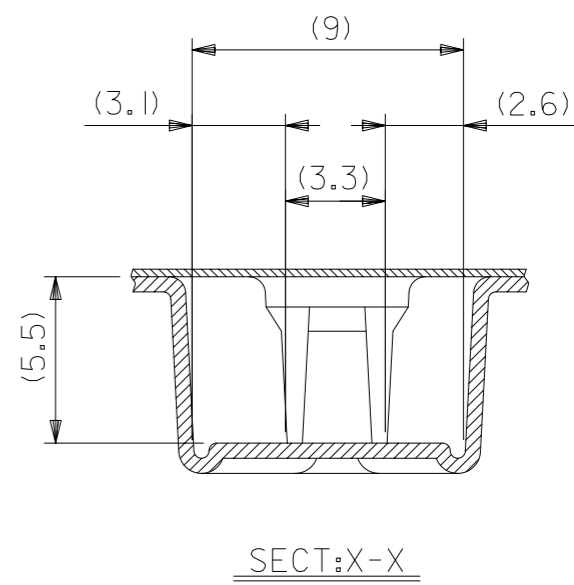
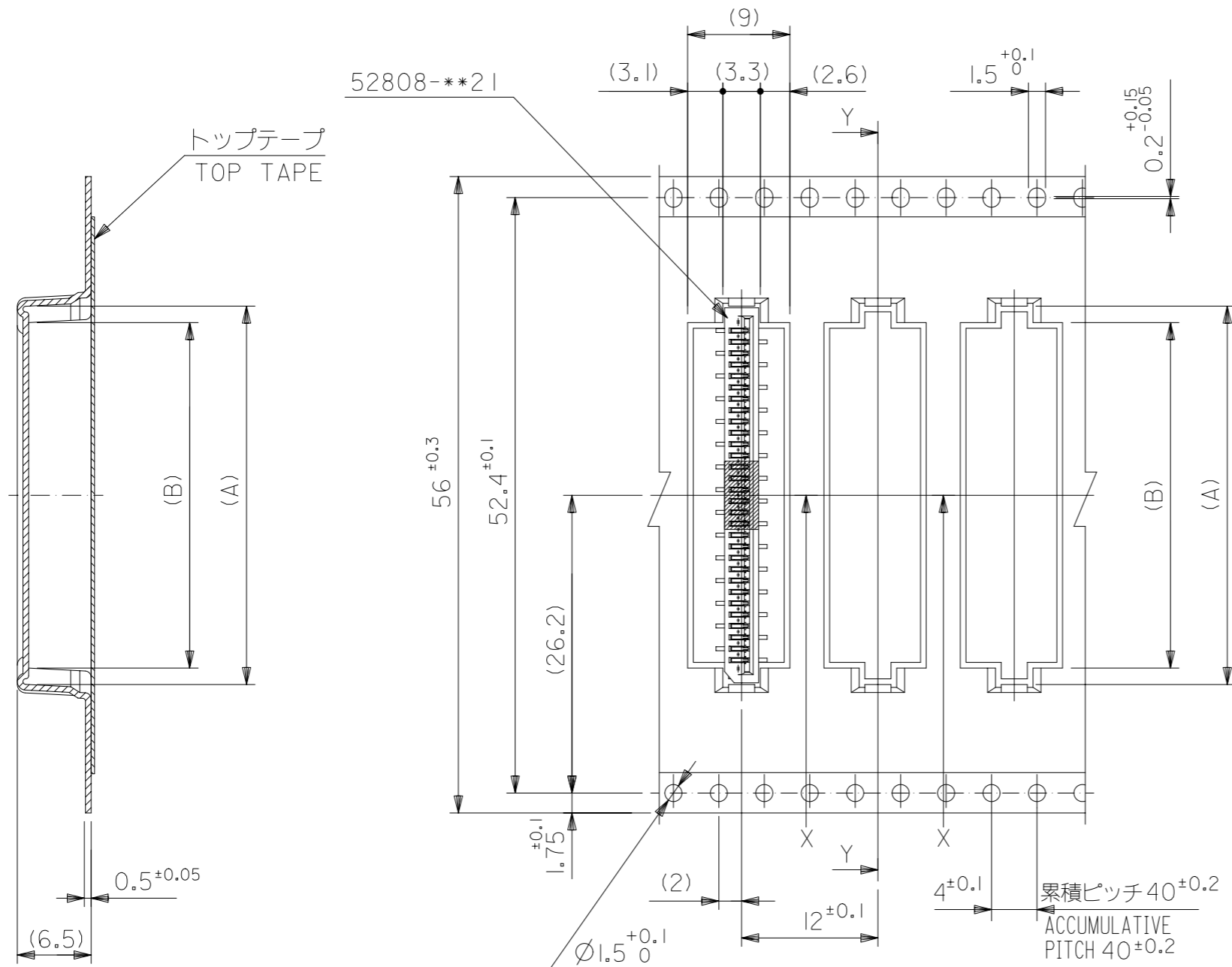
SECT:X-X

44	49.4	45.4	28.4	31.3	52808-2873	28	
			27.4	30.3	52808-2773	27	
			26.4	29.3	52808-2673	26	
			25.4	28.3	52808-2573	25	
			24.4	27.3	52808-2473	24	
			23.4	26.3	52808-2373	23	
			22.4	25.3	52808-2273	22	
			21.4	24.3	52808-2173	21	
			20.4	23.3	52808-2073	20	
			19.4	22.3	52808-1973	19	
			18.4	21.3	52808-1873	18	
			17.4	20.3	52808-1773	17	
			16.4	19.3	52808-1673	16	
キャリアテープ幅 CARRIER TAPE WIDTH		D	C	(B)	(A)	EMBOSSED PACKAGE オーダー番号 ORDER NO.	極数 CKT.

MODEL NO. 52808-**-73

THIS DRAWING CONTAINS INFORMATION THAT IS PROPRIETARY TO MOLEX ELECTRONIC TECHNOLOGIES, LLC AND SHOULD NOT BE USED WITHOUT WRITTEN PERMISSION

EC NO: 102654 DRWN: MTAKAHASHI04 CHK'D: TKUSUHARA01 APPR: TKUSUHARA01	2016/01/21	2016/01/28	2016/01/28	GENERAL TOLERANCES (UNLESS SPECIFIED) ANGULAR TOL ± 0.0° 4 PLACES ± 0.0 3 PLACES ± 0.0 2 PLACES ± 0.0 1 PLACE ± 0.0 0 PLACES ± 0.0 DRAFT WHERE APPLICABLE MUST REMAIN WITHIN DIMENSIONS	DIMENSION UNITS	SCALE				
	RELEASED	MTAKAHASHI04	TKUSUHARA01		mm	≠≠		1.0 FFC CONN NON ZIF SMT ST PKG		
	DRWN BY	DATE	MTAKAHASHI04		2016/01/21	PRODUCT CUSTOMER DRAWING				
	CHK'D BY	DATE	KTAKAHASHI							
	APPR BY	DATE	TKUSUHARA01		2016/01/28					
A	REV				DRAWING SIZE	THIRD ANGLE PROJECTION	SERIES	MATERIAL NUMBER	CUSTOMER	
					A3		52808	SEE CHART	GENERAL	
							DOCUMENT NUMBER	DOC TYPE	DOC PART	SHEET NUMBER
							528080003	PSD	000	5 OF 6



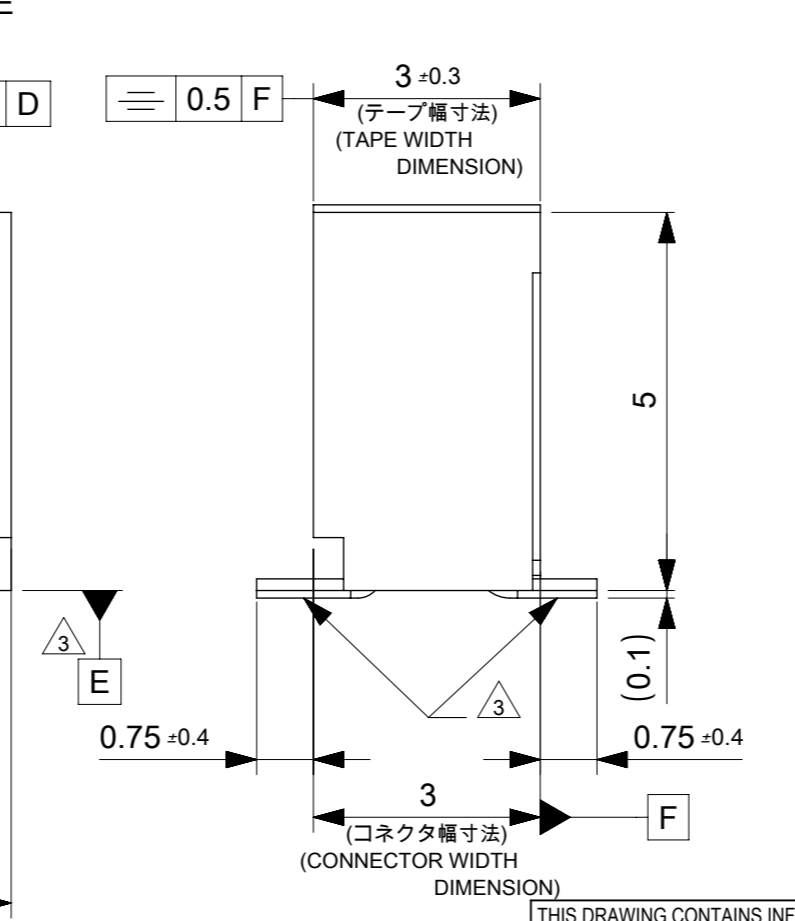
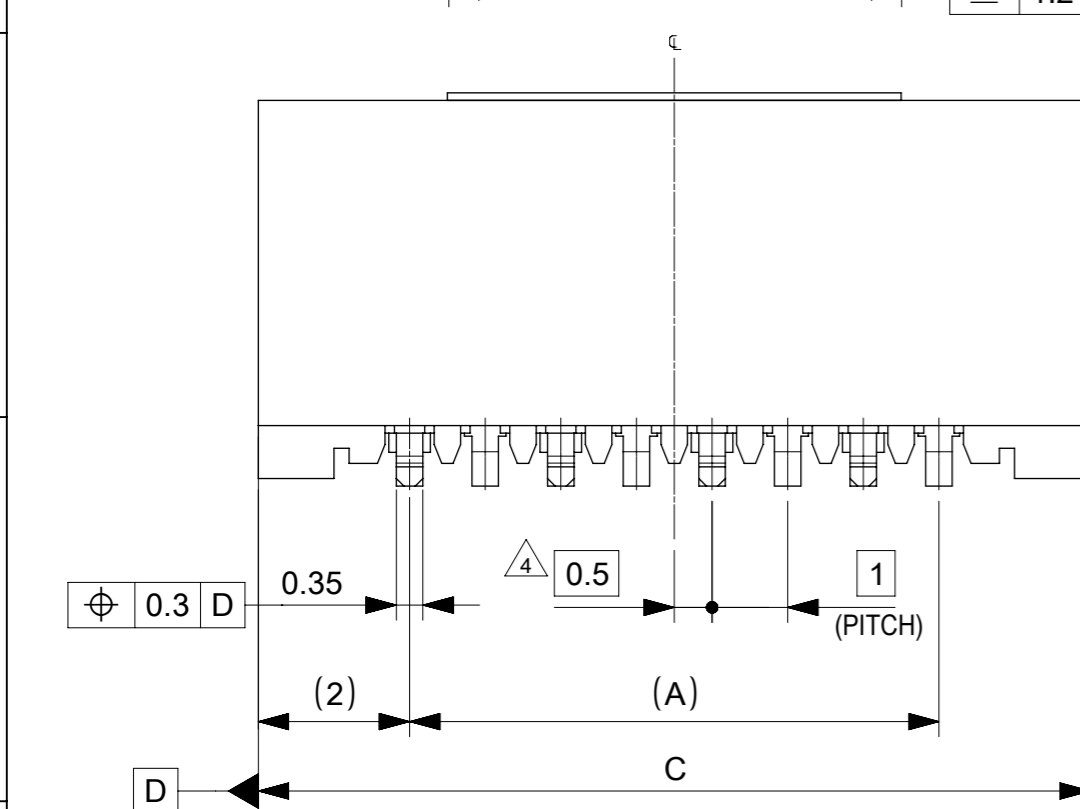
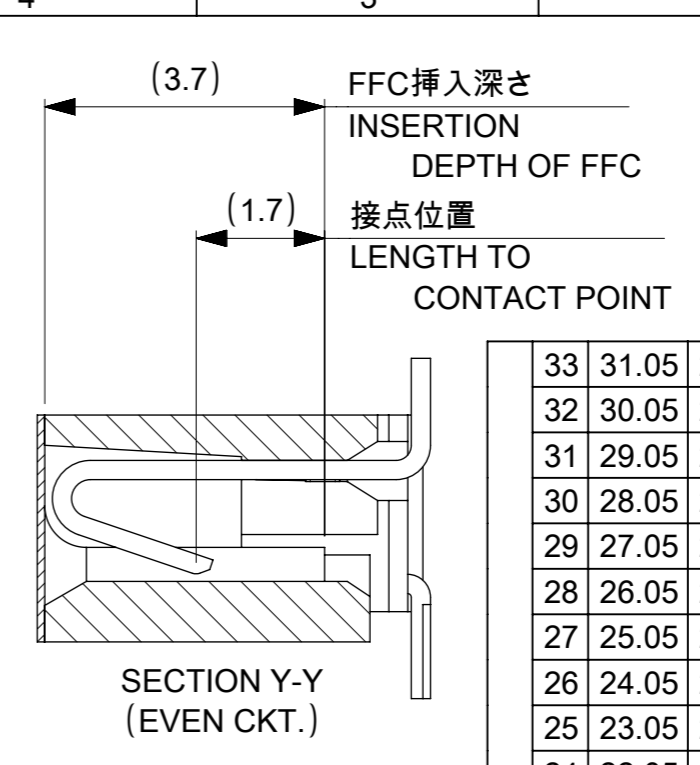
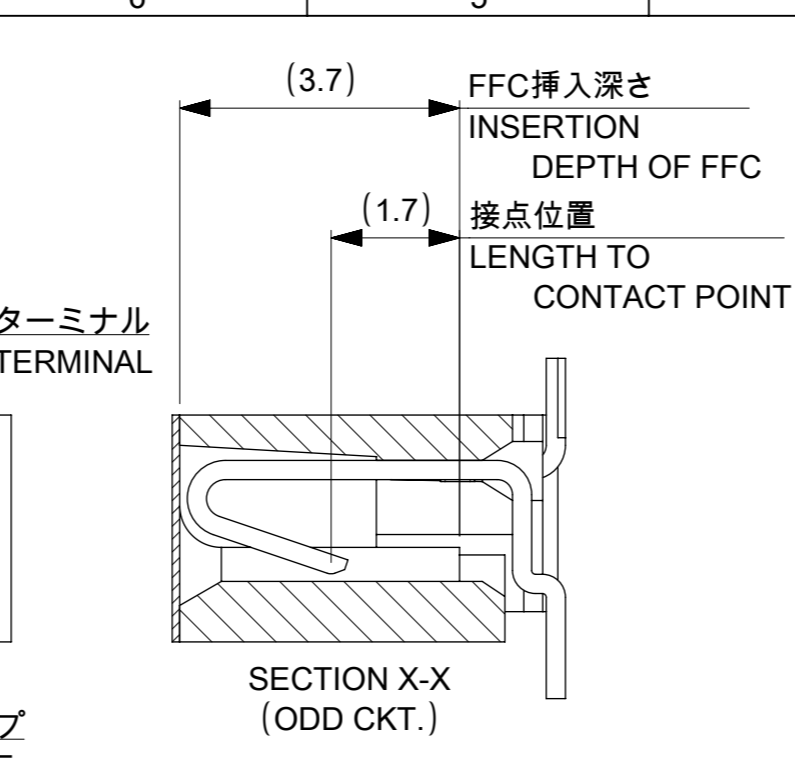
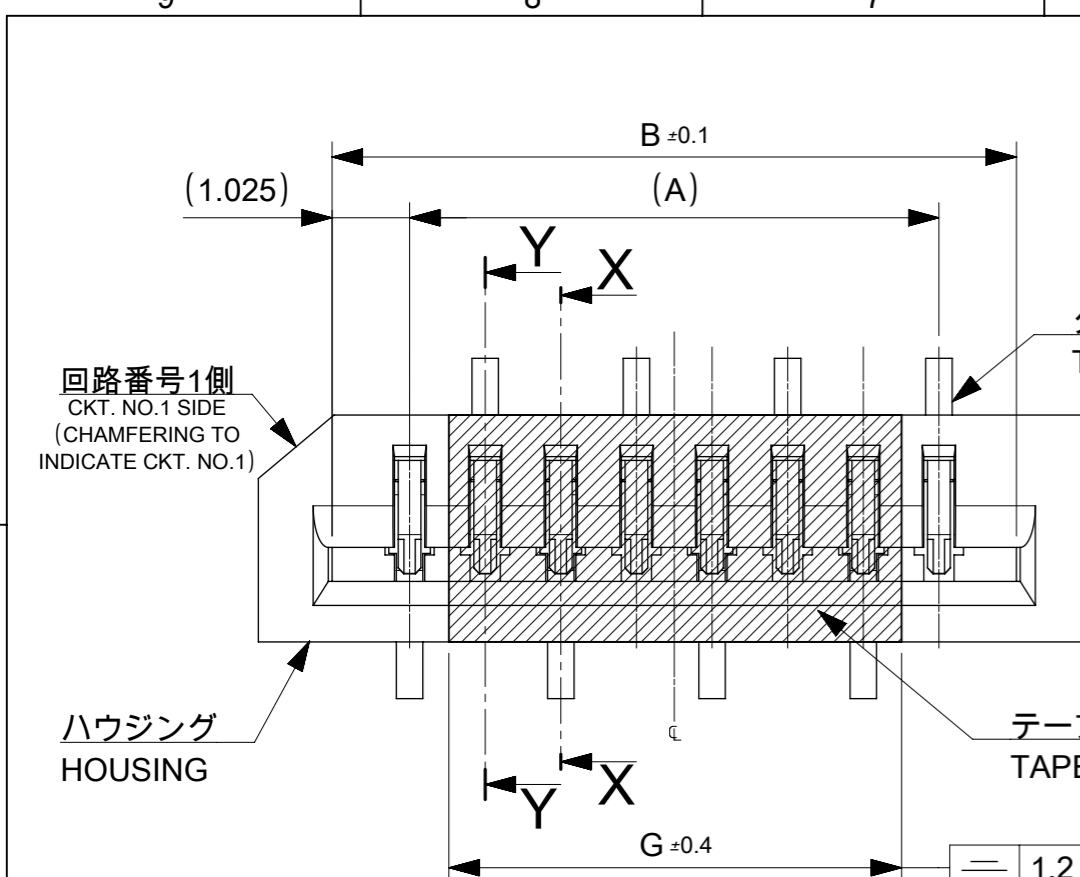
SECT:Y-Y

56mm幅キャリアテープ
56mm WIDTH CARRIER TAPE

56	61.4	57.4	30.4	33.3	52808-3073	30				
			29.4	32.3	52808-2973	29				
キャリアテープ幅 CARRIER TAPE WIDTH					D	C	(B)	(A)	EMBOSSED PACKAGE	極数
					オーダー番号	ORDER NO.	CKT.			
								MODEL NO.	52808-**73	

THIS DRAWING CONTAINS INFORMATION THAT IS PROPRIETARY TO MOLEX ELECTRONIC TECHNOLOGIES, LLC AND SHOULD NOT BE USED WITHOUT WRITTEN PERMISSION

EC NO: 102654 DRWN: MTAKAHASHI04 CHK'D: TKUSUHARA01 APPR: TKUSUHARA01	2016/01/21 2016/01/28 2016/01/28	GENERAL TOLERANCES (UNLESS SPECIFIED) ANGULAR TOL ± 0.0° 4 PLACES ± 0.0 3 PLACES ± 0.0 2 PLACES ± 0.0 1 PLACE ± 0.0 0 PLACES ± 0.0	DIMENSION UNITS: mm SCALE: ≯ DRWN BY: MTAKAHASHI04 DATE: 2016/01/21 CHK'D BY: KTAKAHASHI DATE: APPR BY: TKUSUHARA01 DATE: 2016/01/28	molex 1.0 FFC CONN NON ZIF SMT ST PKG
	DRAFT WHERE APPLICABLE MUST REMAIN WITHIN DIMENSIONS	DRAWING SIZE: A3 THIRD ANGLE PROJECTION	PRODUCT CUSTOMER DRAWING	SERIES: 52808 MATERIAL NUMBER: SEE CHART CUSTOMER: GENERAL
	RELEASED	A	REV	DOCUMENT NUMBER: 528080003 DOC TYPE: PSD DOC PART: 000 SHEET NUMBER: 6 OF 6

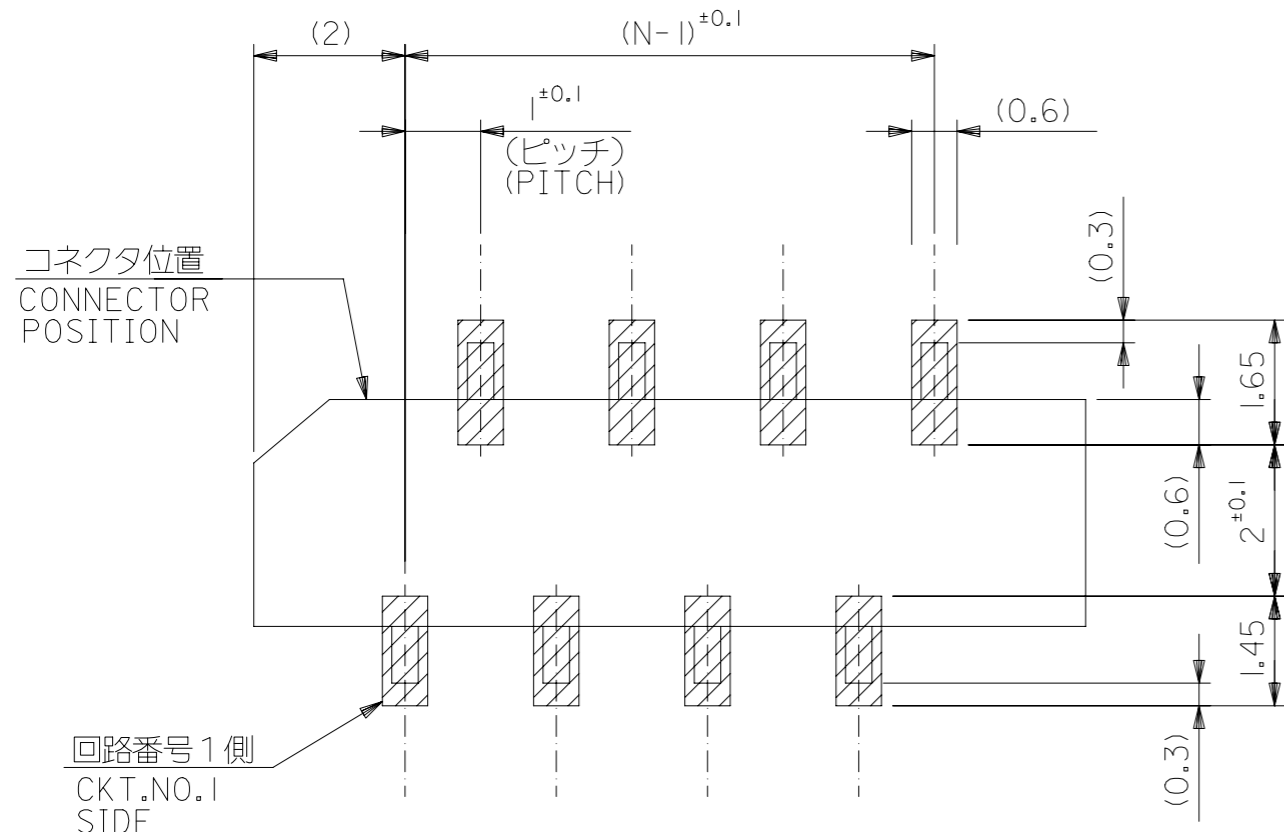


33	31.05	29	52808-3073	30
32	30.05	28	52808-2973	29
31	29.05	27	52808-2873	28
30	28.05	26	52808-2773	27
29	27.05	25	52808-2673	26
28	26.05	24	52808-2573	25
27	25.05	23	52808-2473	24
26	24.05	22	52808-2373	23
25	23.05	21	52808-2273	22
24	22.05	20	52808-2173	21
23	21.05	19	52808-2073	20
22	20.05	18	52808-1973	19
21	19.05	17	52808-1873	18
20	18.05	16	52808-1773	17
19	17.05	15	52808-1673	16
18	16.05	14	52808-1573	15
17	15.05	13	52808-1473	14
16	14.05	12	52808-1373	13
15	13.05	11	52808-1273	12
14	12.05	10	52808-1173	11
13	11.05	9	52808-1073	10
12	10.05	8	52808-0973	9
11	9.05	7	52808-0873	8
10	8.05	6	52808-0773	7
9	7.05	5	52808-0673	6
8	6.05	4	52808-0573	5
7	5.05	3	52808-0473	4
EMBOSSED PACKAGE				Ckt
オーダー番号 ORDER NO.				

THIS DRAWING CONTAINS INFORMATION THAT IS PROPRIETARY TO MOLEX ELECTRONIC TECHNOLOGIES, LLC AND SHOULD NOT BE USED WITHOUT WRITTEN PERMISSION

2016/01/18	DRWN: MTAKAHASHI04	GENERAL TOLERANCES (UNLESS SPECIFIED)	DIMENSION UNITS	SCALE
2016/01/28	CHK'D: TKUSUHARA01	ANGULAR TOL ± 1.0 °	mm	10:1
2016/01/28	APPR: TKUSUHARA01	4 PLACES ± 0.05	DRWN BY	DATE
		3 PLACES ± 0.1	MTAKAHASHI04	2016/01/18
		2 PLACES ± 0.2	CHK'D BY	DATE
		1 PLACE ± 0.2	KTAKAHASHI	
		0 PLACES ± 0.2	APPR BY	DATE
			TKUSUHARA01	2016/01/28
			DRAWING SIZE	THIRD ANGLE PROJECTION
			A3	
			DRAFT WHERE APPLICABLE MUST REMAIN WITHIN DIMENSIONS	

molex			
1.0 FFC CONN NON ZIF SMT ST ASSY			
PRODUCT CUSTOMER DRAWING			
SERIES	MATERIAL NUMBER	CUSTOMER	
52808	SEE CHART	GENERAL	
DOCUMENT NUMBER		DOC TYPE	DOC PART SHEET NUMBER
528081003		PSD	000 1 OF 3



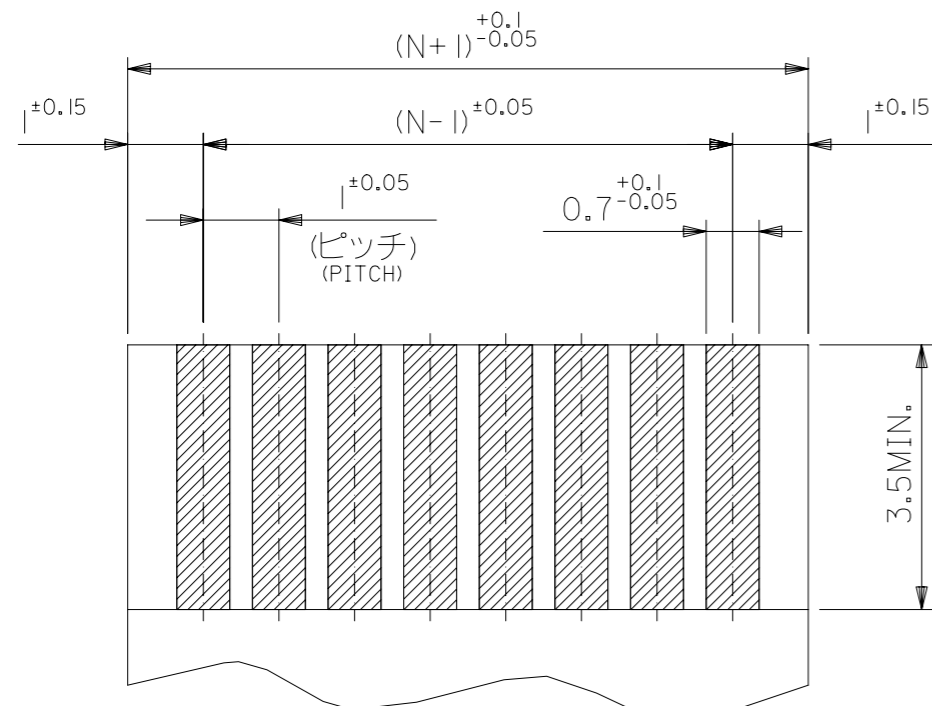
推奨基板レイアウト
 RECOMMENDED P.C.BOARD PATTERN DIMENSION
 (マウント面)
 (MOUNTING SIDE)

参考メタルマスク厚 : 120μm
 参考メタルマスク開口率 : 100%
 REFERENCE SCREEN THICKNESS : 120μm
 REFERENCE SCREEN OPEN RATIO : 100%

注記 NOTES

1. 使用材料 MATERIAL
 ハウジング : ポリフェニレンサルファイド(PPS) ナチュラル(白色) ガラス充填 UL94V-0
 HOUSING POLY PHENYLENE SULFIDE NATURAL(WHITE) GLASS FILLED UL94V-0
 ターミナル : リン青銅(t=0.25)
 TERMINAL PHOSPHOR BRONZE (t=0.25)
2. めっき仕様 PLATING
 ターミナル TERMINAL
 接点部 : 金メッキ(0.1μm以上)
 半田付部 : 錫メッキ(1.0μm以上)
 下地 : ニッケルメッキ(1.0μm以上)
 CONTACT PORTION : GOLD PLATING (0.1μm MIN)
 SOLDERING PORTION : TIN PLATING (1.0μm MIN)
 UNDER PLATING : NICKEL PLATING (1.0μm MIN)
3. 基準面 E からのソルダータールの半田付け面のズレ量は、
 上方向に0.1MAX、下方向に0.15MAXとする。
 MISALIGNMENT OF SOLDER TAIL FROM E
 UPPER DIRECTION 0.1 MAX , LOWER DIRECTION 0.15 MAX.
4. 偶数極に適用。
 APPLY FOR EVEN CKT.
5. 本製品は 52808シリーズの金メッキ品です。
 THIS PRODUCT IS Au PLATING OF 52808 SERIES.
6. ELV 及び RoHS適合品。
 ELV AND RoHS COMPLIANT.

THIS DRAWING CONTAINS INFORMATION THAT IS PROPRIETARY TO MOLEX ELECTRONIC TECHNOLOGIES, LLC AND SHOULD NOT BE USED WITHOUT WRITTEN PERMISSION										
RELEASED	2016/01/18	GENERAL TOLERANCES (UNLESS SPECIFIED)		DIMENSION UNITS	SCALE					
	2016/01/28	ANGULAR TOL ± 1.0 °		mm	1:1					
	2016/01/28	4 PLACES ± 0.05	DRWN BY	DATE		1.0 FFC CONN NON ZIF SMT ST ASSY				
	MTAKAHASHI04	3 PLACES ± 0.1	MTAKAHASHI04	2016/01/18						
	TKUSUHARA01	2 PLACES ± 0.2	CHK'D BY	DATE						
TKUSUHARA01	1 PLACE ± 0.2	KTAKAHASHI	DATE		PRODUCT CUSTOMER DRAWING					
EC NO: 102654	0 PLACES ± 0.2	TKUSUHARA01	2016/01/28	APPR BY	DATE	SERIES	MATERIAL NUMBER	CUSTOMER		
DRWN: MTAKAHASHI04	DRAFT WHERE APPLICABLE MUST REMAIN WITHIN DIMENSIONS		DRAWING SIZE	THIRD ANGLE PROJECTION		52808	SEE CHART	GENERAL		
CHK'D: TKUSUHARA01	A3	A				DOCUMENT NUMBER	DOC TYPE	DOC PART	SHEET NUMBER	
APPR: TKUSUHARA01	A		A		528081003		PSD	000	2 OF 3	



(仕上り厚さ : 0.3 ± 0.03)
 (THICKNESS : 0.3 ± 0.03)
 適合金メッキFPC/FFC推奨寸法
 APPLICABLE GOLD FPC/FFC
 RECOMMENDED DIMENSION

FPC/FFCについて

打ち抜き方向は導体側から補強板側を推奨致します。
 導体部については軟箔銅35μmまたは50μmを推奨致します。
 接着剤の接点部への付着は導通不良の原因になりますので、染み出しが無い様お願い致します。
 FPC/FFCに規定された定格温度がFPC/FFC単体前提である場合が御座います。
 コネクタと組み合わせての実使用において、接着層が劣化する等の信頼性を満足できないケースを回避する為、
 実機での評価/確認をお願い致します。

ABOUT FPC/FFC

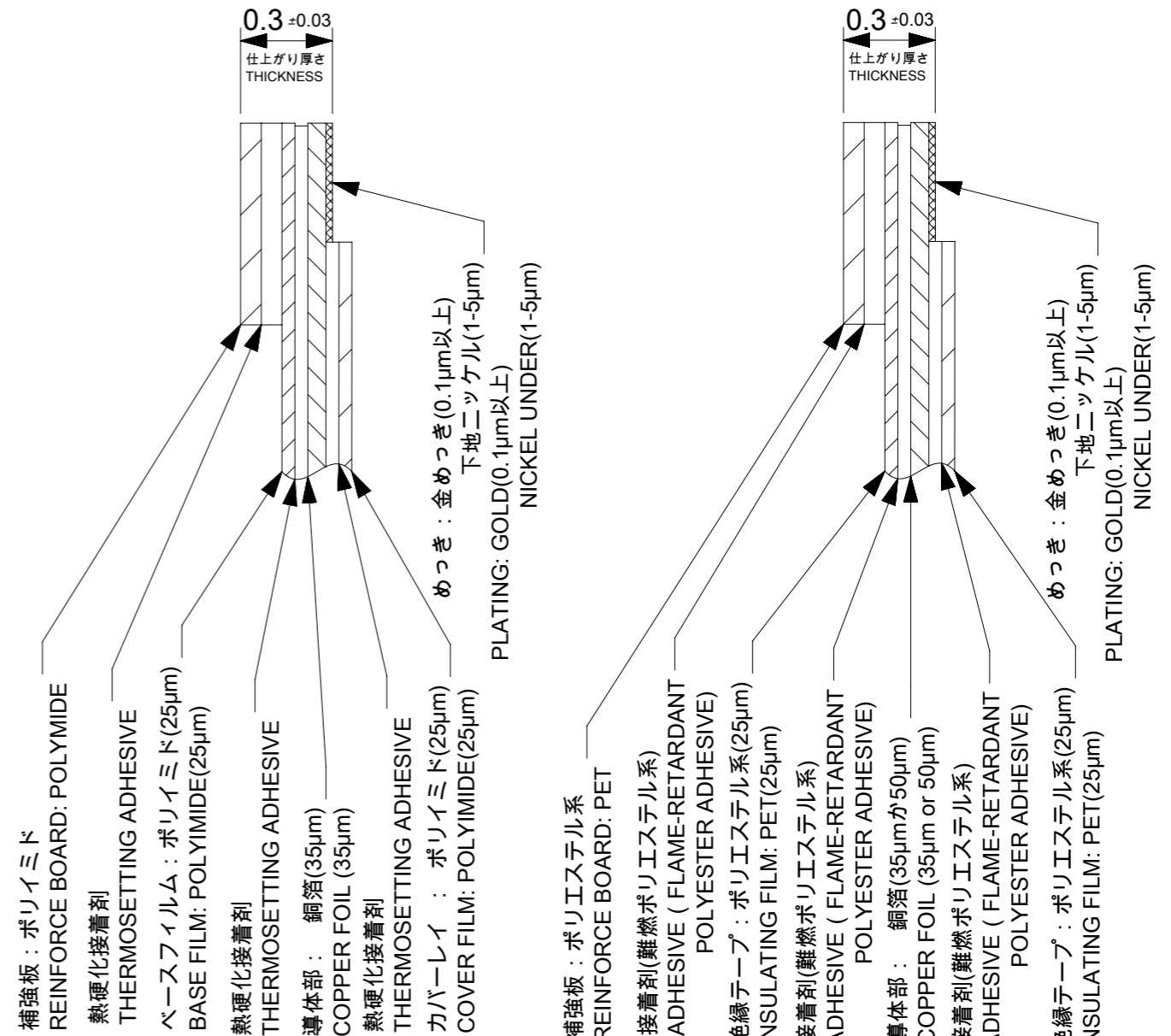
RECOMMENDED PUNCHING DIRECTION: FROM CONDUCTOR SIDE TO STIFFENER SIDE
 RECOMMENDED CONDUCTOR SPEC: SOFT COPPER FOIL
 RECOMMENDED CONDUCTOR THICKNESS: 35 MICROMETER OR 50 MICROMETER
 PLEASE PUT APPROPRIATE AMOUNT OF ADHESIVE ON ADHEREND BECAUSE THERE IS
 A POSSIBILITY THAT EXTRA ADHESIVE CAUSES THE DEFECT IN ELECTRICAL CONTINUITY
 THE HEAT RESISTANCE OF FFC IS ONLY FFC SPEC
 TO PREVENT THE CASE THAT RELIABILITY CANNOT BE SATISFIED (THE ADHESIVE IS
 DETERIORATED etc.) PLEASE DO THE EVALUATION AND THE CONFIRMATION WITH
 ACTUAL CONNECTER

FPCについて

補強フィルム材質はポリイミドを推奨します。ベースフィルムは25μmを推奨します。
 接着剤は熱硬化接着剤を推奨します。

ABOUT FPC

RECOMMENDED STIFFENER MATERIAL: POLYIMIDE
 RECOMMENDED BASE FILM THICKNESS: 25 MICROMETER
 RECOMMENDED ADHESIVE: THERMOSETTING ADHESIVE



THIS DRAWING CONTAINS INFORMATION THAT IS PROPRIETARY TO MOLEX ELECTRONIC TECHNOLOGIES, LLC AND SHOULD NOT BE USED WITHOUT WRITTEN PERMISSION

EC NO: 102654 DRWN: MTAKAHASHI04 CHK'D: TKUSUHARA01 APPR: TKUSUHARA01	2016/01/18 2016/01/28 2016/01/28	GENERAL TOLERANCES (UNLESS SPECIFIED) ANGULAR TOL $\pm 1.0^\circ$	DIMENSION UNITS: mm SCALE: 1:1	
	4 PLACES ± 0.05 3 PLACES ± 0.1 2 PLACES ± 0.2 1 PLACE ± 0.2 0 PLACES ± 0.2	DRWN BY: MTAKAHASHI04 DATE: 2016/01/18	PRODUCT CUSTOMER DRAWING	
	DRAFT WHERE APPLICABLE MUST REMAIN WITHIN DIMENSIONS	CHK'D BY: KTAKAHASHI DATE: 2016/01/28	SERIES: 52808 MATERIAL NUMBER: SEE CHART CUSTOMER: GENERAL	
	A3 	APPR BY: TKUSUHARA01 DATE: 2016/01/28	DOCUMENT NUMBER: 528081003 DOC TYPE: PSD DOC PART: 000 SHEET NUMBER: 3 OF 3	