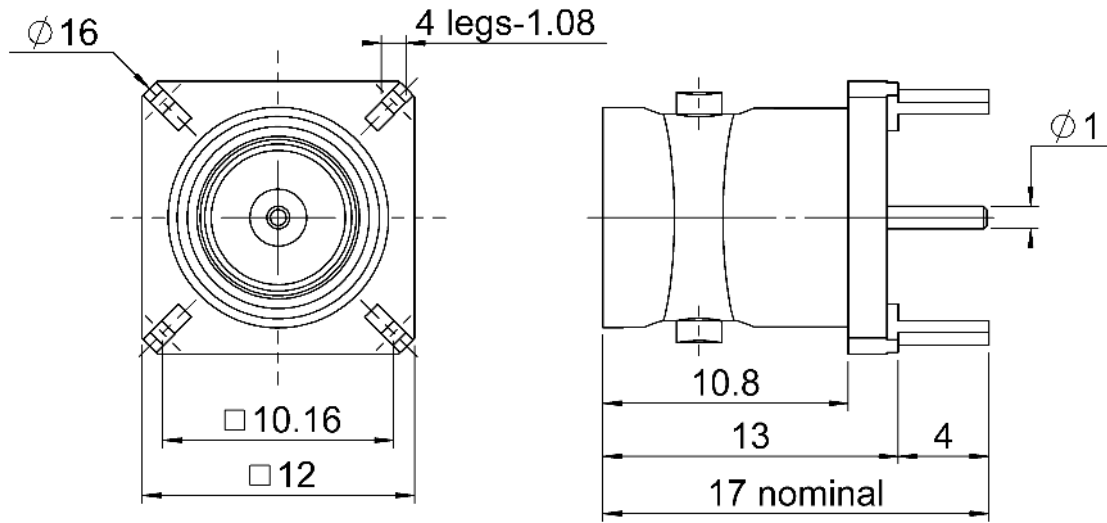
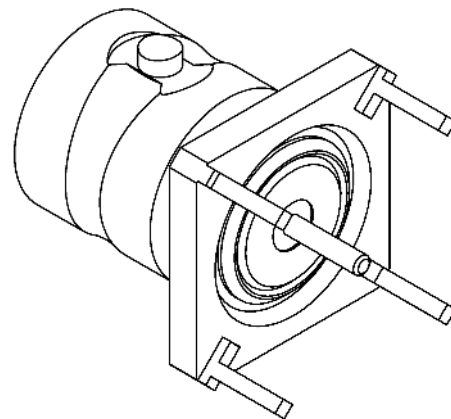
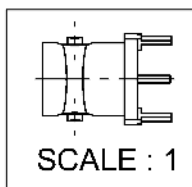
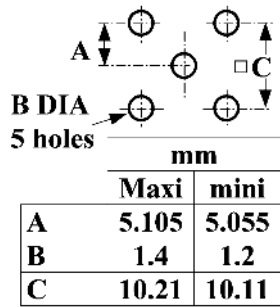


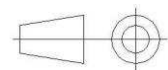
PAGE 1/2	ISSUE 1450M	SERIES BNC-COM	PART NUMBER R141426161
----------	-------------	-----------------------	-------------------------------



PANEL CUT OUT



All dimensions are in mm.



COMPONENTS	MATERIALS	PLATING (µm)
Body	BRASS	BBR
Center contact	BRASS	GOLD OVER NICKEL
Outer contact	-	-
Insulator	PTFE	-
Gasket	-	-
Others parts	-	-
-	-	-
-	-	-

PAGE 2/2	ISSUE 1450M	SERIES BNC-COM	PART NUMBER R141426161
----------	-------------	-----------------------	-------------------------------

PACKAGING

Standard	Unit	Other
100	Contact us	Contact us

ELECTRICAL CHARACTERISTICS

Impedance		50	Ω
Frequency		0-1.5	GHz
VSWR	1.08	+	0.0060 x F(GHz) Maxi
Insertion loss		.025*	√F(GHz) dB Maxi
RF leakage	- (NA	- F(GHz)) dB Maxi
Voltage rating		500	Veff Maxi
Dielectric withstanding voltage		1500	Veff mini
Insulation resistance		5000	MΩ mini

ENVIRONMENTAL

Operating temperature	-35/+70	°C
Hermetic seal	NA	Atm.cm3/s
Panel leakage	NA	

MECHANICAL CHARACTERISTICS

Center contact retention			
Axial force – Mating End		15	N mini
Axial force – Opposite end		15	N mini
Torque		NA	N.cm mini

SPECIFICATION

OTHER CHARACTERISTICS

Recommended torque			
Mating		NA	N.cm
Panel nut		NA	N.cm

Assembly instruction:

Mating life		100	Cycles mini
Weight		4.2040	g

Others:

*** Coaxial Transmission Line Only**