

5

4

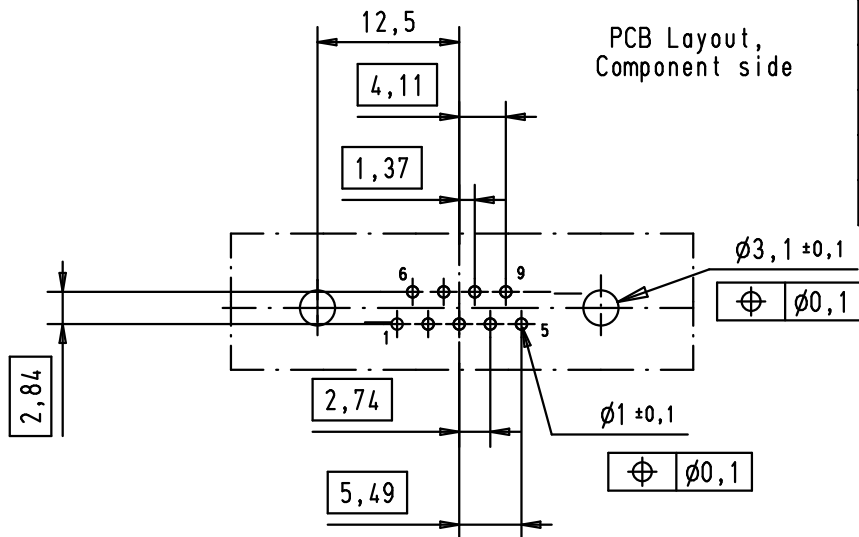
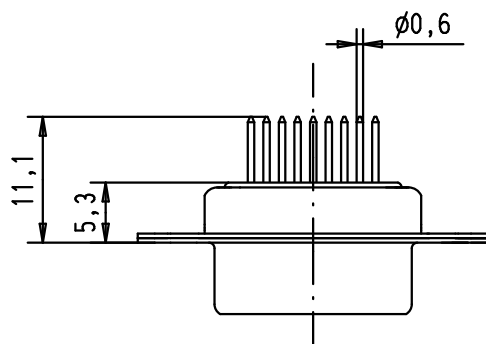
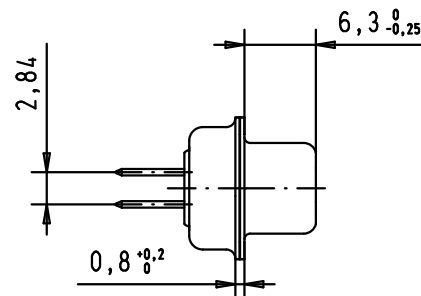
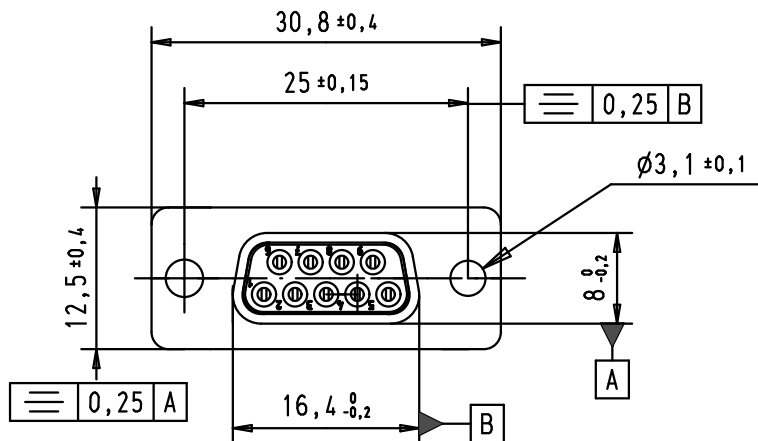
3

2

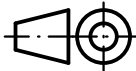

1

SPECIFICATION

Performance level	PL2
Filter type	C
Capacitance	3900pf±20%
Working Voltage	100v
Current Rating	7.5A
Insulation Resistance	>1GΩ



FREQUENCY (MHz)	ATTENUATION (dB)
5	6dB
10	11dB
50	25dB
100	35dB
500	35dB
1000	32dB

Mod.	Dot.	Name	Detail.	Dot.	Name	 All Dim. in mm Orig. Size DIN A 4	D-Sub, female, straight 9 Poles, with turned solder pin, fixing hole	Mo?Mstab/ Scale 1.5:1
			Insp.	09/12/11	JB			
36283	09/12/11	SD	Stand.					
32802	11/07/05	JMDR	HARTING EURL F-95972 Paris				TB 09641127240	Blatt/ Page 1 / 1
31058	8-JUL-02	CV						
						Sub.		