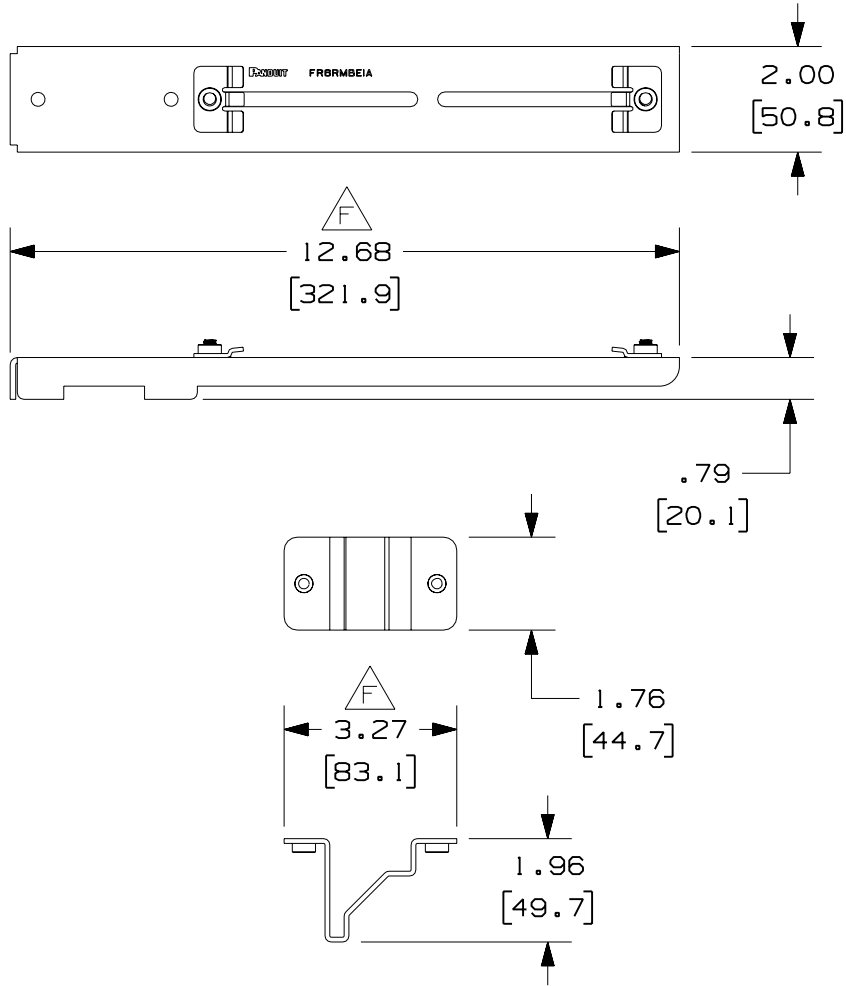


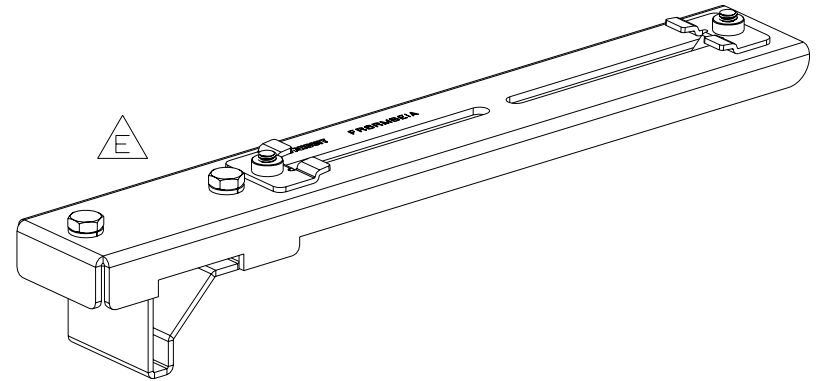
THIS COPY IS PROVIDED ON A RESTRICTED BASIS AND IS NOT TO BE USED IN ANY WAY DETRIMENTAL TO THE INTERESTS OF PANDUIT CORP.



PANDUIT PART NUMBER	WEIGHT
FR6RMBE1A	1.38 LB/EACH (626g/EACH)

NOTES:

- SEE CURRENT CATALOG FOR ADDITIONAL PART SUFFIXES TO INDICATE PACKAGE QUANTITY.
- THE FIBERRUNNER 4x4 AND 6x4 QUIKLOCK EIA/TIA RACK MOUNT BRACKET IS USED TO SUPPORT THE FIBERRUNNER 4x4 AND/OR 6x4 CABLE ROUTING SYSTEMS FROM THE FRONT OR REAR TOP RAIL OF THE EIA/TIA RACK WITHOUT THE NEED FOR THREADED ROD.
- THE FIBERRUNNER 4x4 AND 6x4 QUIKLOCK EIA/TIA RACK MOUNT BRACKET INCLUDES:
ONE (1) BRACKET ASSEMBLY,
ONE (1) RETAINER BRACKET ASSEMBLY,
TWO (2) 1/4-20x1/2 HEX HEAD CAP SCREWS,
TWO (2) 1/4 HELICAL SPRING LOCKWASHERS.
- FINISH COLOR: BLACK (EXCEPT FOR HARDWARE)
- DIMENSIONS IN PARENTHESES ARE IN METRIC.



ENG. REF.: D38022CK_DC_FR6RMBE1A_02.prt

CAD FILENAME/LAYERS: FR6RMBE1A.pdf

REV	DATE	BY	CHK	DESCRIPTION	ECN	R	CUST	SUP	GMBH
-	-----	---	---	I. REVISED GENERAL NOTES.	-----	--	--		
3	7-31-06	DTP	RN	H. REVISED PART WEIGHT. G. REVISED DRAWING TITLE.	38022-45	RN	RN		
-	-----	---	---	F. RELOCATED DIMENSION.	-----	--	--		
-	-----	---	---	E. REVISED PART GEOMETRY. D. REVISED GENERAL NOTES.	-----	--	--		
2	2-24-05	MSO	RPA	C. REVISED DRAWING TITLE. B. REVISED CAD FILENAME.	38022-45	RN	RN		
1	11-21-01	JHNU	CVV	A. REVISED MATERIAL NOTE.	38022-45	HIW	HIW		
R	9-25-01	MSO	CVV	RELEASED TO PRODUCTION	38022-45	HIW	HIW		

PANDUIT CORP TINLEY PARK, ILLINOIS

FIBERRUNNER 4x4 AND 6x4 QUIKLOCK EIA/TIA RACK MOUNT BRACKET (FR6RMBE1A) CUSTOMER DRAWING

UNLESS OTHERWISE SPECIFIED, DIMENSIONAL TOLERANCES ARE:
(.X) ± (.XXX) ±
(.XX) ± .03 (.8) ANGLES ±

UNLESS OTHERWISE SPECIFIED, ALL DIMENSIONS ARE GIVEN IN INCHES, THIRD ANGLE PROJECTION.

SCALE: NONE

DRAWING NO. 38022-45 DWG SIZE A

DRAWN BY: MSO
DATE: 9-25-01
CHK'D: CVV

MAT'L: STEEL