

NOTES: UNLESS OTHERWISE SPECIFIED

1. CONSTRUCTION:

HOUSING & PLUNGER: MOLDED NYLON. 10/11% GLASS FILLED. AVAILABLE IN TEN COLORS.

CONTACT BLADE: PASSIVATED STAINLESS STEEL
COMPRESSION SPRING: STAINLESS STEEL.

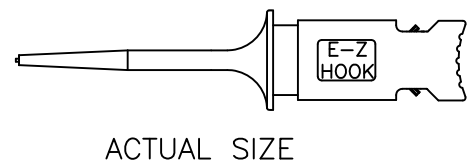
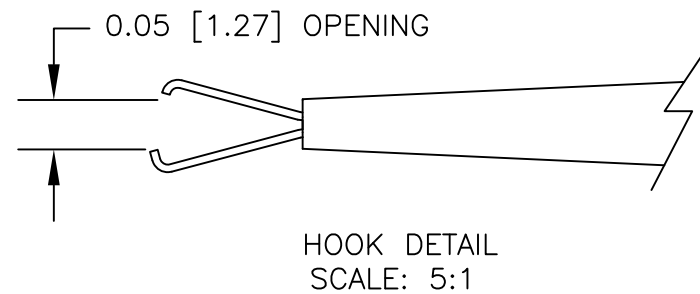
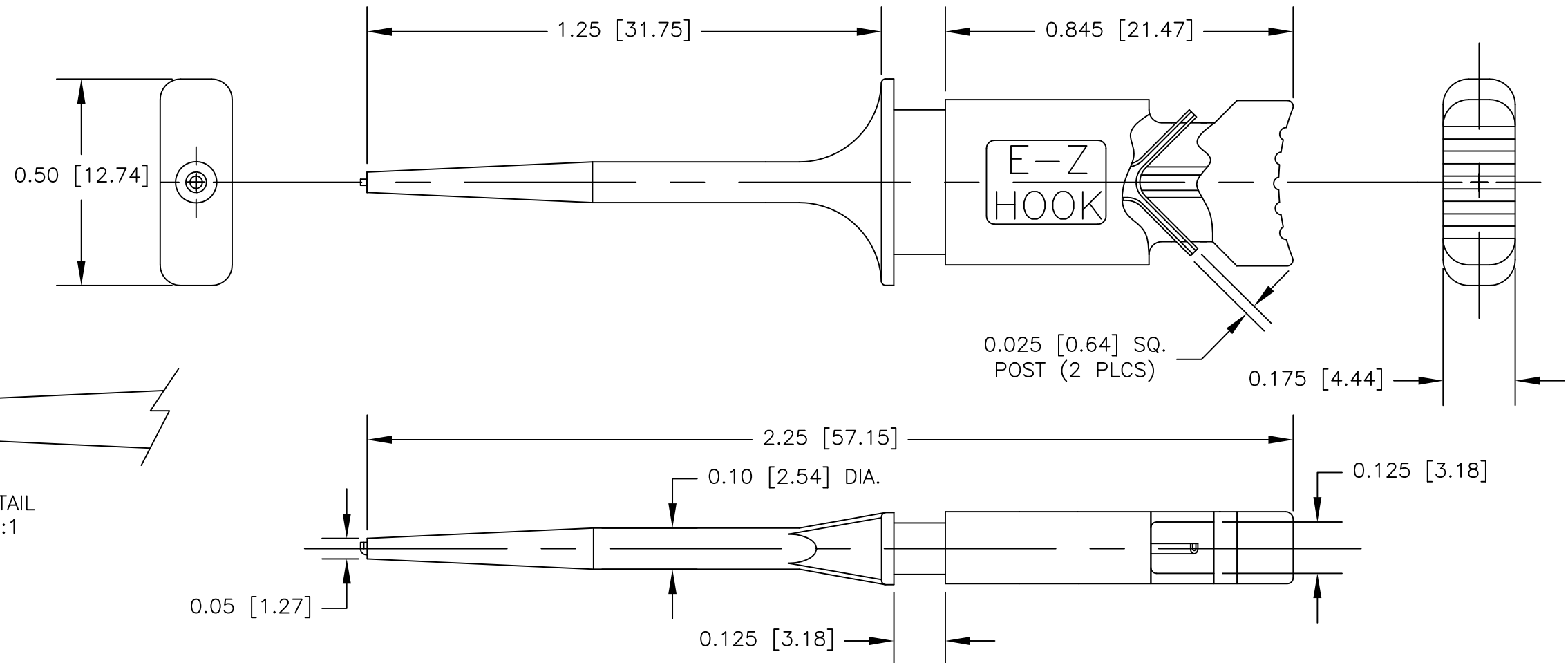
2. FEATURES:

HOOK FITS COMPONENTS UP TO $\phi 0.05$ [$\phi 1.27$].

PINS EXIT PLUNGER ON EITHER SIDE.

PINS PERMIT CONNECTION TO 0.025^2 [0.64^2]
OR $\phi 0.03$ [$\phi 0.76$] SOCKETS.

LTR	REVISIONS		DATE	APPROVED
	DESCRIPTION			



ACTUAL SIZE

		UNLESS OTHERWISE SPECIFIED DIMENSIONS ARE IN INCHES TOLERANCES ARE: FRACTIONS DECIMALS ANGLES ± .XX ± ± .XXX ±	CONTRACT NO.		E-Z-HOOK DIVISION OF TEKTEST INC. ARCADIA, CA 91006 U.S.A.
			APPROVALS	DATE	
		MATERIAL SEE NOTE.	DRAWN R.L.	6/09	DESCRIPTION E-Z-MICRO HOOK GRIPPER TEST CONNECTOR
		FINISH SEE NOTE.	APPROVED BY		SIZE B
NEXT ASSY	USED ON				CODE IDENT NO. 08505
APPLICATION		DO NOT SCALE DRAWING			DRAWING NO. XKM
					REV.
					SCALE 3:1
					SHEET 1 OF 1