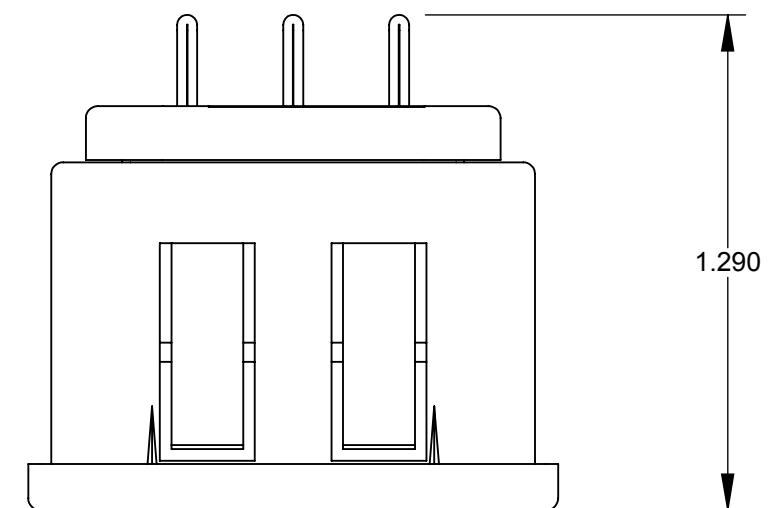
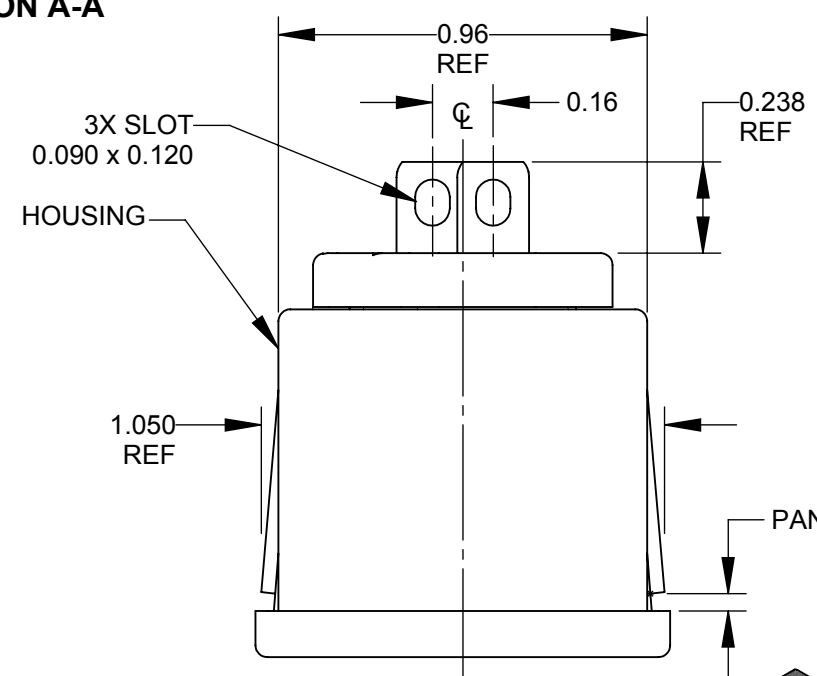
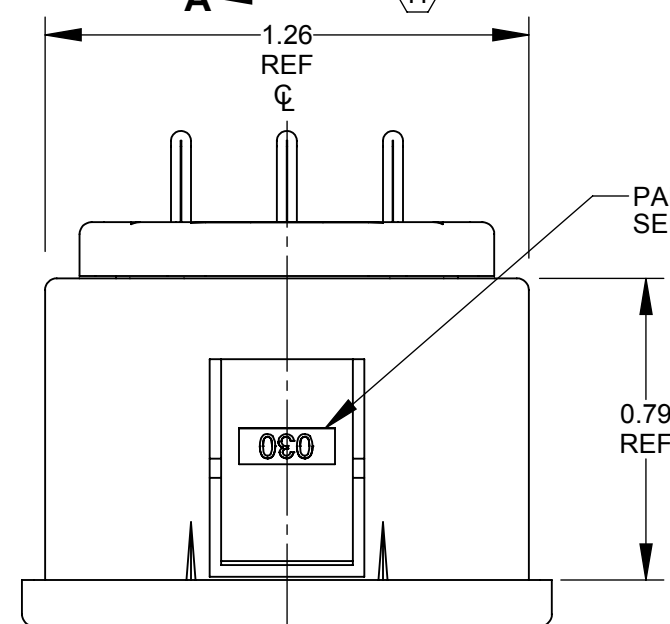
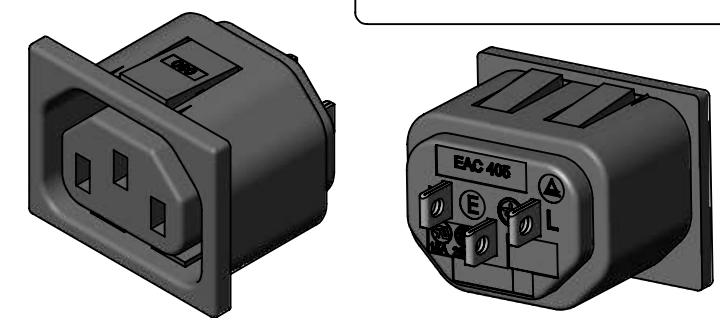


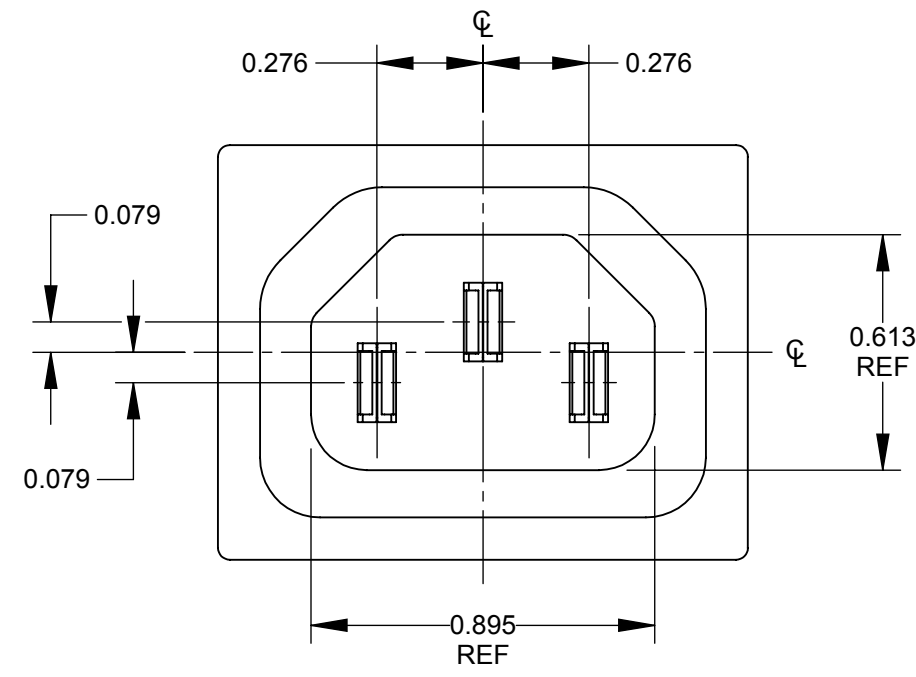
PART NUMBER	PANEL ID NUMBER	PANEL THICKNESS
EAC405030	030	0.026-0.040
EAC405040	040	0.036-0.050
EAC405050	050	0.046-0.060
EAC405060	060	0.056-0.070



- NOTES:**
1. MEETS IEC 60320 SPECIFICATION
 2. AGENCY APPROVAL & RATING:
UL & CSA: 15A, 250V AC.
 3. MATERIALS:
HOUSING, BLACK POLYESTER
COVER, BLACK POLYESTER
CONTACTS, TIN PLATED COPPER ALLOY



CUSTOMER DRAWING



REV	ECO NUMBER	DATE	BY	APVD
H	28175	6/4/19	TJK	TJK
G	26912	02/16/12	BL	TJK
F	25129	03/27/02	BL	TJK
REVISIONS				

UNLESS OTHERWISE SPECIFIED

1. ALL DIMENSIONS IN INCHES

- TWO PLACE DECIMALS ±0.02

- THREE PLACE DECIMALS ±0.005

DO NOT SCALE DRAWING

THIS DRAWING DESCRIBES A DESIGN CONSIDERED PROPRIETARY IN NATURE, DEVELOPED AND MANUFACTURED BY SWITCHCRAFT INC. AND IS RELEASED ON A CONFIDENTIAL BASIS FOR IDENTIFICATION PURPOSES ONLY.				
SIZE	WIDTH	MULT	LBS/M	TEMPER
FINISH SPEC No.		MATERIAL SPEC No.		
FIRST USED ON		SCALE 2:1		
DATE DRAWN	BY	CHKD	APVD	
11/03/86	LH	AM	RP	
		11/17/86	05/06/87	
NAME			PART No.	REV
SNAP-IN FEMALE RECEPTACLE			EAC405 SERIES	H
SHEET 1 OF 1				