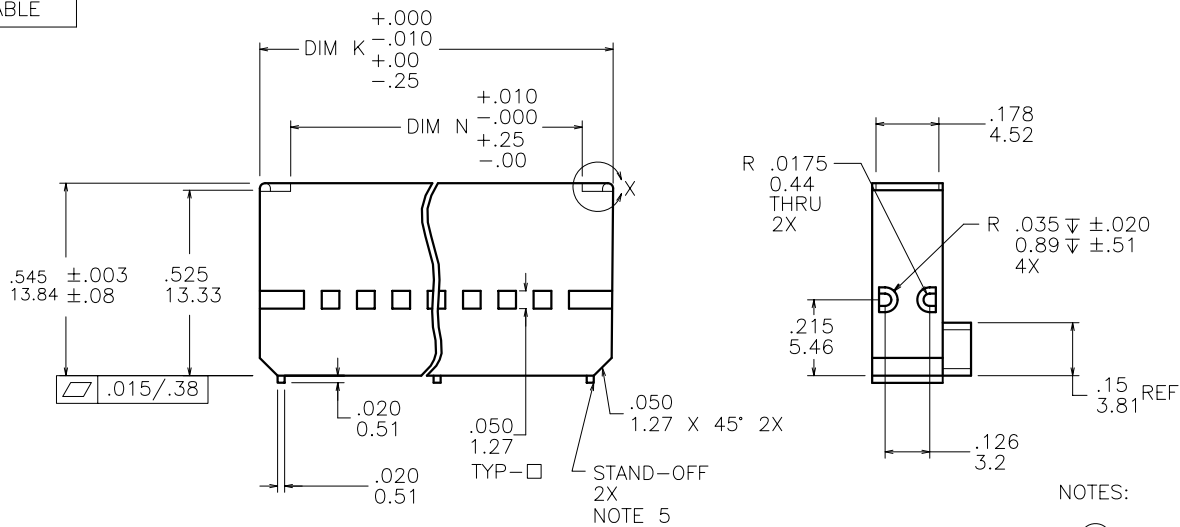


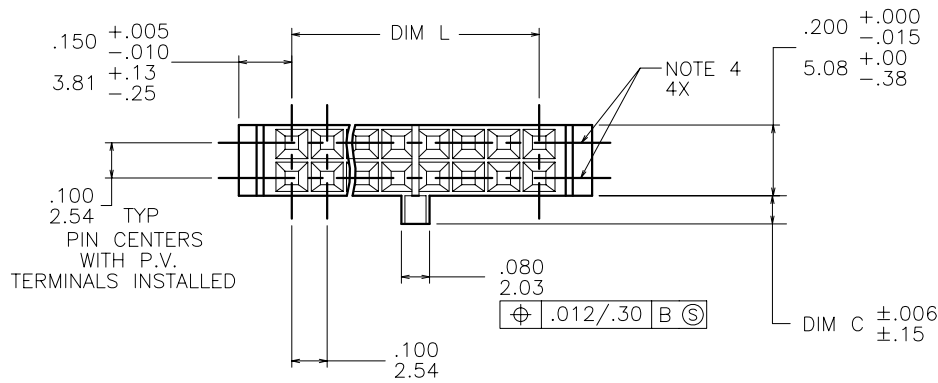
PRODUCT NO.

SEE TABLE



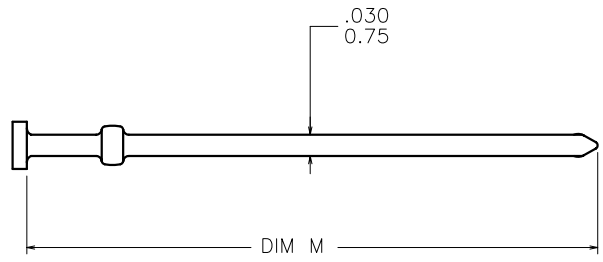
NOTES:

- ① MOLDING MATERIAL: MODIFIED POLYPHENYLENE ETHER, FLAME RETARDANT PER UL-94V-0, COLOR: BLACK.
2. PIN LENGTH TO BE .210/5.33 MIN. RECOMMENDED PIN LENGTH IS .225±.015/5.72±.38.
- ③ RETENTION ROD TO BE INCLUDED WITH MINI ROD HOUSING (QUANTITY 2 PER HSG). RETENTION RODS TO BE TRIMMED AFTER INSERTION.
- ④ END 2 POSITIONS ARE MOLDED CLOSED—BOTH ENDS.
- ⑤ CENTER STAND-OFF ON 2X13 AND LARGER HOUSINGS ONLY.
6. PRODUCT MEETS EUROPEAN UNION DIRECTIVES AND OTHER COUNTRY REGULATIONS AS DESCRIBED IN GS-22-008.
7. THIS PRODUCT IS NOT INTENDED TO BE EXPOSED TO MANUFACTURING SOLDER PROCESSES.
8. PRODUCT SPECIFICATION: BUS-12-067.

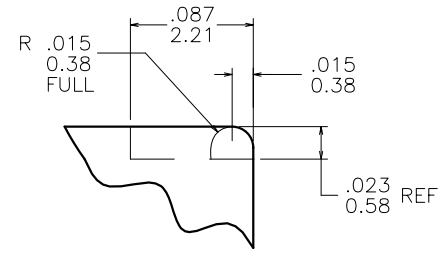


mat'l. code SEE NOTE 1				surface	tolerance	projection	product family PV HOUSINGS
ltr	ec'n no	dr	date	tolerances unless otherwise specified		INCH/MM	title MINI ROD HSG DR POLARIZED WITH LATCHING FEATURE
C	C50094	MSC	1995-11-29	angles	linear		
D	V91206	BKB	1999-07-06			scale 2:1	dwg no 85855
E	V03-1336	PJ	2004-01-22	0°±2'			
F	V05-0717	TAB	2005-07-29	dr	A. RAISTRICK	1990-09-18	sheet 1 of 2 size A3
G	V06-0448	HTB	2006-05-23	engr	C. TREXLER	1990-09-18	
H	V07-0565	HTB	2007-08-27	chr	C. TREXLER	1990-09-18	type Product Customer Drawing
				appd	C. TREXLER	1990-09-18	
sheet index	revision	H	H				
	sheet	1	2				

PRODUCT NO.	NO OF USABLE POS	DIM K	DIM L	DIM C	RETENTION ROD P/N	DIM M	DIM N
86855-006LF	2 X 3	.500/12.70	.200/5.08	.080/2.03	89590-001	2.300/58.42	.325/8.26
86855-010LF	2 X 5	.700/17.78	.400/10.16	.080/2.03	89590-001	2.300/58.42	.525/13.34
86855-014LF	2 X 7	.900/22.86	.600/15.24	.080/2.03	89590-001	2.300/58.42	.725/18.42
86855-016LF	2 X 8	1.000/25.40	.700/17.78	.080/2.03	89590-001	2.300/58.42	.825/20.96
86855-020LF	2 X 10	1.200/30.48	.900/22.86	.080/2.03	89590-001	2.300/58.42	1.025/26.04
86855-024LF	2 X 12	1.400/35.56	1.100/27.94	.080/2.03	89590-001	2.300/58.42	1.225/31.12
86855-026LF	2 X 13	1.500/38.10	1.200/30.48	.080/2.03	89590-001	2.300/58.42	1.325/33.66
86855-030LF	2 X 15	1.700/43.18	1.400/35.56	.080/2.03	89590-001	2.300/58.42	1.525/38.74
86855-034LF	2 X 17	1.900/48.26	1.600/40.64	.080/2.03	89590-002	4.650/118.11	1.725/43.82
86855-040LF	2 X 20	2.200/55.88	1.900/48.26	.080/2.03	89590-002	4.650/118.11	2.025/51.44
86855-044LF	2 X 22	2.400/60.96	2.100/53.34	.080/2.03	89590-002	4.650/118.11	2.225/56.52
86855-050LF	2 X 25	2.700/68.58	2.400/60.96	.080/2.03	89590-002	4.650/118.11	2.525/64.14
86855-060LF	2 X 30	3.200/81.28	2.900/73.66	.080/2.03	89590-002	4.650/118.11	3.025/76.84



RETENTION ROD SEE NOTE 3



VIEW X  
SCALE: 8:1

mat'l. code SEE NOTE 1				surface <input checked="" type="checkbox"/>		tolerance		projection		product family PV HOUSINGS	
ltr	ecrn no	dr	date	tolerances unless otherwise specified		angles linear		INCH/MM		title	
H				0°±2'		.XX±01/XX±3 .XXX±005/XXX±3 XXXX±0020/XXX±051		scale 2:1		MINI ROD HSG DR POLARIZED WITH LATCHING FEATURE	
				dr A. RAISTRICK 1990-09-18		engr C. TREXLER 1990-09-18		chr C. TREXLER 1990-09-18		appd C. TREXLER 1990-09-18	
				sheet index		revision sheet		FCJ		dwg no 85855 sheet 2 of 2 size A3	
										type Product Customer Drawing	



Copyright FCJ