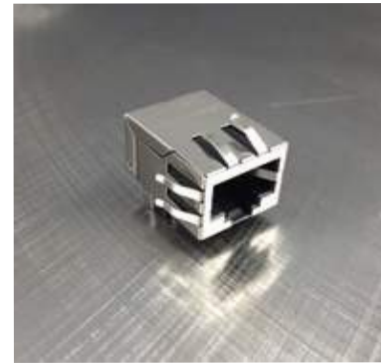




Single Port RJ45 Connector

AR11-4368I

- 10/100/1000 BaseT Gigabit for LAN, WAN and other Ethernet Applications
- Designed to meet: IEEE802.3
- Full EMI Fingers
- Industrial Temp: -40°C to +85°C



Electrical Specifications @ 25°C

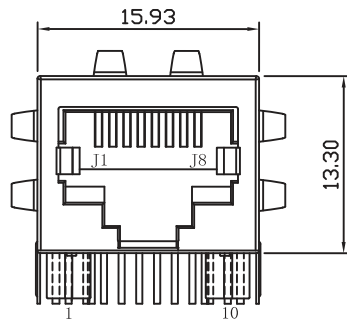
Part Number	OCL(μ H Min) @ 100kHz, 0.1V With 8mA DC Bias	Turns Ratio chip: cable (\pm 3%)	DCR (Ω Max)	Cross Talk (dB Min)		
	1-30MHz			30-60MHz	60-100MHz	
AR11-4368I	350	1CT:1CT	1.2	-40	-35	-30

Electrical Specifications @ 25°C

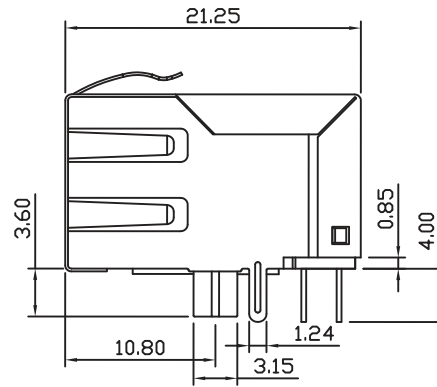
Part Number	Insertion Loss (dB Max)	Common Mode Rejection (dB Max)		Return Loss (dB Min)			Hi-Pot Test
	1~100MHz	1-50MHz	50-150MHz	1-30MHz	30-60MHz	60-100MHz	Min
AR11-4368I	-1.0	-30	-20	-18	-15	-12	1500Vrms

All specifications subject to change without notice.

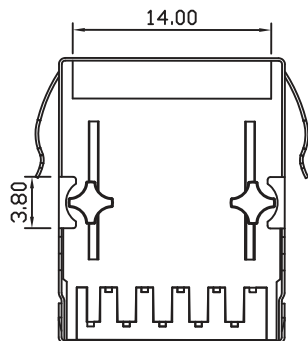
MECHANICAL



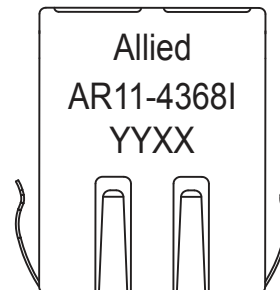
Front Side View



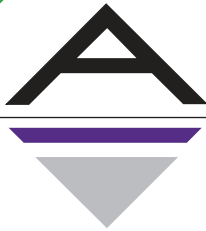
Left Side View



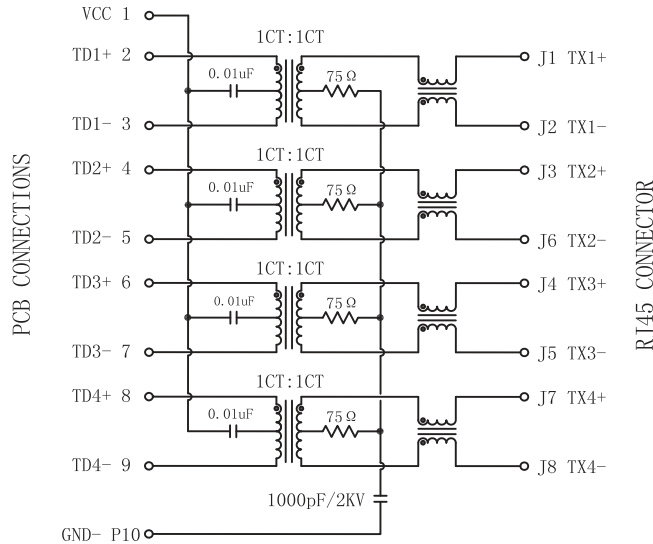
Bottom Side View



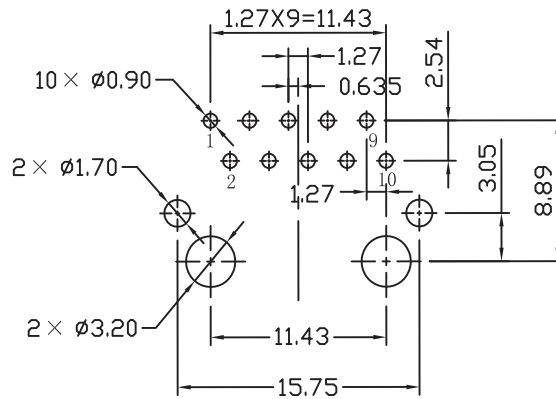
Top Side View



SCHEMATICS



PCB LAYOUT



Suggested PCB Layout (Top View)

NOTES

1. Connector Materials:
 Housing Material: Thermoplastic PBT+30%G. F UL94V-0
 Contact Material: Phosphor Bronze C5210R-EH Thickness=0.35mm
 Pins: Brass C2680R-H Thickness=0.35mm
 Shield: SUS 201-1/2H Thickness=0.2mm
 Contact plating: Gold 6 micro-inches min. In contact area.
2. Wave solder tip temperature: 265°C Max, 5 Sec Max