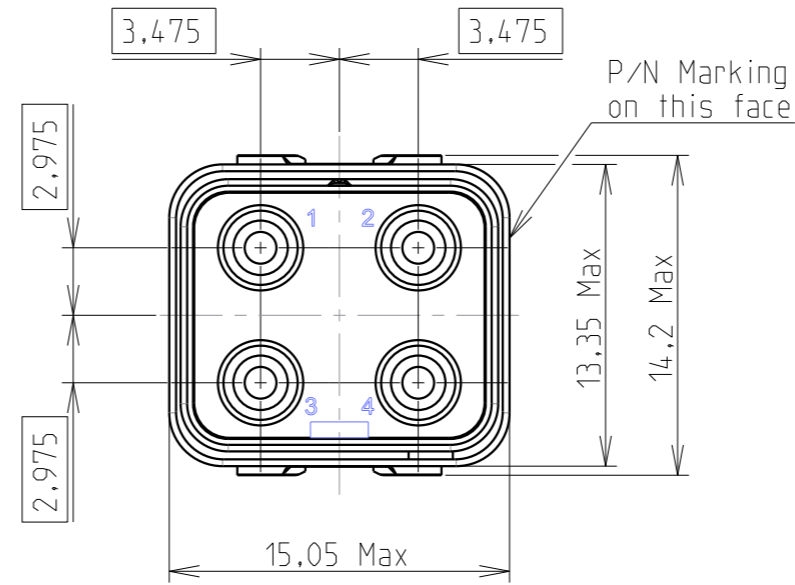
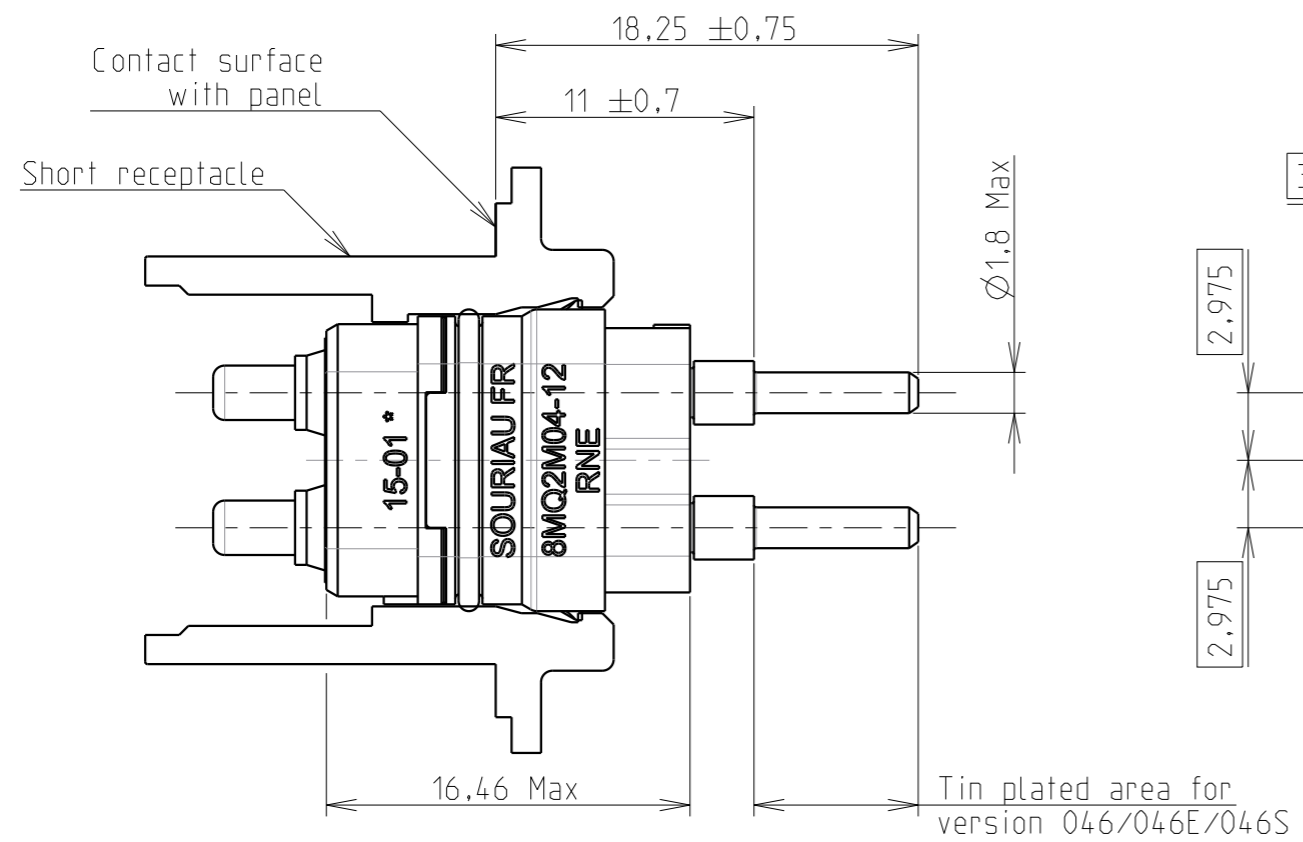
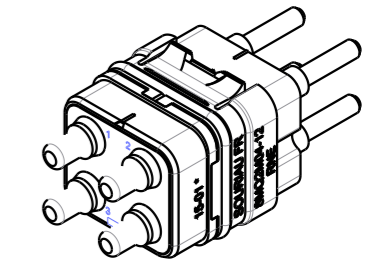
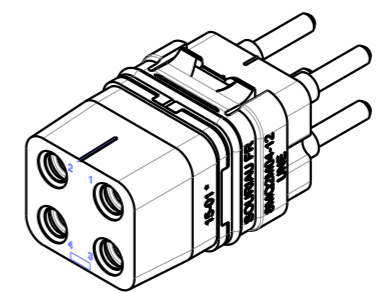


C.2: Validé

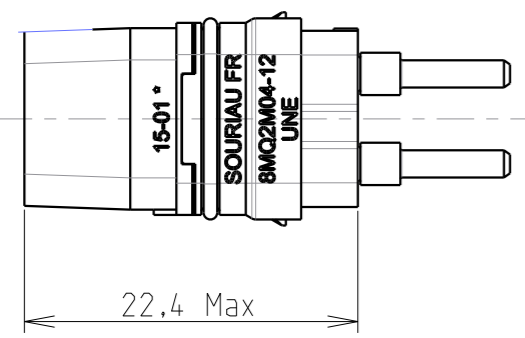


MASS ± 5% (g)	
Male module	9
Female module	10.25



- ### Technical requirements
- 1- According to EN4165
 - 2- Voltage proof test (Sea level) :
- #12 > 1500 V r.m.s.
 - 3- Insulation resistance > 5000 MΩ
 - 4- Climatic sequence : -55 °C / +175 °C
 - 5- Fluid resistance : See standard EN 4165-001 (table 40)
 - 6- Contact retention in insert :
- #12 = 110 N
 - 7- Materials : Thermoplastic and silicone
 - 8- Delivered with protection cap

Female module dimension



(other dimensions are available for male and female module)

BASIC SERIE 8MQ 2 M 04-12 R N E S -
 2 = Serie 2
 M = Module
 Layout
 Dash = No grounding
 R = Male module delivered with contacts
 U = Female module delivered with contacts
 N, A, B, C, D = polarization
 None = Without peripheral sealing
 E = With peripheral sealing
 S = Delivered with protection cap
 None = Pin contact : Gold plated, 0.8 μm mini
 046 = Pin contact : Tin plated over gold - SnPb
 046E = Pin contact : Tin plated over gold - Sn100
 046S = Pin contact : Tin plated over gold - SAC305

SOURIAU shall not be liable for any non-conformity or damage due to a use of the Products which does not comply with the Specifications issued by either of the Parties or by a third party (professional recommendation, technical notice.)

Country	Jurisdiction & Control List
FR	NOT LISTED

P/N : SEE TABLE

C	04/10/18	Update of contact position	23536BH
ISS	DATE	Latest modification - by:	MOD N°
		N.AUFFRET Date:30/03/17	H.SIMIER
Designed by:		CUSTOMER DRAWING	
TITLE		MODULES WITH STRAIGHT PCB CONTACTS - LAYOUT 04-12	
		GAMME 8MQ	
Scale	3/1	General linear Tolerances: ± --	NPRDS / PROJECT BE164803A
Esterline Connection Technologies		WWW.SOURIAU.COM	
This document is the property of SOURIAU. It must not be reproduced or communicated without permission			
FORMAT	SOURIAU DRG N°		SHEET
A3	C012-8MQ-A		1 / 1