

885268203	LC-LC DUP MM OM3 2MM 20M-OR	20000(+200/-0)
885268202	LC-LC DUP MM OM3 2MM 10M-OR	10000(+200/-0)
885268201	LC-LC DUP MM OM3 2MM 5M-OR	5000(+200/-0)
885268200	LC-LC DUP MM OM3 2MM 2M-OR	2000(+200/-0)
MX P/N	DESCRIPTION	LENGTH

NOTES:
 1. DUST CAPS ARE NOT SHOWN
 2. PER CHANNEL @ 850nm
 IL <= 0.50dB

ENTER DESCRIPTION
 EC NO: MF2016-0132 2015/08/24
 DRWN:SDX/E CHKD:
 APPR:HXZOU 2015/08/25
 DESCRIPTION
 REV

QUALITY SYMBOLS
 ▽=0
 ▽=0

GENERAL TOLERANCES (UNLESS SPECIFIED)

	mm	INCH
4 PLACES	±---	±---
3 PLACES	±---	±---
2 PLACES	±---	±---
1 PLACE	±---	±---
ANGULAR ±----°		

DRAFT WHERE APPLICABLE
 MUST REMAIN
 WITHIN DIMENSIONS

DIMENSION STYLE
MM ONLY

DRAWN BY	DATE
XP	2008/08/04
CHECKED BY	DATE
LISA	2008/08/04
APPROVED BY	DATE
JOHNNY	2008/08/04
MATERIAL NO.	
ENTER PART	
SIZE	
A4	

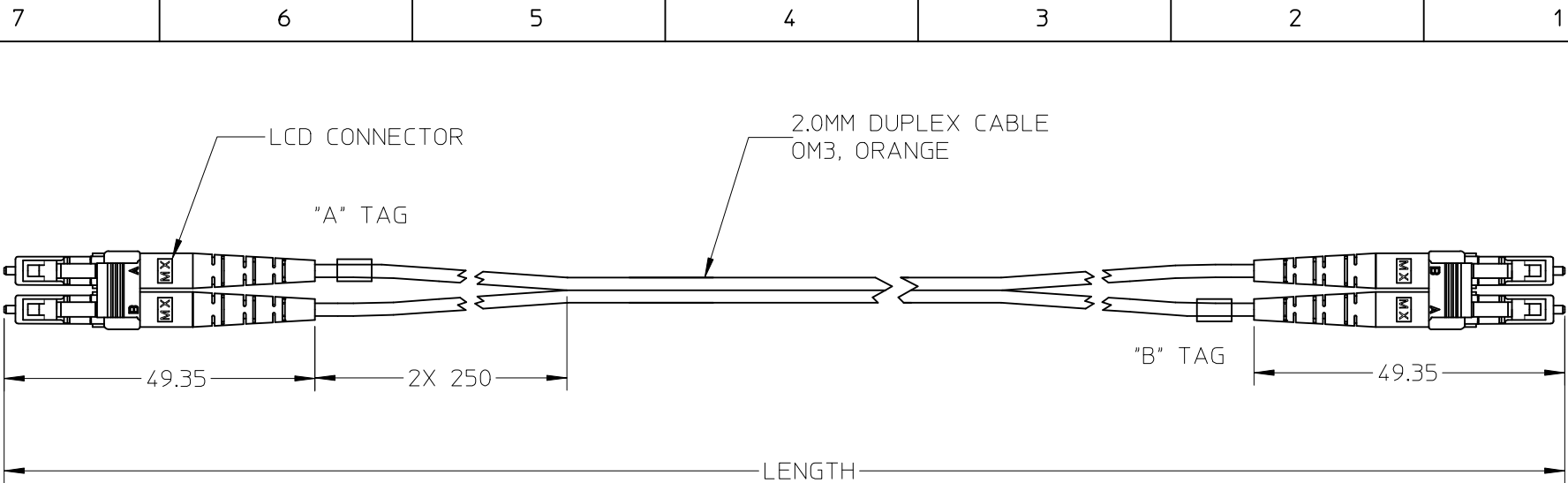
SCALE ---
 DESIGN UNITS METRIC
 THIRD ANGLE PROJECTION

TITLE LC-LC DUP MM OM3 2MM-OR

molex MOLEX INCORPORATED

DOCUMENT NO. SD-88526-055 SHEET NO. 1 OF 00

THIS DRAWING CONTAINS INFORMATION THAT IS PROPRIETARY TO MOLEX INCORPORATED AND SHOULD NOT BE USED WITHOUT WRITTEN PERMISSION



885268203	LC-LC DUP MM OM3 2MM 20M-OR	20000(+200/-0)
885268202	LC-LC DUP MM OM3 2MM 10M-OR	10000(+200/-0)
885268201	LC-LC DUP MM OM3 2MM 5M-OR	5000(+200/-0)
885268200	LC-LC DUP MM OM3 2MM 2M-OR	2000(+200/-0)
MX P/N	DESCRIPTION	LENGTH

NOTES:
 1. DUST CAPS ARE NOT SHOWN
 2. PER CHANNEL @ 850nm
 IL <= 0.50dB

ENTER DESCRIPTION
 EC NO: MF2016-0132 2015/08/24
 DRWN:SDX/E CHKD:
 APPR:HXZOU 2015/08/25
 DESCRIPTION
 REV

QUALITY SYMBOLS
 ▽=0
 ▽=0

GENERAL TOLERANCES (UNLESS SPECIFIED)

	mm	INCH
4 PLACES	± ---	± ---
3 PLACES	± ---	± ---
2 PLACES	± ---	± ---
1 PLACE	± ---	± ---
ANGULAR ± ---°		

DRAFT WHERE APPLICABLE
 MUST REMAIN
 WITHIN DIMENSIONS

DIMENSION STYLE
MM ONLY

DRAWN BY DATE
 XP 2008/08/04

CHECKED BY DATE
 LISA 2008/08/04

APPROVED BY DATE
 JOHNNY 2008/08/04

MATERIAL NO.
ENTER PART

SIZE
 A 4

SCALE

DESIGN UNITS
METRIC

THIRD ANGLE PROJECTION

TITLE
LC-LC DUP MM OM3 2MM-OR

molex MOLEX INCORPORATED

DOCUMENT NO. SHEET NO.
SD-88526-055 1 OF 00

THIS DRAWING CONTAINS INFORMATION THAT IS PROPRIETARY TO MOLEX INCORPORATED AND SHOULD NOT BE USED WITHOUT WRITTEN PERMISSION