

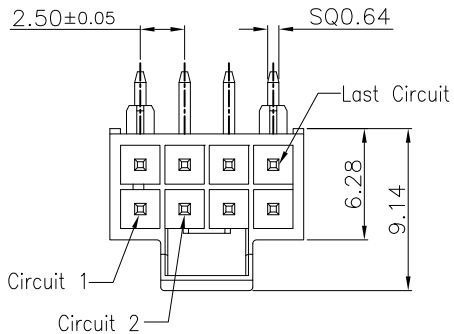
1

2

3

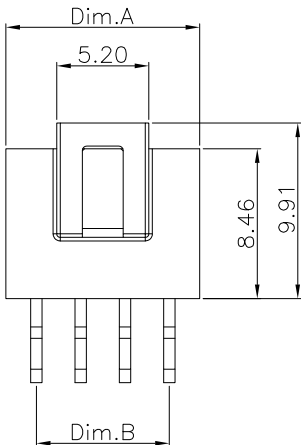
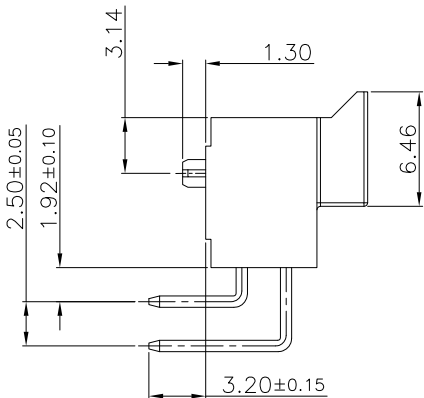
4

5

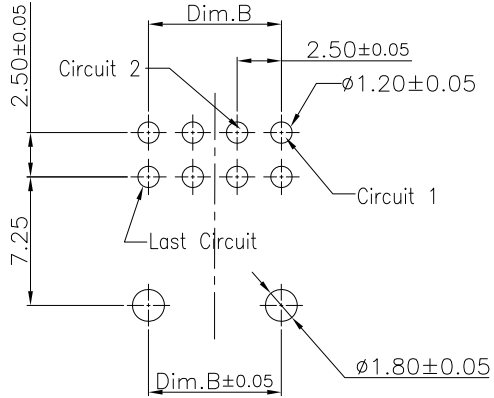


Specifications:  
 Current rating:6.5A AC,DC  
 Voltage rating:250V AC, DC  
 Contact testistance:10m ohm Max  
 Insulation resistance:1000M ohm Min  
 Withstanding voltage:AC 1500V AC/minute  
 Operating Temperature:-40°C ~ +105°C

Materials:  
 Insulator:High Temp Plastic (LCP UL94V-0)  
 Insulator Color:Black  
 Terminal:Brass  
 Finish:Tin Plated



Circuits	Dimension	
	A	B
4	5.94	2.50
6	8.44	5.00
8	10.94	7.50
10	13.44	10.00
12	15.94	12.50
14	18.44	15.00
16	20.94	17.50
18	23.44	20.00



P.C.B Layout

RoHS Compliant

REV	DATE	FILE	BY
	17-Nov-2020		

DRAWN:  
 CHECKED:  
 APPROVAL:

GENERAL TOLERANCE:  
 .X=±0.20  
 .XX=±0.15  
 UNIT: MM  
 SCALE:1:1  
 SHEET: 1 / 1  
 PROJECTION:

**CnC Tech**  
 Industrial Cable and Connector Technology  
 DESCRIPTION: Wire To Board Header,2.5mm, R/A, Tin Plated, Front Lock  
 PART NO: 54025-XX-0200-01

SIZE  
 A4