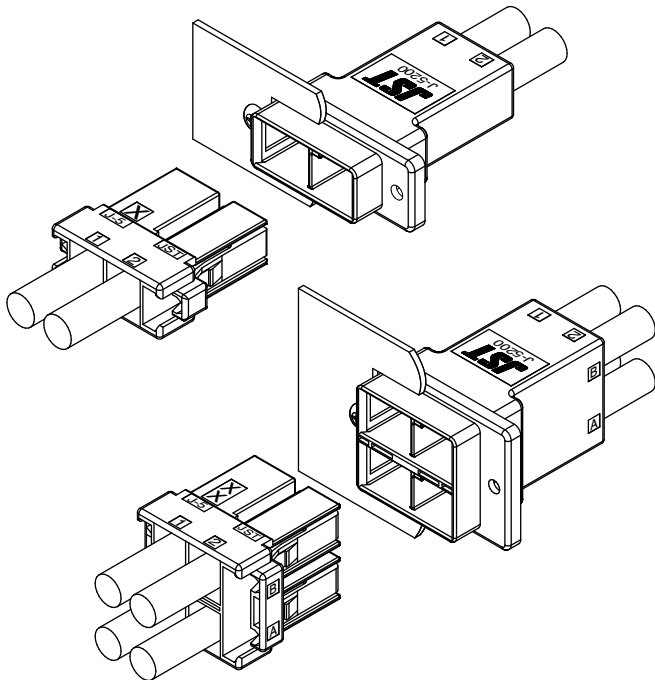


JFA CONNECTOR J5000 SERIES

11.0 mm pitch/Disconnectable Crimp style Wire-to-wire connectors



This connector is corresponding to large current up to 50 A with single circuit (when using AWG #8). The 4 and 6 circuits of the J5200 series Dual-row type can select either the bulk insertion of the receptacle housing or the module types.

- High current capacity
- Dual-spring construction
- Housing lance
- Clear “click feeling”

Standards

UL : Recognized E 60389

Specifications

- Current rating: AC/DC

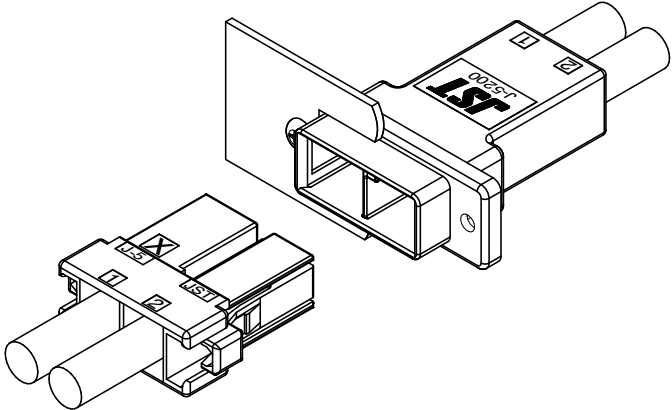
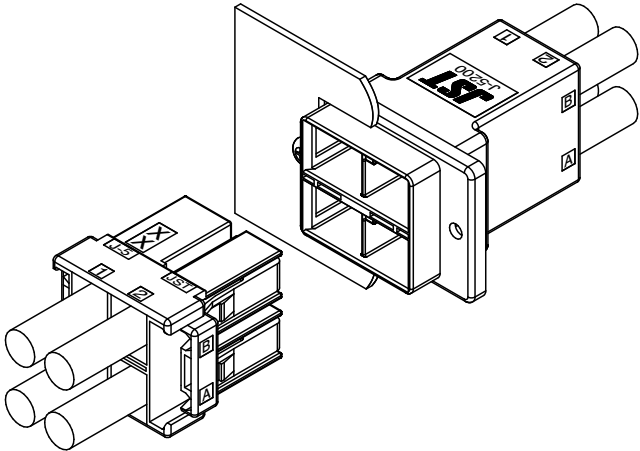
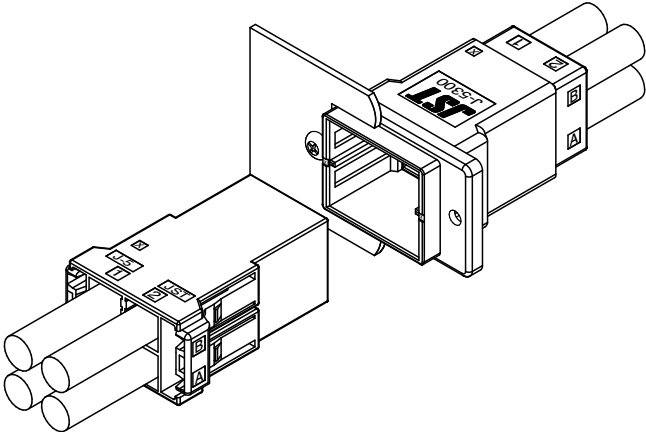
Current unit: A

No. of circuits	Wire size (AWG)				
	#8	#10	#12	#14	#16
1	50	37	30	24	20
2	45	34	28	22	18
3	43	34	27	21	17
4	42	32	26	20	16
6	40	32	26	20	16
10	35	28	22	17	14

- Voltage rating: 600 V AC/DC
- Temperature range: -55°C to +105°C (including temperature rise in applying electrical current)
- Applicable wire: AWG #16 to #8
- * Please note that the above general specifications may differ from the safety standards.
- * In using the products, refer to “Handling Precaution for Terminals and Connectors” described on our website (Technical documents of Product information page).
- * RoHS2 compliance
- * Dimensional unit: mm
- * Contact JST for details.

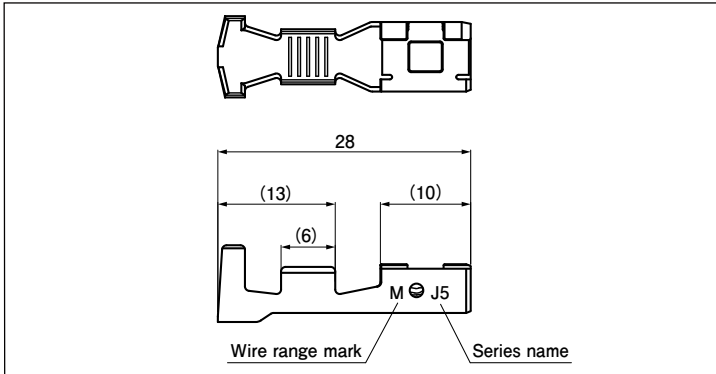
JFA CONNECTOR / J5000 SERIES

J5000 Series Products line-up

Type		11.0 mm pitch 600 V AC/DC	
		Wire-to-wire	
		Panel mounting Type	
Side locking type (Line pitch: 14.5 mm)	J5200 Single-row type		
	No. of circuits	2, 3	
	J5200 Dual-row Module type		
	No. of circuits	4, 6, 10	
Side locking type (Line pitch: 10.0 mm)	J5300 Dual-row Module type		
	No. of circuits	4	

JFA CONNECTOR / J5000 SERIES

Receptacle contact



Model No.		Wire range mark	Applicable wire			Q'ty	
Strip contact	Loose piece		mm ²	AWG #	Insulation O.D. (mm)	Reel	Box (Loose piece)
SJ5F-71(*)-M6.5	BJ5F-71(*)-M6.5	S	1.25 to 2.0	16 to 14	3.1 to 4.0	800	200
SJ5F-81(*)-M6.5	LJ5F-81(*)-M6.5	M	3.5 to 5.5	12 to 10	4.0 to 5.3	600	150
SJ5F-91(*)-M6.5	LJ5F-91(*)-M6.5	L	8.0	8	7.2 to 8.2	450	100

Material and Finish

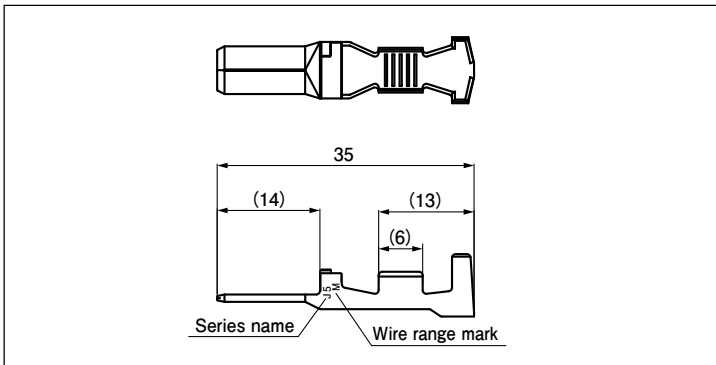
Copper alloy (superior conductivity), nickel-undercoated, selective gold-plated

RoHS2 compliance

Note: 1. Surface finish (*): GF...Nickel-undercoated, 0.38 μm selective gold-plated
GI ...Nickel-undercoated, 0.76 μm selective gold-plated

2. Please note that the above general specifications may differ from the safety standards.

Tab contact



Model No.		Wire range mark	Applicable wire			Q'ty	
Strip contact	Loose piece		mm ²	AWG #	Insulation O.D. (mm)	Reel	Box (Loose piece)
SJ5M-71(*)-M6.5	BJ5M-71(*)-M6.5	S	1.25 to 2.0	16 to 14	3.1 to 4.0	800	200
SJ5M-81(*)-M6.5	LJ5M-81(*)-M6.5	M	3.5 to 5.5	12 to 10	4.0 to 5.3	600	150
SJ5M-91(*)-M6.5	LJ5M-91(*)-M6.5	L	8.0	8	7.2 to 8.2	450	100

Material and Finish

Copper alloy (superior conductivity), nickel-undercoated, selective gold-plated

RoHS2 compliance

Note: 1. Surface finish (*): GF...Nickel-undercoated, 0.38 μm selective gold-plated
GI ...Nickel-undercoated, 0.76 μm selective gold-plated

2. Please note that the above general specifications may differ from the safety standards.

Crimping machine, Applicator

Strip contact Model No.	Crimping machine	Applicator	Crimp applicator with dies
SJ5F-71(*)-M6.5	AP-K2N	MKS-L-J5	APLMK SJ5F/M71-65
SJ5M-71(*)-M6.5			
SJ5F-81(*)-M6.5			APLMK SJ5F/M81-65
SJ5M-81(*)-M6.5			
SJ5F-91(*)-M6.5	AP-K6A	MKS-L-J5L	APLMK SJ5F/M91-65
SJ5M-91(*)-M6.5			

Note: Surface finish (*): GF...Nickel-undercoated, 0.38 μm selective gold-plated
GI ...Nickel-undercoated, 0.76 μm selective gold-plated

Loose piece contact	Hand tool
BJ5F-71(*)-M6.5	YRF-888
BJ5M-71(*)-M6.5	
LJ5F-81(*)-M6.5	YRF-889
LJ5M-81(*)-M6.5	
LJ5F-91(*)-M6.5	Battery operated type *BCT-860JFA
LJ5M-91(*)-M6.5	

Extraction tool for J5000 series: EJ-JFAJ5

Note: 1. Surface finish (*): GF...Nickel-undercoated, 0.38 μm selective gold-plated
GI ...Nickel-undercoated, 0.76 μm selective gold-plated

2. *Contact JST for BCT-860JFA.

Recognition mark

• Indication of plating

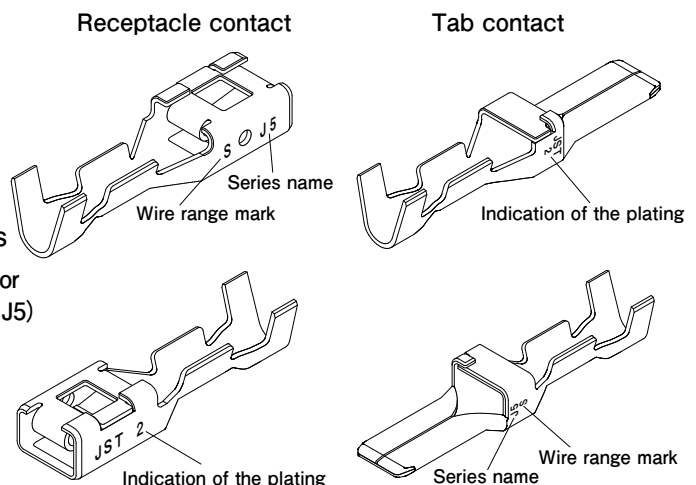
Each contact has a marking on its side so that the type or thickness of the plating is recognized.

- 2 ... gold-plated 0.38 μm thickness
- 3 ... gold-plated 0.76 μm thickness

• Common marking on the contact and its application tools

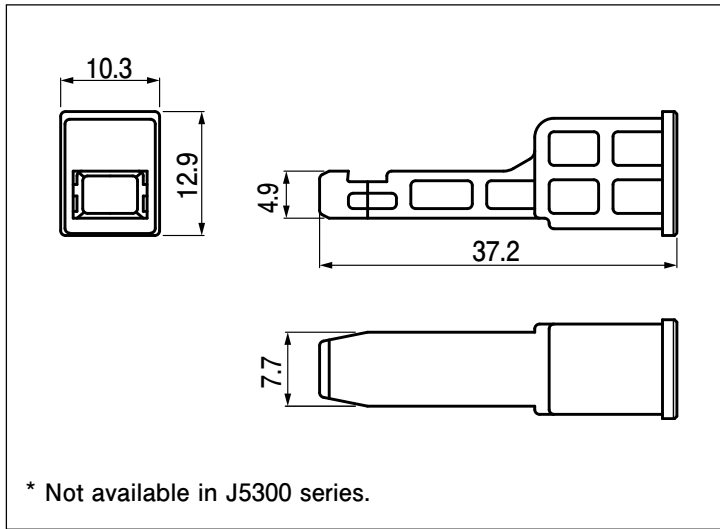
In order to avoid incorrect combination of the hand crimp tools or extraction tools and the contacts, the series name (for example J5) and wire range mark (S, M, L) are shown on both the tools and the contacts.

- J5 S ... AWG # 16 to # 14
- M ... AWG # 12 to # 10
- L ... AWG # 8



JFA CONNECTOR / J5000 SERIES

Keying plug

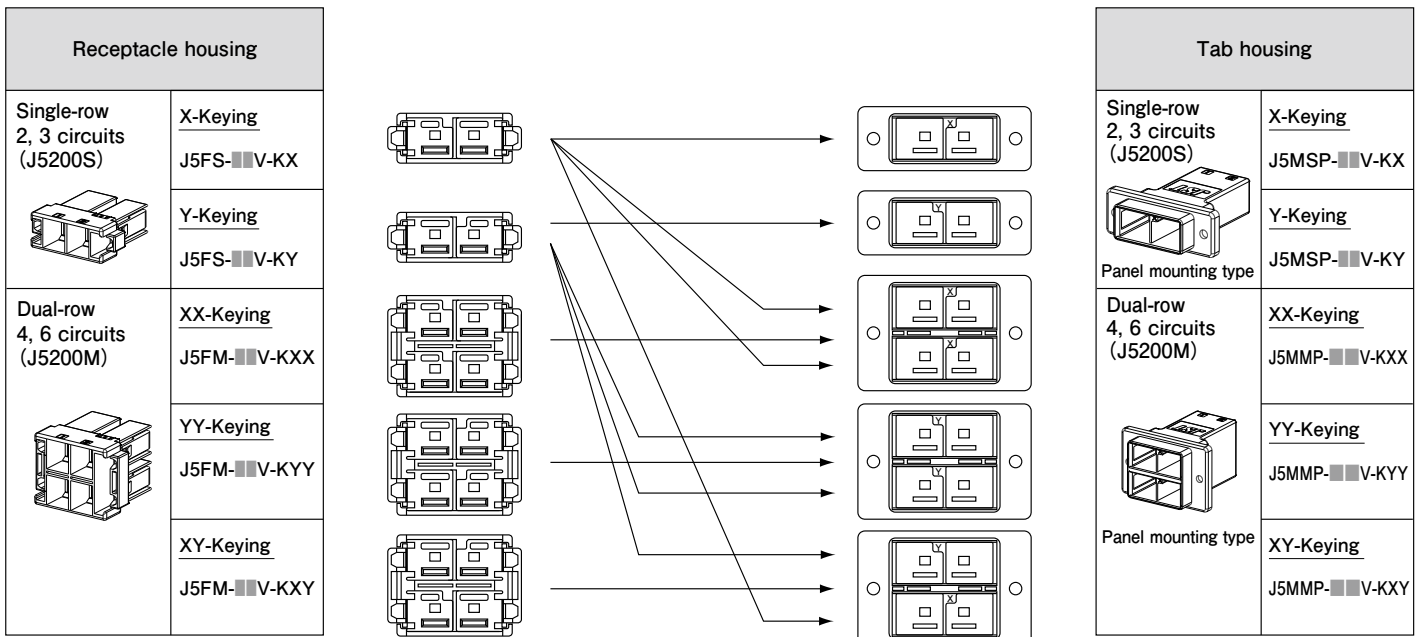


Model No.	Material
J5KP-VS	Glass-filled PBT, UL94V-0, white

RoHS2 compliance

List of combinations

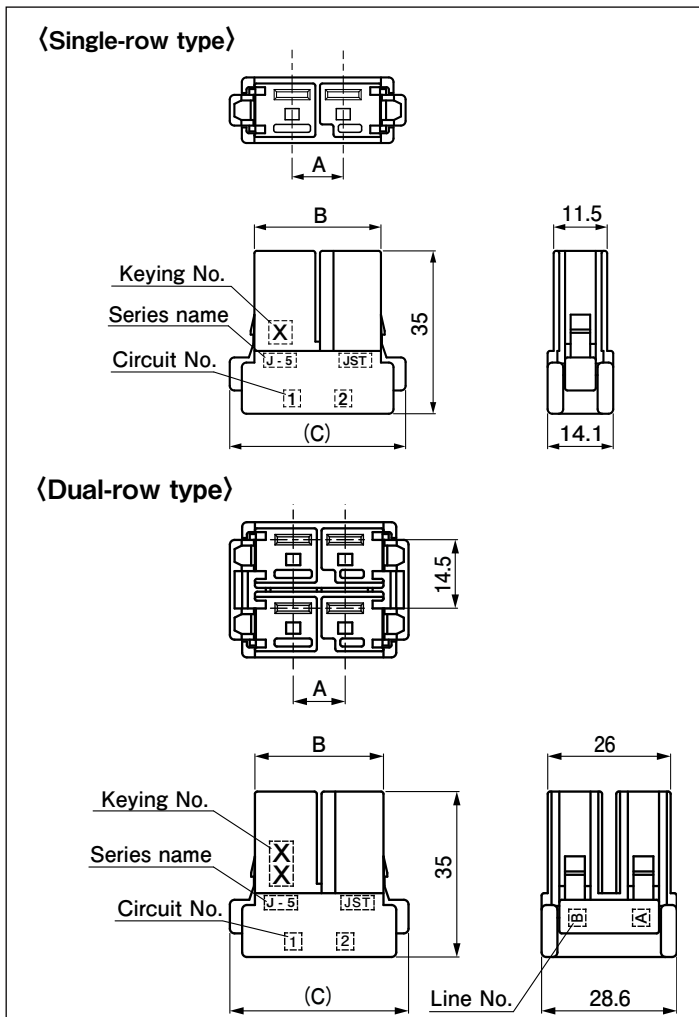
J5200 series is used in the combinations shown in the figure below.



Assembly layout

		When inserting a receptacle housing	When inserting two receptacle housings side by side as the module
Single-row type	Wire-to-wire		
Dual-row type	Wire-to-wire		

Receptacle housing



Type	No. of circuits	Keying	Model No.	Dimensions (mm)			Q'ty/box
				A	B	C	
Single-row type	2	X	J5FS-02V-KX	11.0	27.2	37.8	50 (bag)
		Y	J5FS-02V-KY	11.0	27.2	37.8	50 (bag)
	3	X	J5FS-03V-KX	22.0	38.2	48.8	50 (bag)
		Y	J5FS-03V-KY	22.0	38.2	48.8	50 (bag)
Dual-row type	4	XX	J5FM-04V-KXX	11.0	27.2	37.8	180
		YY	J5FM-04V-KYY	11.0	27.2	37.8	180
		XY	J5FM-04V-KXY	11.0	27.2	37.8	180
	6	XX	J5FM-06V-KXX	22.0	38.2	48.8	126
		YY	J5FM-06V-KYY	22.0	38.2	48.8	126
		XY	J5FM-06V-KXY	22.0	38.2	48.8	126
	10	XX	J5FM-10V-KXX	44.0	60.2	70.8	28
		YY	J5FM-10V-KYY	44.0	60.2	70.8	28

Material and Finish

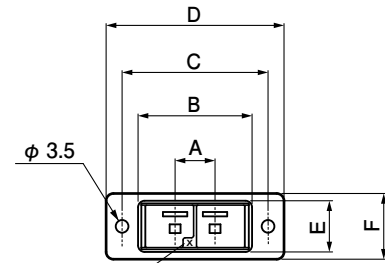
Glass-filled PBT, UL94V-0, black

RoHS2 compliance

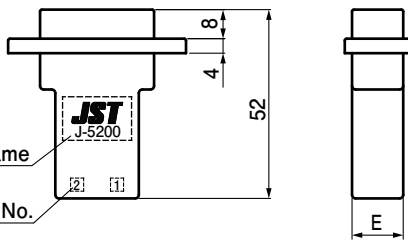
J5000 SERIES / J5200

Tab housing (Panel mounting type)

(Single-row type)



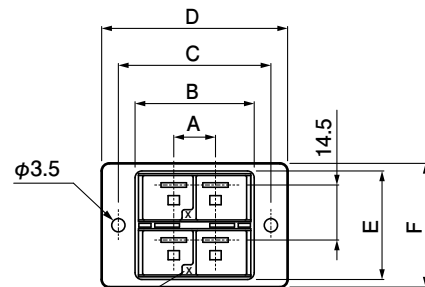
Keying No.



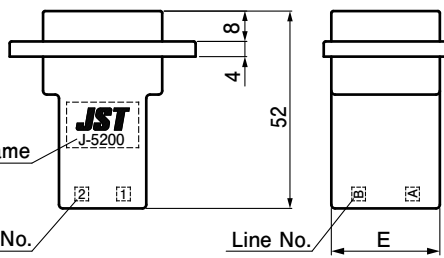
Series name

Circuit No.

(Dual-row type)



Keying No.

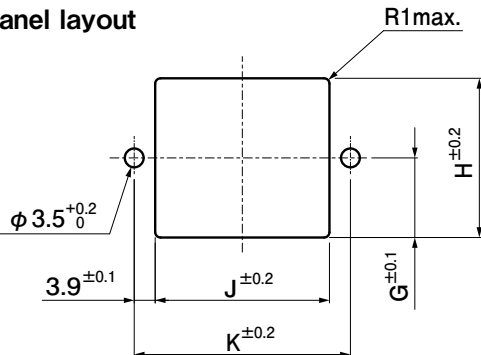


Series name

Circuit No.

Line No.

• Panel layout



Type	No. of circuits	Keying	Model No.	Dimensions (mm)						Q'ty /box
				A	B	C	D	E	F	
Single-row type	2	X	J5MSP-02V-KX	11.0	31.4	40.2	49.0	14.1	18.1	40 (bag)
		Y	J5MSP-02V-KY	11.0	31.4	40.2	49.0	14.1	18.1	40 (bag)
	3	X	J5MSP-03V-KX	22.0	42.4	51.2	60.0	14.1	18.1	40 (bag)
		Y	J5MSP-03V-KY	22.0	42.4	51.2	60.0	14.1	18.1	40 (bag)
Dual-row type	4	XX	J5MMP-04V-KXX	11.0	31.4	40.2	49.0	28.6	32.6	72
		YY	J5MMP-04V-KYY	11.0	31.4	40.2	49.0	28.6	32.6	72
		XY	J5MMP-04V-KXY	11.0	31.4	40.2	49.0	28.6	32.6	72
	6	XX	J5MMP-06V-KXX	22.0	42.4	51.2	60.0	28.6	32.6	63
		YY	J5MMP-06V-KYY	22.0	42.4	51.2	60.0	28.6	32.6	63
		XY	J5MMP-06V-KXY	22.0	42.4	51.2	60.0	28.6	32.6	63
	10	XX	J5MMP-10V-KXX	44.0	64.4	73.2	82.0	29.6	33.6	14
		YY	J5MMP-10V-KYY	44.0	64.4	73.2	82.0	29.6	33.6	14

Material and Finish

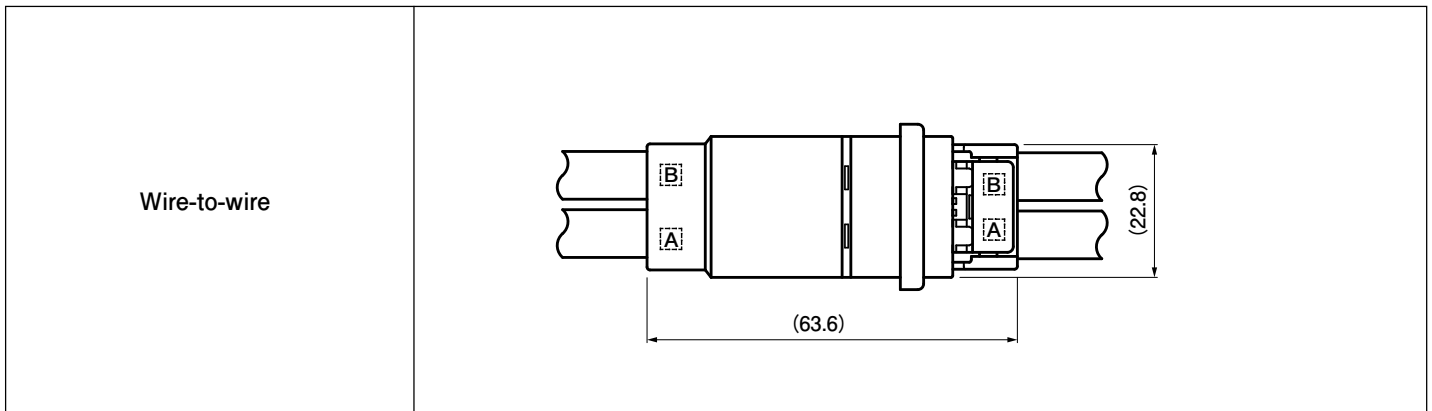
Glass-filled PBT, UL94V-0, black

RoHS2 compliance

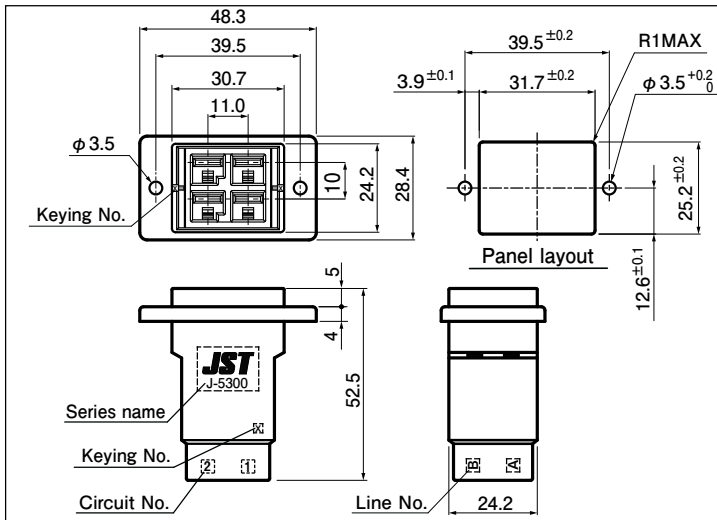
- Note: 1. Punch holes in the panel. Burrs must be removed.
 2. The strength of the panel must be considered when punching two or more holes.
 3. The connector must be inserted from the same side as the hole is punched.

Type	No. of circuits	Dimensions (mm)			
		G	H	J	K
Single-row type	2	7.55	15.1	32.4	40.2
	3	7.55	15.1	43.4	51.2
Dual-row type	4	14.8	29.6	32.4	40.2
	6	14.8	29.6	43.4	51.2
	10	15.3	30.6	65.4	73.2

Assembly layout



Receptacle housing (Reverse type Panel mounting type)



No. of circuits	Keying	Model No.	Q'ty/box
4	X	J53FDRP-04V-KX	36
	Y	J53FDRP-04V-KY	36
	Z	J53FDRP-04V-KZ	36

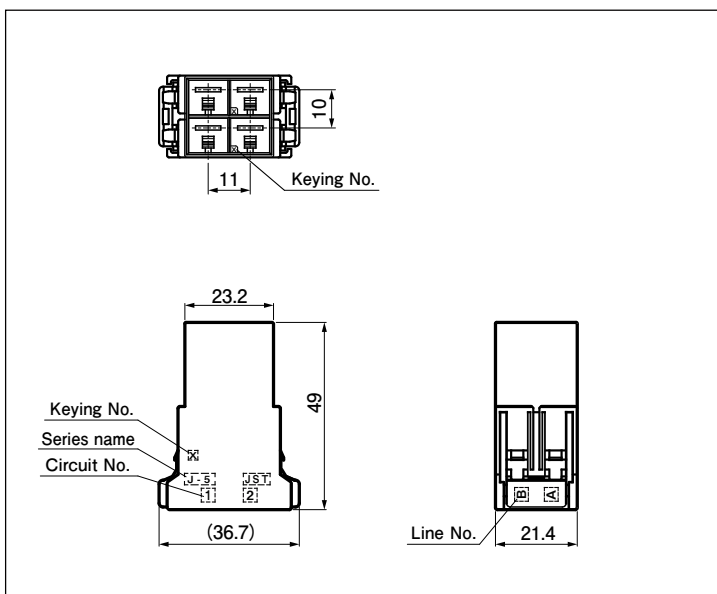
Material and Finish

Glass-filled PBT, UL94V-0, black

RoHS2 compliance

- Note: 1. Punch holes in the panel. Burrs must be removed.
 2. The strength of the panel must be considered when punching two or more holes.
 3. The connector must be inserted from the same side as the hole is punched.

Tab housing (Reverse type)



No. of circuits	Keying	Model No.	Q'ty/box
4	X	J53MDR-04V-KX	48
	Y	J53MDR-04V-KY	48
	Z	J53MDR-04V-KZ	48

Material and Finish

Glass-filled PBT, UL94V-0, black

RoHS2 compliance

JFA CONNECTOR / J5000 SERIES

Model number allocation

Receptacle contact

S J5 F - 71 GF - M 6.5

Form:
 S...Strip form
 B...Loose piece
 L...Loose piece with curled barrels

Series name

Type: F...Receptacle contact

Applicable wire range: 71...AWG #16 to #14
 81...AWG #12 to #10
 91...AWG #8

Surface finish:
 GF...Nickel-undercoated, 0.38 μm selective gold-plated
 GI...Nickel-undercoated, 0.76 μm selective gold-plated

Material: M...Copper alloy

Terminal size

Tab contact

S J5 M - 71 GF - M 6.5

Form:
 S...Strip form
 B...Loose piece
 L...Loose piece with curled barrels

Series name

Type: M...Tab contact

Applicable wire range: 71...AWG #16 to #14
 81...AWG #12 to #10
 91...AWG #8

Surface finish:
 GF...Nickel-undercoated, 0.38 μm selective gold-plated
 GI...Nickel-undercoated, 0.76 μm selective gold-plated

Material: M...Copper alloy

Terminal size

Receptacle housing

J53 F D RP - 04 V - K X

Series name

Type of connector: F...Receptacle housing

Rows: S...Single-row
 D...Dual-row
 M...Dual-row Module

Mounting arrangement:
 None...Normal type
 RP...Reverse type Panel mounting

No. of circuits

Flammability: UL94V-0

Color: K...Black

Keying: X...X-Keying, Y...Y-Keying, Z...Z-Keying
 XX...XX-Keying, YY...YY-Keying, XY...XY-Keying

Tab housing

J53 M D R - 04 V - K X

Series name

Type of connector: M...Tab housing

Rows: S...Single-row
 D...Dual-row
 M...Dual-row Module

Mounting arrangement:
 P...Normal type Panel mounting
 R...Reverse type Panel mounting

No. of circuits

Flammability: UL94V-0

Color: K...Black

Keying: X...X-Keying, Y...Y-Keying, Z...Z-Keying
 XX...XX-Keying, YY...YY-Keying, XY...XY-Keying