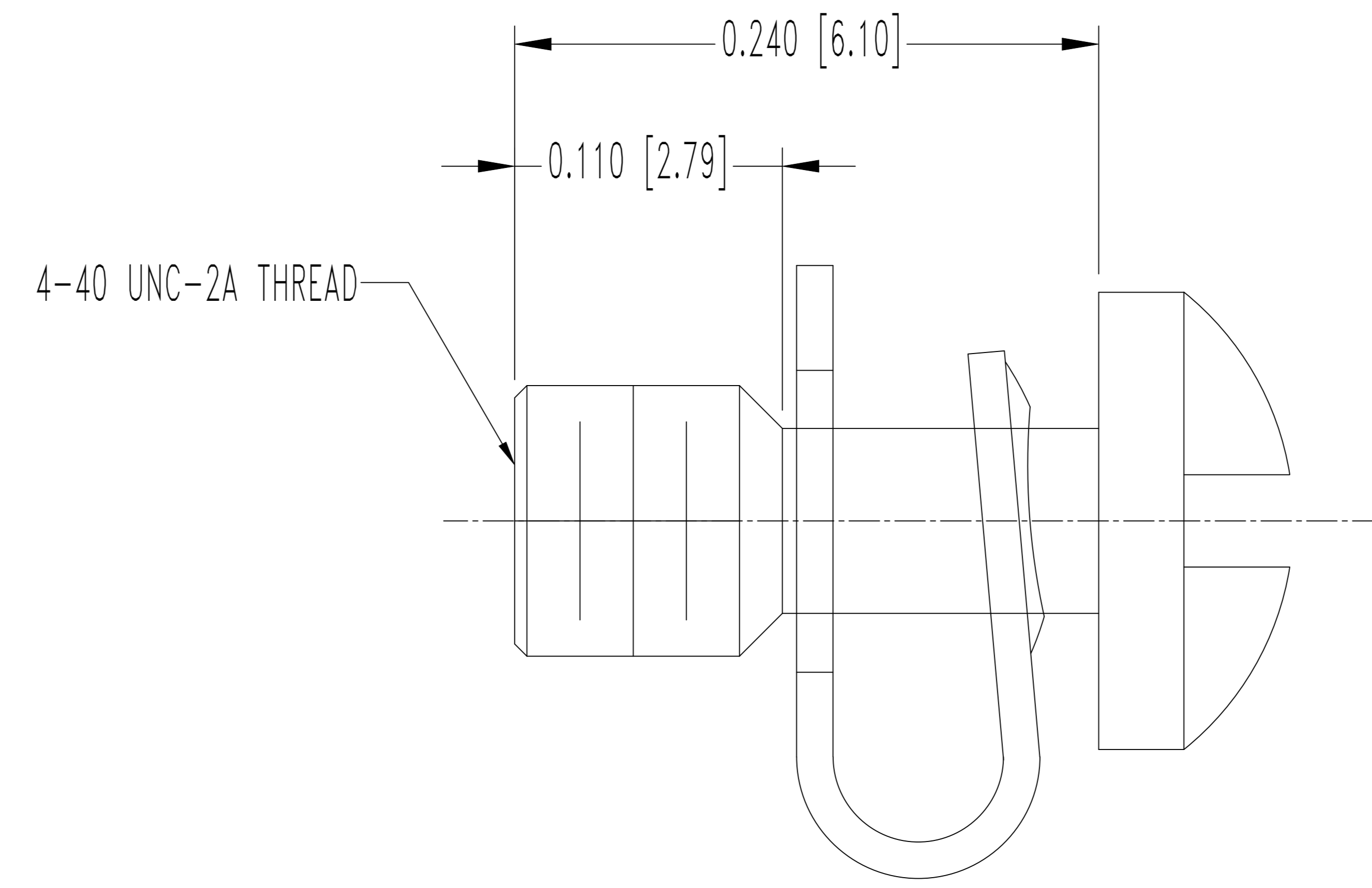
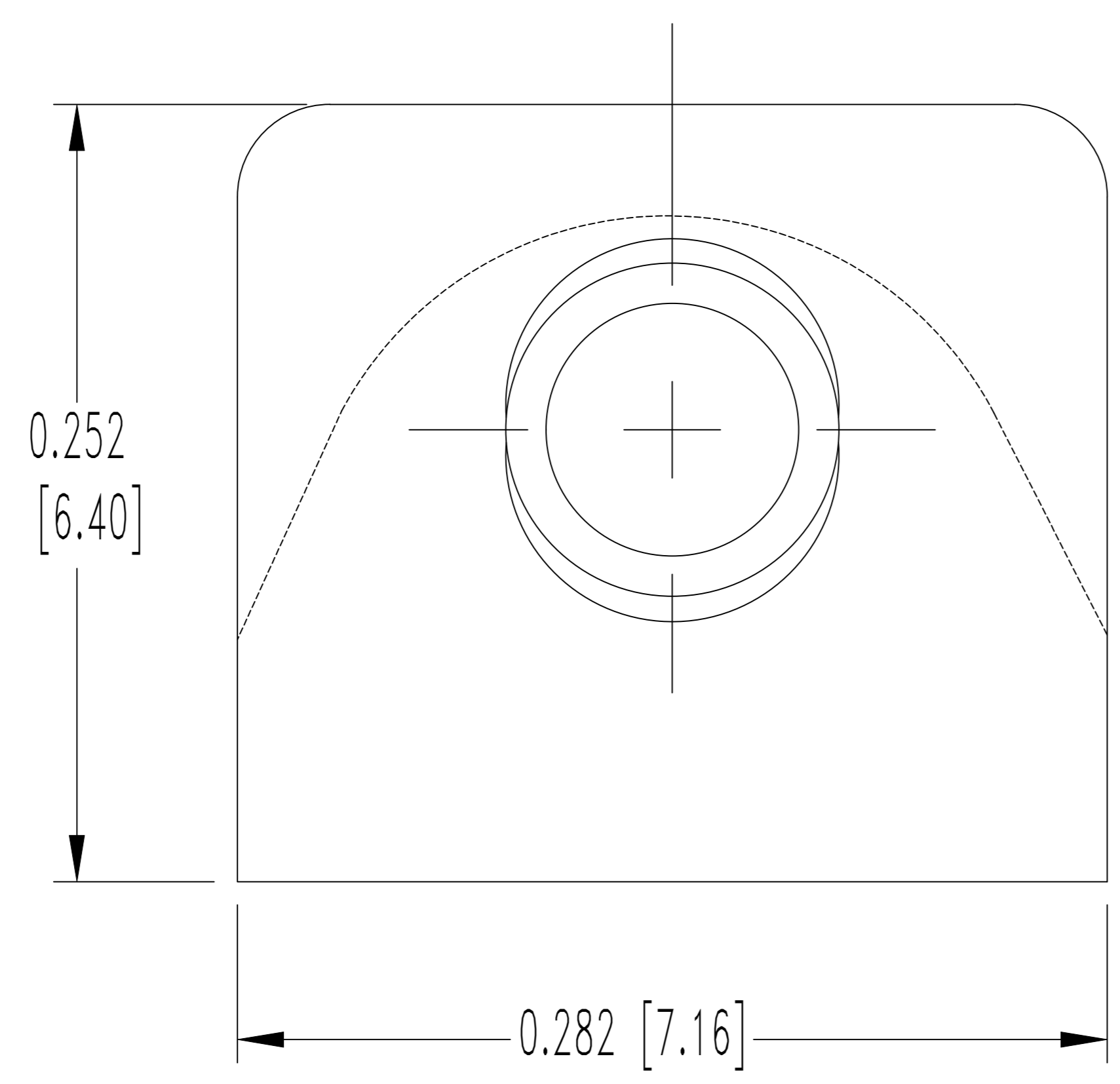


SK5266

THIS DRAWING CONTAINS INFORMATION PROPRIETARY TO POSITRONIC AND IT'S SUBSIDIARIES. POSITRONIC BELIEVES THE DATA ON THIS DRAWING TO BE RELIABLE. SINCE THE TECHNICAL INFORMATION IS GIVEN FREE OF CHARGE, THE USER EMPLOYS SUCH INFORMATION AT HIS OWN DISCRETION AND RISK. POSITRONIC ASSUMES NO RESPONSIBILITY FOR RESULTS OBTAINED OR DAMAGES INCURRED FROM USE OF SUCH INFORMATION IN WHOLE OR IN PART.

DATE	REV	REVISION RECORD	APP	DR	CK
12-30-03	NC	ECO 21850		ME	



NOTES:

- MATERIALS AND FINISHES:
 CAPTIVE SCREW: STEEL, ZINC PLATE WITH DICHROMATE SEAL.
 U-CLIP: SPRING STEEL, ZINC PLATE WITH DICHROMATE SEAL.
- PARTS TO BE SUPPLIED IN QUANTITIES OF 2 EACH.
- DIMENSIONS ARE IN INCHES [MILLIMETERS].

	POSITRONIC INDUSTRIES INC. SPRINGFIELD, MISSOURI 65801	
	SCALE: N.T.S.	DRAWN BY: M. ENEA
DECIMAL TOL. ± 0.015 [0.38]	TITLE: D00000E20	
ANGULAR TOL. ± 5°	DATE: 12-30-03	DRAWING NUMBER: SK5266
		REV. NC