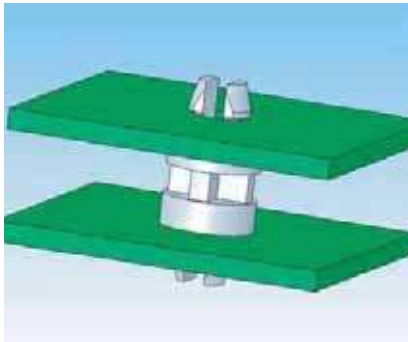


## SP/DLMSP Support Post



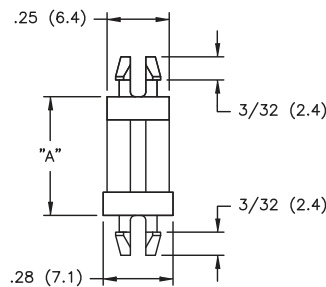
### Features

- Both ends lock permanently
- One piece design eliminates the need for screws, nuts and washers

**SP1**

**Top Hole:** Snap-lock:  $.156 \pm .003$  ( $4.00 \pm 0.08$ )  
**Panel Thickness:**  $.062$  (1.57)

**Fig. 1**

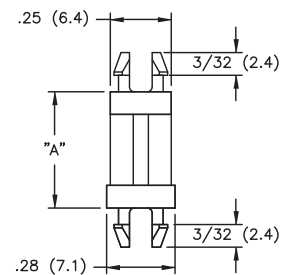


**Bottom Hole:** Snap-lock:  $.156 \pm .003$  ( $4.00 \pm 0.08$ )  
**Panel Thickness:**  $.062$  (1.57)

**SP2**

**Top Hole:** Snap-lock:  $.187 \pm .003$  ( $4.75 \pm 0.08$ )  
**Panel Thickness:**  $.062$  (1.57)

**Fig. 2**

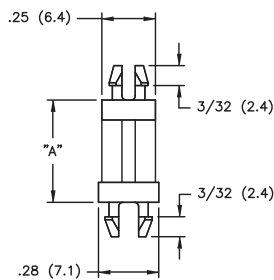


**Bottom Hole:** Snap-lock:  $.187 \pm .003$  ( $4.75 \pm 0.08$ )  
**Panel Thickness:**  $.062$  (1.57)

**SP3**

**Top Hole:** Snap-lock:  $.156 \pm .003$  ( $4.00 \pm 0.08$ )  
**Panel Thickness:**  $.062$  (1.57)

**Fig. 3**

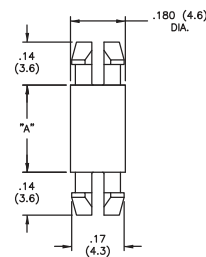


**Bottom Hole:** Snap-lock:  $.187 \pm .003$  ( $4.75 \pm 0.08$ )  
**Panel Thickness:**  $.062$  (1.57)

**DLMSP**

**Top Hole:** Snap-lock:  $.152 \pm .002$  ( $3.86 \pm 0.05$ )  
**Panel Thickness:**  $.062$  (1.57)

**Fig. 4**

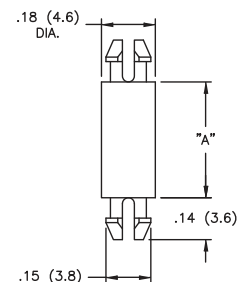


**Bottom Hole:** Snap-lock:  $.152 \pm .002$  ( $3.86 \pm 0.05$ )  
**Panel Thickness:**  $.062$  (1.57)

**DLMSPM**

**Top Hole:** Snap-lock:  $.125 \pm .002$  ( $3.18 \pm 0.05$ )  
**Panel Thickness:**  $.062$  (1.57)

**Fig. 5**



**Bottom Hole:** Snap-lock:  $.125 \pm .002$  ( $3.18 \pm 0.05$ )  
**Panel Thickness:**  $.062$  (1.57)

SP1 (FIG 1)	SP2 (FIG 2)	SP3 (FIG 3)	DLMSP (FIG 4)	DLMSPM (FIG 5)	Standard Pack: 1,000 per bag
Mat'l: Nylon 6/6, RMS-01* Color: Natural	Mat'l: Nylon 6/6, RMS-01* Color: Natural	Mat'l: Nylon 6/6, RMS-01* Color: Natural	Mat'l: Nylon 6/6, RMS-01* Color: Natural	Mat'l: Nylon 6/6, RMS-01* Color: Natural	Standoff Height "A" $\pm .015$ (0.4)
Not Available	Not Available	Not Available	DLMSP-2-01	DLMSPM-2-01	1/8 (3.2)
SP1-3-01	SP2-3-01	SP3-3-01	DLMSP-3-01	DLMSPM-3-01	3/16 (4.8)
SP1-4-01	SP2-4-01	SP3-4-01	DLMSP-4-01	DLMSPM-4-01	1/4 (6.4)
Special Order	Special Order	Special Order	DLMSP-5-01	DLMSPM-5-01	5/16 (7.9)
SP1-6-01	SP2-6-01	SP3-6-01	DLMSP-6-01	DLMSPM-6-01	3/8 (9.5)
Special Order	Special Order	Special Order	DLMSP-7-01	DLMSPM-7-01	7/16 (11.1)
SP1-8-01	SP2-8-01	SP3-8-01	DLMSP-8-01	DLMSPM-8-01	1/2 (12.7)
Special Order	Special Order	Special Order	DLMSP-9-01	DLMSPM-9-01	9/16 (14.3)
SP1-10-01	SP2-10-01	SP3-10-01	DLMSP-10-01	DLMSPM-10-01	5/8 (15.9)
SP1-12-01	SP2-12-01	SP3-12-01	DLMSP-12-01	DLMSPM-12-01	3/4 (19.1)
SP1-14-01	SP2-14-01	SP3-14-01	DLMSP-14-01	DLMSPM-14-01	7/8 (22.2)
SP1-16-01	SP2-16-01	SP3-16-01	DLMSP-16-01	DLMSPM-16-01	1 (25.4)
SP1-18-01	Special Order	Special Order	DLMSP-18-01	DLMSPM-18-01	1-1/8 (28.6)
Special Order	Special Order	Special Order	DLMSP-20-01	DLMSPM-20-01	1-1/4 (31.7)
Special Order	Special Order	Special Order	DLMSP-22-01	DLMSPM-22-01	1-3/8 (34.9)
Special Order	Special Order	Special Order	DLMSP-24-01	DLMSPM-24-01	1-1/2 (38.1)

\*Parts are available in UL94 V0 material. To order, replace -01 with -19.