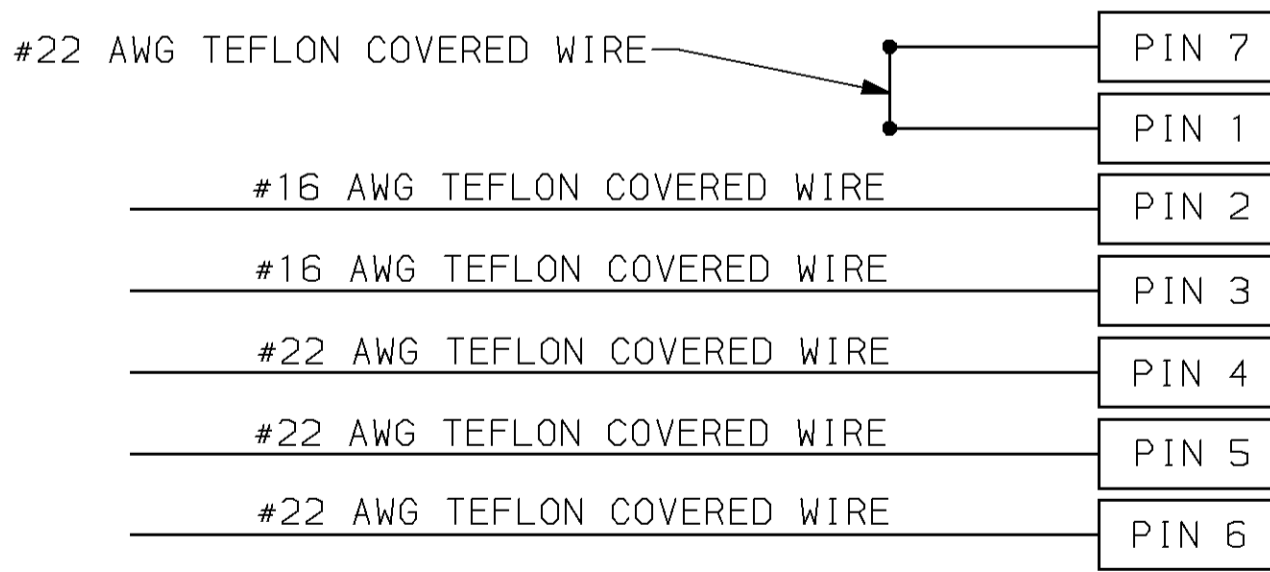
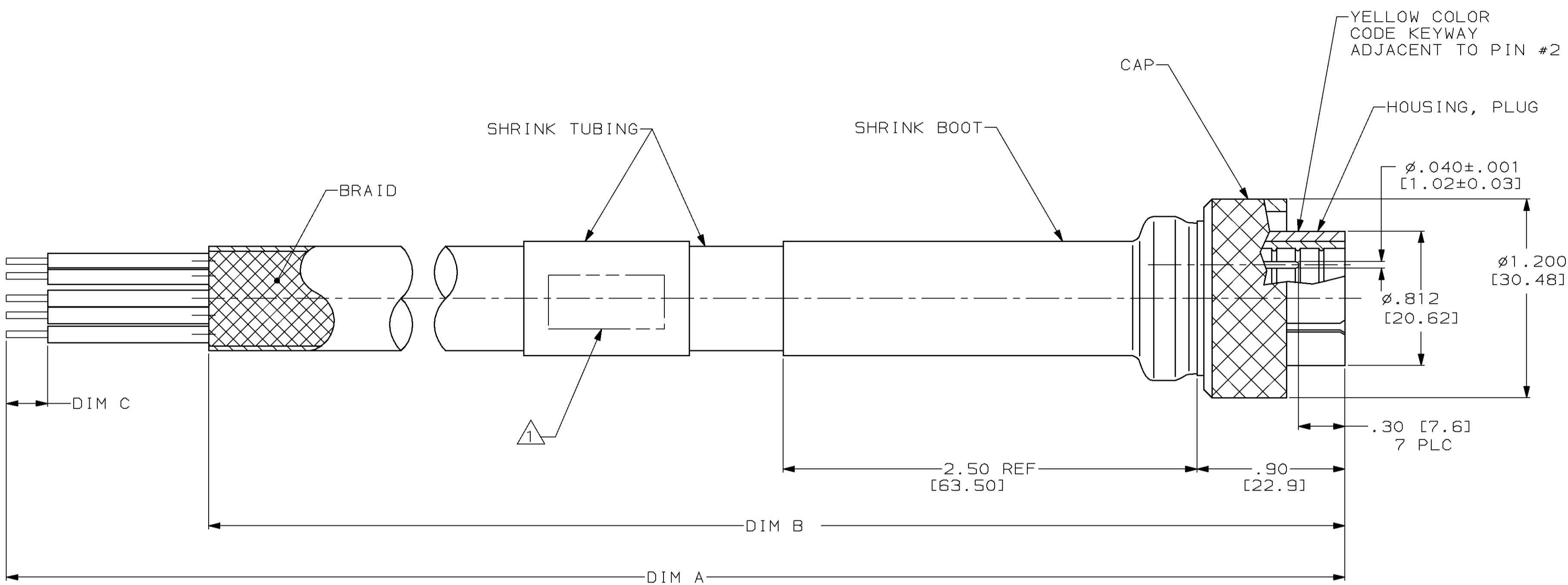


Loc		DIST		P		F		ZONE		LTR		REVISIONS		DATE	APPD
DF		SO								K		DESCRIPTION			
												REV & REDRAWN; 0600-7132-98	CT	11-98	DE



SCHMATIC

OBSOLETE	-	144.00 [3657.6]	144.00 [3657.6]	862800-5
	-	120.00 [3048.0]	120.00 [3048.0]	862800-4
	.25 [6.4]	40.00 [1016.0]	43.00 [1092.2]	862800-3
OBSOLETE	.25 [6.4]	37.00 [939.8]	40.00 [1016.0]	862800-2
OBSOLETE	.25 [6.4]	15.25 [387.3]	18.25 [463.5]	862800-1

- ① MARKED IN THIS AREA.
- 2. PLUG TO MATE WITH AMP PART NO. 862004 RECEPTACLE.
- ③ TOLERANCE: UP TO 24.00" [609.6] = ±.12 [3.0]
24.00" [609.6] & UP = ±1%

DO NOT SCALE PRINT. UNLESS SPECIFIED DIMENSIONS IN INCHES [mm] TOLERANCES ON : 2 PLC DEC ± .02 [0.5] 3 PLC DEC ± .005 [0.13] ANGLES ± -	DR 11-6-98 C.C. THOMAS	AMP INCORPORATED Harrisburg, Pa. 17105			
	CHK 11-9-98 D.EABY				
MATERIAL -	APPD 11-9-98 D.EABY	NAME PLUG & CABLE ASSEMBLY, 7 PIN, SHIELDED, LGH			
FINISH -	RLSE 11-9-98 C.C. THOMAS	SIZE C	FSCM NO 00779	DRAWING NO 862800	
	PRODUCT SPEC -	SCALE 2:1		SHEET 1 OF 1	
	APPLICATION SPEC -				
	WEIGHT -				